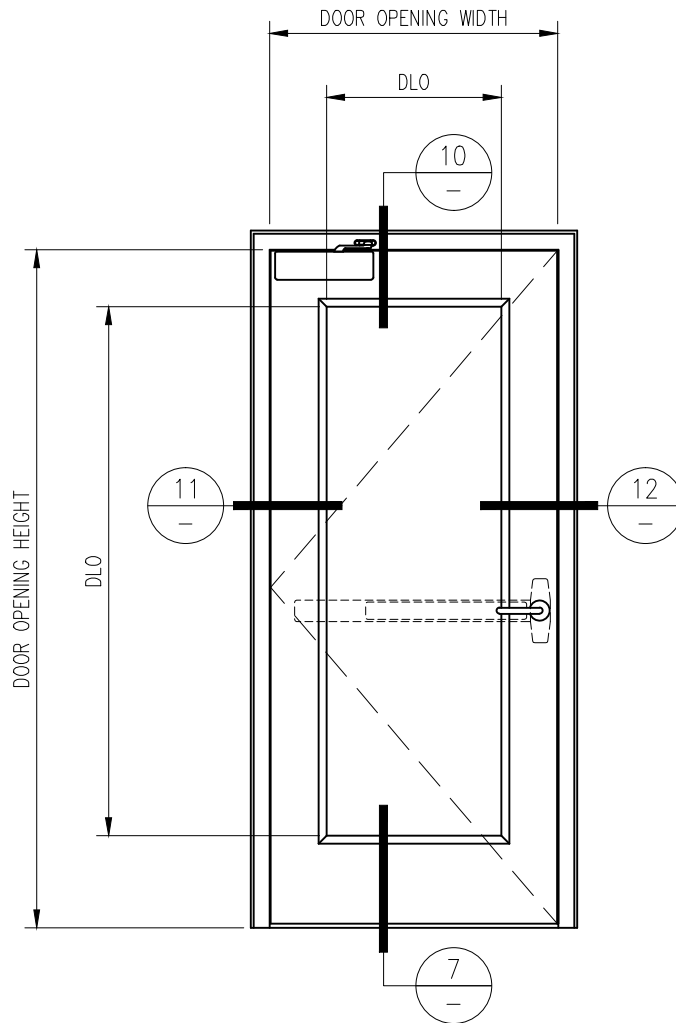


# 90 MINUTE TEMPERATURE RISE SINGLE DOOR

## -EXTERIOR APPLICATION-

For more details, please visit [www.safti.com](http://www.safti.com)



**SAFTIFIRST™**  
 FIRE RATED GLAZING SOLUTIONS *Since 1982*  
 100 N. HILL DR. SUITE 12 TEL: (415) 824-4900  
 BRISBANE, CA 94005 FAX: (415) 824-5900

**SuperLite™ II-XL**  
**GPX BUILDERS SERIES**  
 TEMPERATURE RISE

DATE:

DRAWN:

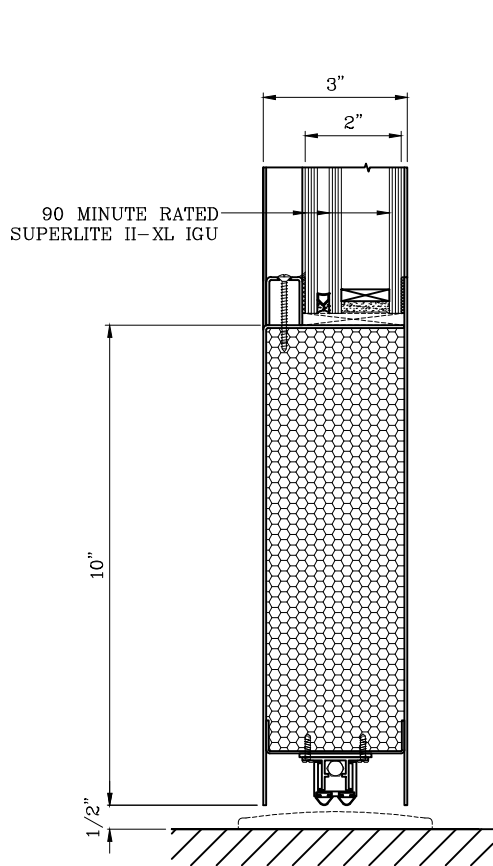
SCALE:

These details are subject to change without notice.

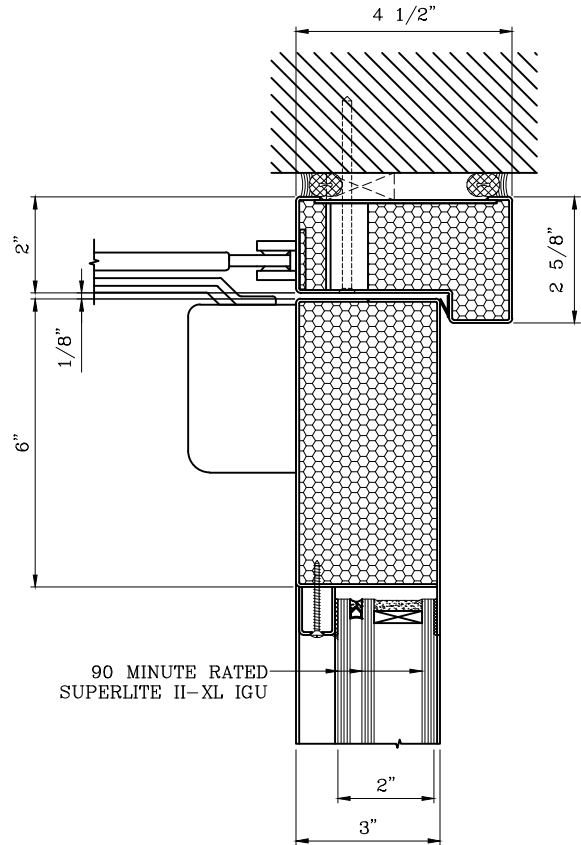
# 90 MINUTE TEMPERATURE RISE SINGLE DOOR

## -EXTERIOR APPLICATION-

For more details, please visit [www.safti.com](http://www.safti.com)



7 DOOR BOTTOM RAIL DETAIL



10 DOOR TOP RAIL DETAIL

**SAFTIFIRST™**  
 FIRE RATED GLAZING SOLUTIONS *Since 1982*  
 100 N. HILL DR. SUITE 12 TEL: (415) 824-4900  
 BRISBANE, CA 94005 FAX: (415) 824-5900

**SuperLite™ II-XL**  
**GPX BUILDERS**  
**SERIES**  
 TEMPERATURE RISE

DATE:

DRAWN:

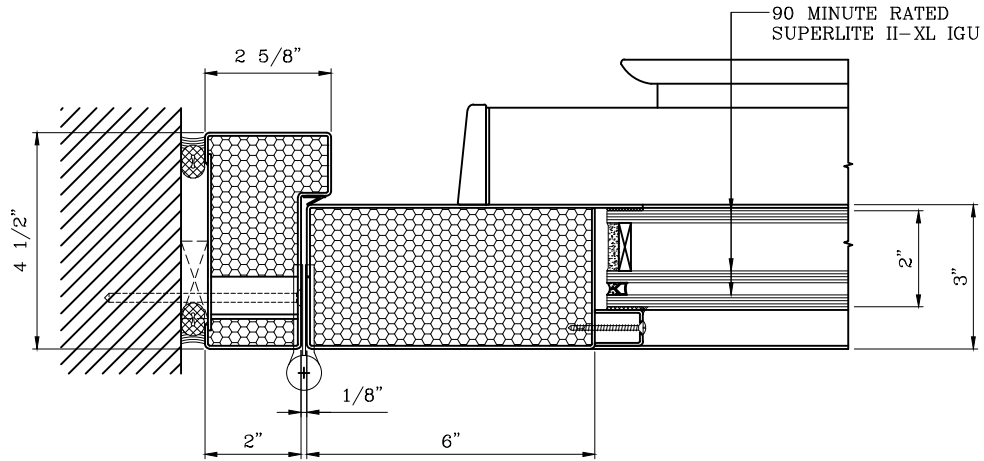
SCALE:

These details are subject to change without notice.

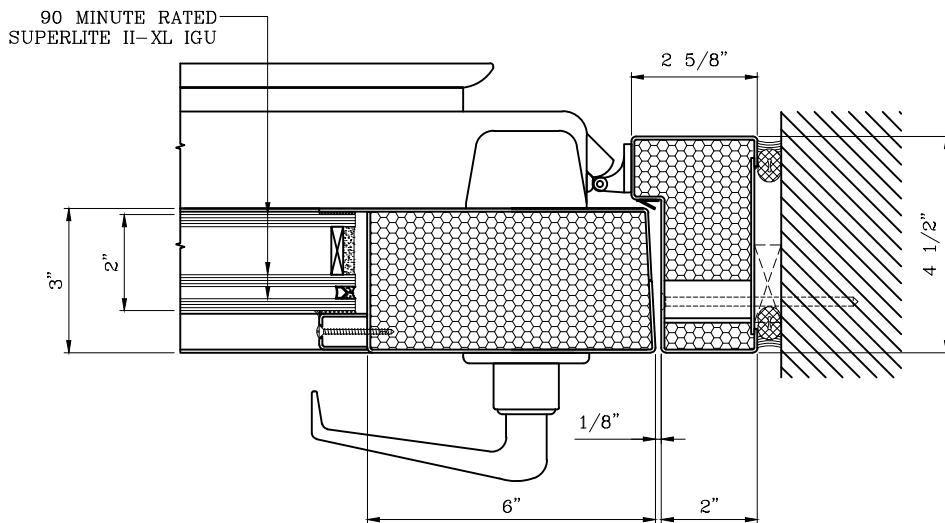
# 90 MINUTE TEMPERATURE RISE SINGLE DOOR

## - EXTERIOR APPLICATION -

For more details, please visit [www.safti.com](http://www.safti.com)



11 DOOR JAMB at HINGE DETAIL



12 DOOR JAMB at LOCK DETAIL

**SAFTIFIRST™**  
 FIRE RATED GLAZING SOLUTIONS *Since 1982*  
 100 N. HILL DR. SUITE 12 TEL: (415) 824-4900  
 BRISBANE, CA 94005 FAX: (415) 824-5900

**SuperLite™ II-XL**  
**GPX BUILDERS**  
**SERIES**  
 TEMPERATURE RISE

DATE:

DRAWN:

SCALE:

These details are subject to change without notice.