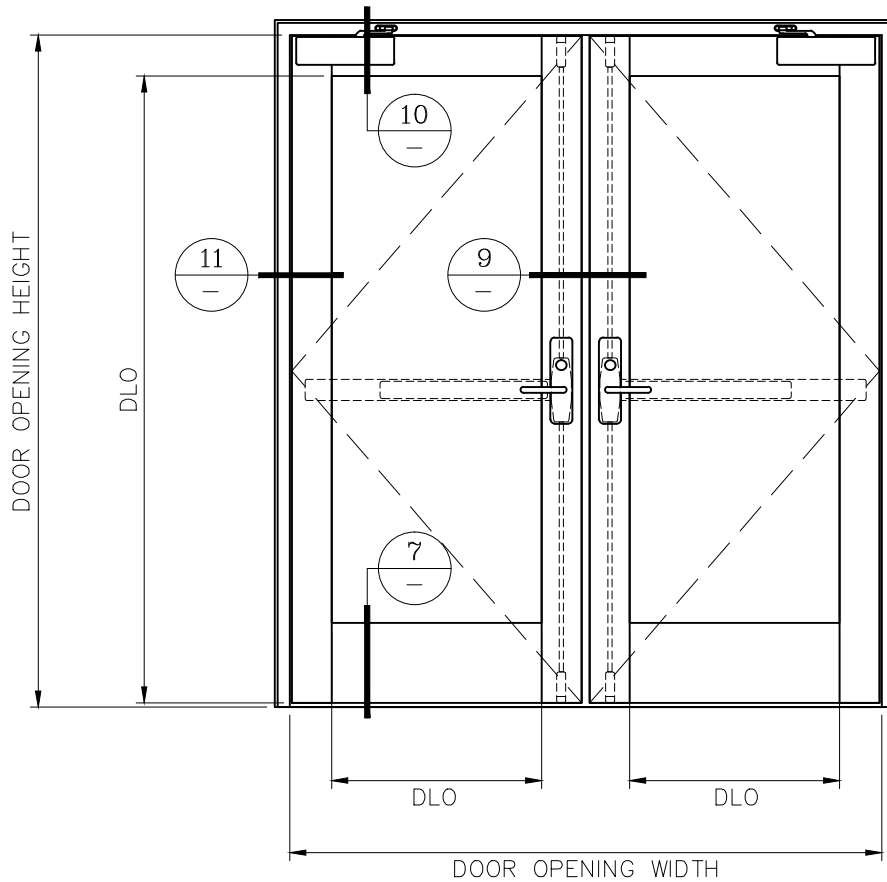


60 MINUTE FIRE RESISTIVE GPX DOOR PAIR

- INTERIOR APPLICATION -

For more details, please visit www.safti.com



SAFTIFIRST™
 FIRE RATED GLAZING SOLUTIONS *Since 1982*
 100 N. HILL DR. SUITE 12 TEL: (415) 824-4900
 BRISBANE, CA 94005 FAX: (415) 824-5900

SuperLite™ II-XLM
GPX ARCHITECTURAL
S E R I E S

DATE:

DRAWN:

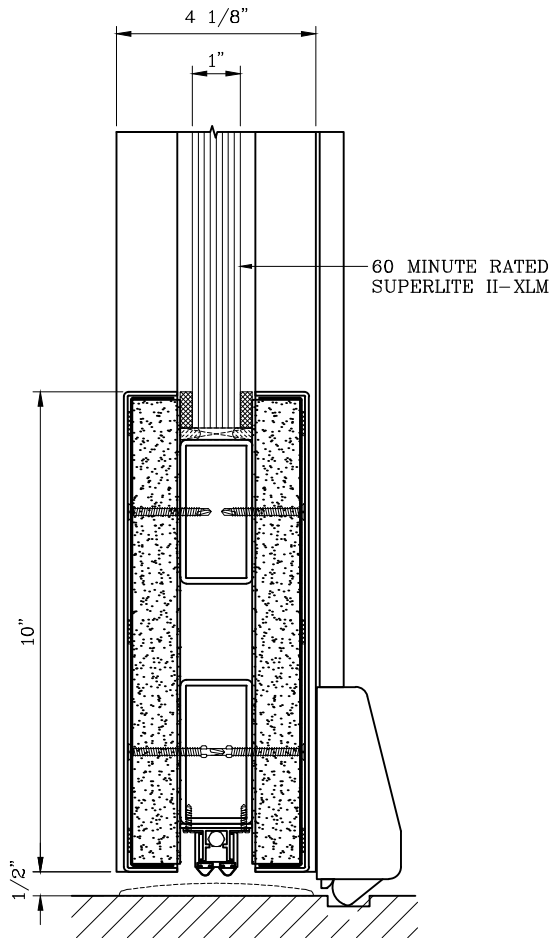
SCALE: NOT TO SCALE

These details are subject to change without notice.

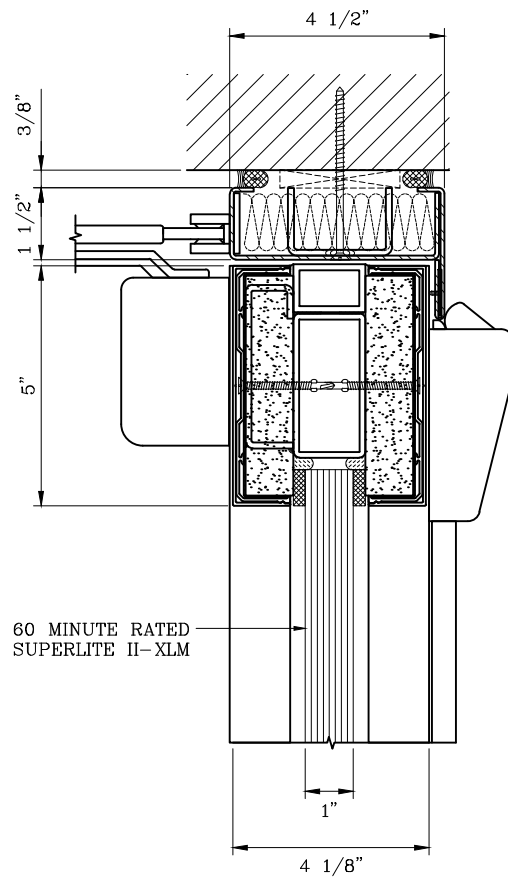
60 MINUTE FIRE RESISTIVE GPX DOOR PAIR

- INTERIOR APPLICATION -

For more details, please visit www.safti.com



7 DOOR BOTTOM RAIL DETAIL



10 DOOR TOP RAIL DETAIL

SAFTIFIRST™
 FIRE RATED GLAZING SOLUTIONS Since 1982
 100 N. HILL DR. SUITE 12 TEL: (415) 824-4900
 BRISBANE, CA 94005 FAX: (415) 824-5900

SuperLite™ II-XLM
GPX ARCHITECTURAL
SERIES

DATE:

DRAWN:

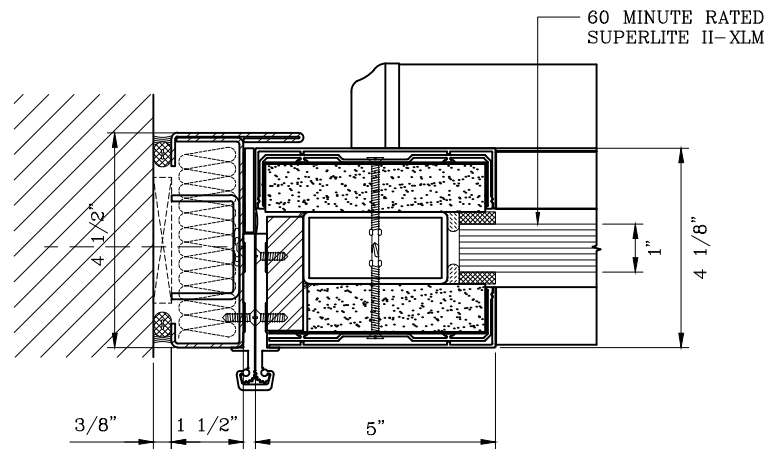
SCALE: NOT TO SCALE

These details are subject to change without notice.

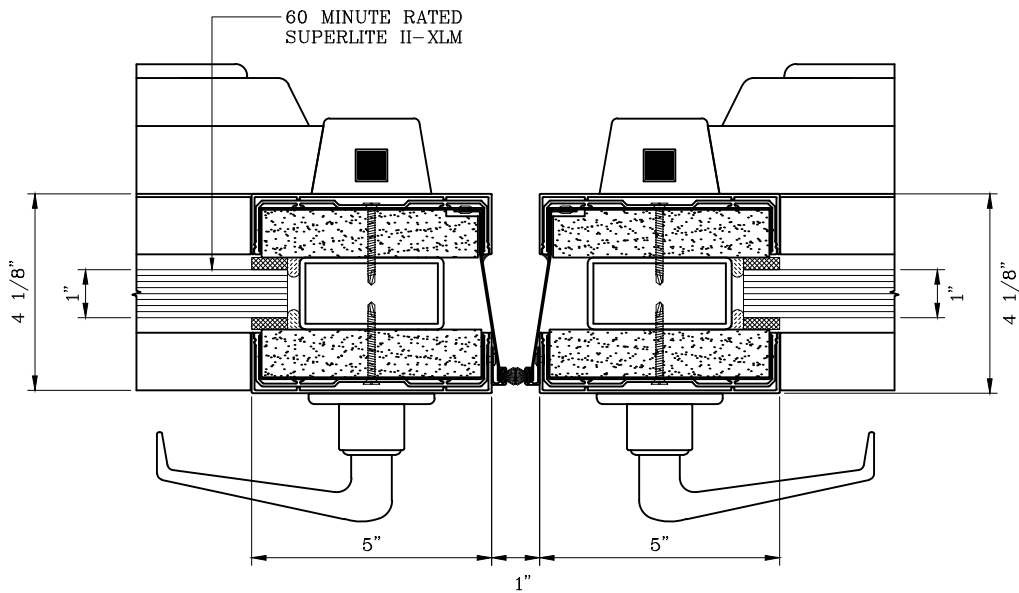
60 MINUTE FIRE RESISTIVE GPX DOOR PAIR

- INTERIOR APPLICATION -

For more details, please visit www.safti.com



11 DOOR JAMB at HINGE



9 DOOR MEETING STILES DETAIL

SAFTIFIRST™
 FIRE RATED GLAZING SOLUTIONS Since 1982
 100 N. HILL DR. SUITE 12 TEL: (415) 824-4900
 BRISBANE, CA 94005 FAX: (415) 824-5900

SuperLite™ II-XLM
GPX ARCHITECTURAL
SERIES

DATE:

DRAWN:

SCALE: NOT TO SCALE

These details are subject to change without notice.