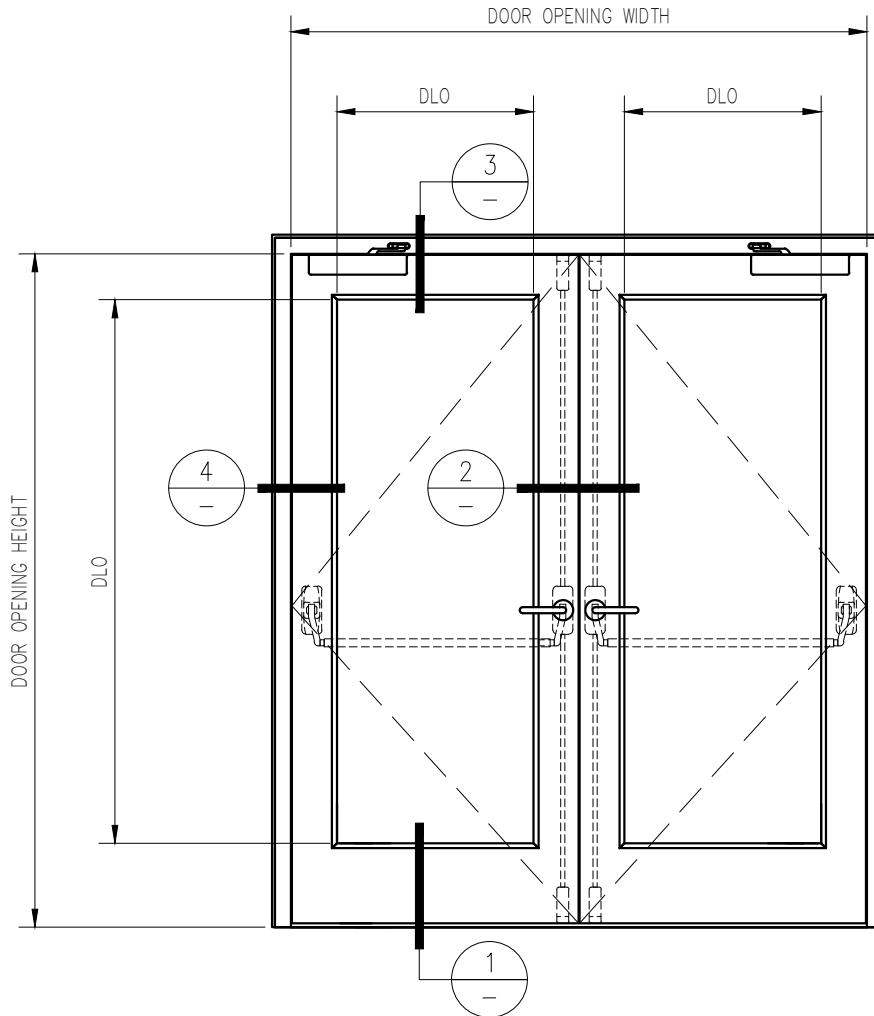


45 MINUTE FIRE PROTECTIVE DOOR PAIR WITH SUPERCLEAR 45-HS-LI

—EXTERIOR APPLICATION—

For more details, please visit www.safti.com



SAFTIFIRST™
FIRE RATED GLAZING SOLUTIONS *Since 1981*
100 N. HILL DR. SUITE 12 TEL: (415) 824-4900
BRISBANE, CA 94005 FAX: (415) 824-5900

SuperClear 45-HS-LI
Patent Pending
GPX BUILDERS SERIES
FIRE PROTECTIVE

DATE:

DRAWN:

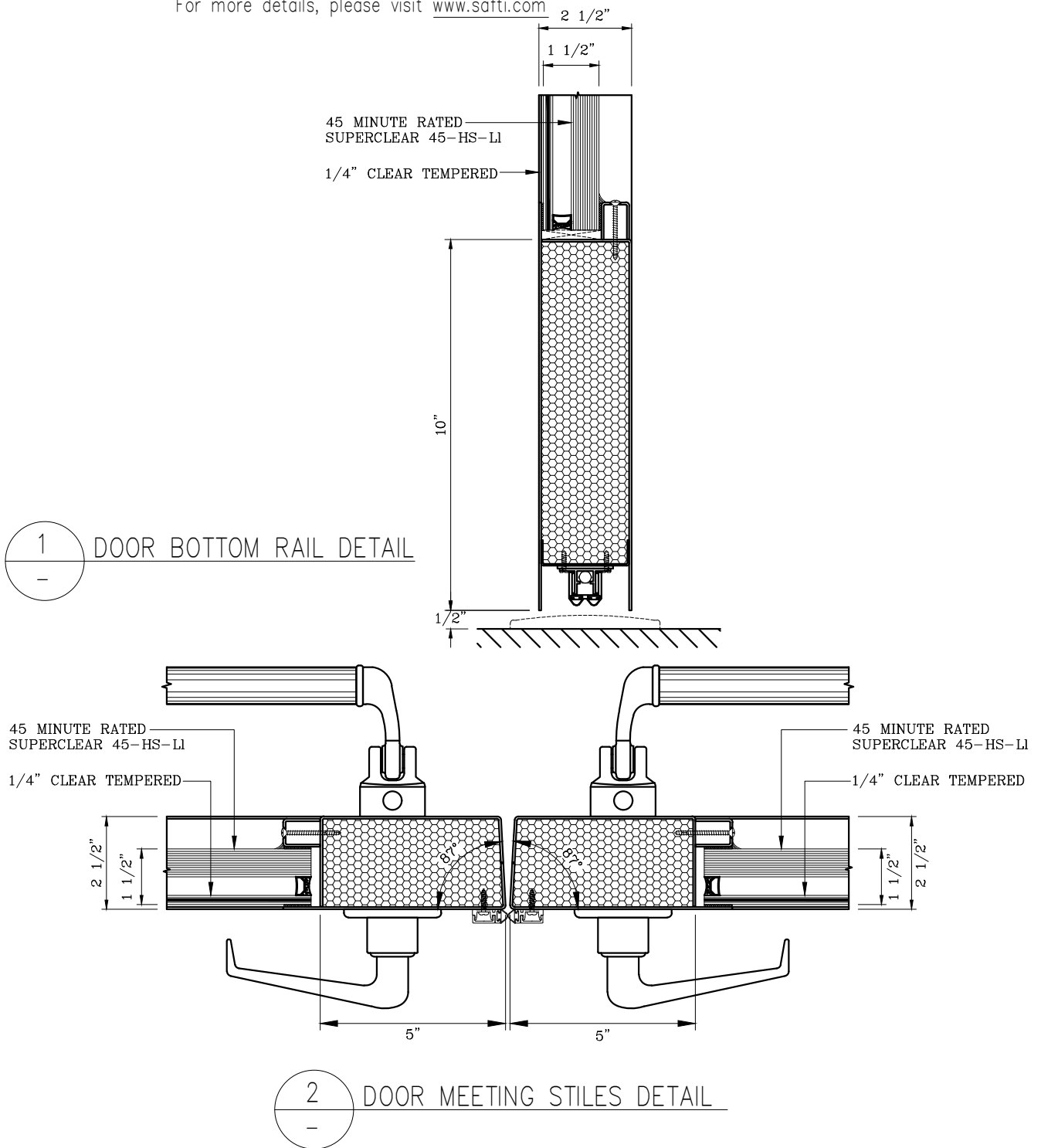
SCALE:

These details are subject to change without notice.

45 MINUTE FIRE PROTECTIVE DOOR PAIR WITH SUPERCLEAR 45-HS-LI

-EXTERIOR APPLICATION-

For more details, please visit www.safti.com



SAFTIFIRST™
FIRE RATED GLAZING SOLUTIONS Since 1981
100 N. HILL DR. SUITE 12 TEL: (415) 824-4900
BRISBANE, CA 94005 FAX: (415) 824-5900

SuperClear 45-HS-LI
Patent Pending
GPX BUILDERS SERIES
FIRE PROTECTIVE

DATE:

DRAWN:

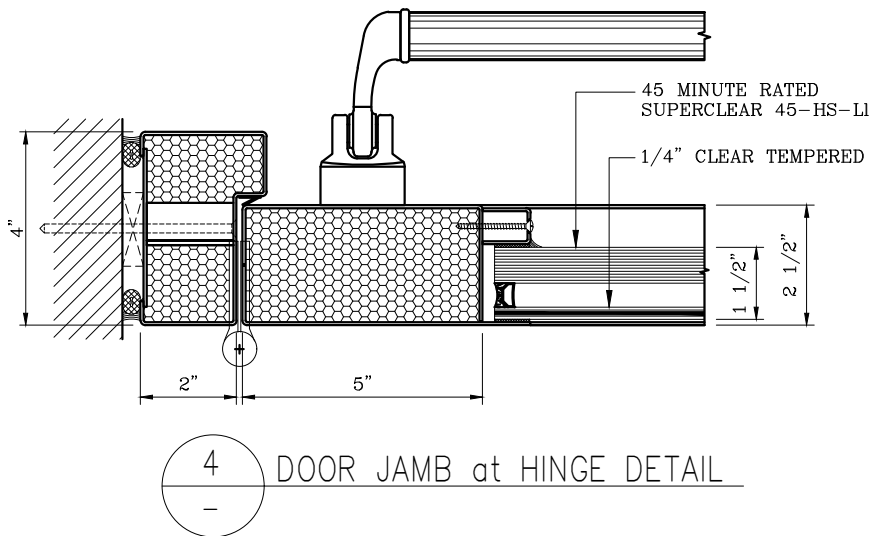
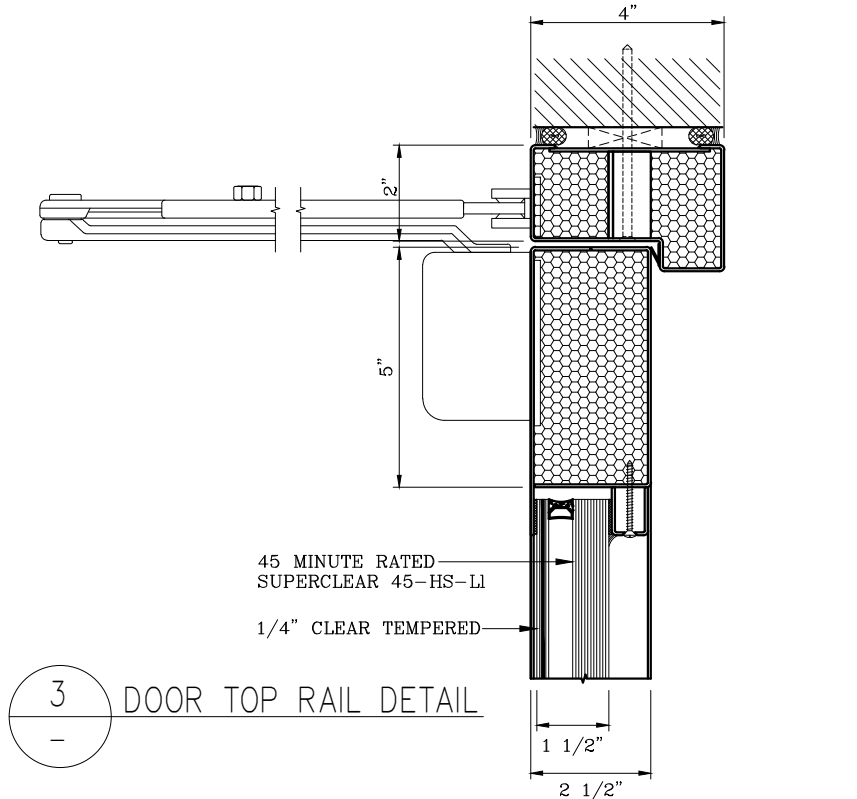
SCALE:

These details are subject to change without notice.

45 MINUTE FIRE PROTECTIVE DOOR PAIR WITH SUPERCLEAR 45-HS-LI

-EXTERIOR APPLICATION-

For more details, please visit www.safti.com



SAFTIFIRST™
FIRE RATED GLAZING SOLUTIONS Since 1981
100 N. HILL DR. SUITE 12 TEL: (415) 824-4900
BRISBANE, CA 94005 FAX: (415) 824-5900

SuperClear 45-HS-LI
Patent Pending
GPX BUILDERS SERIES
FIRE PROTECTIVE

DATE:

DRAWN:

SCALE:

These details are subject to change without notice.