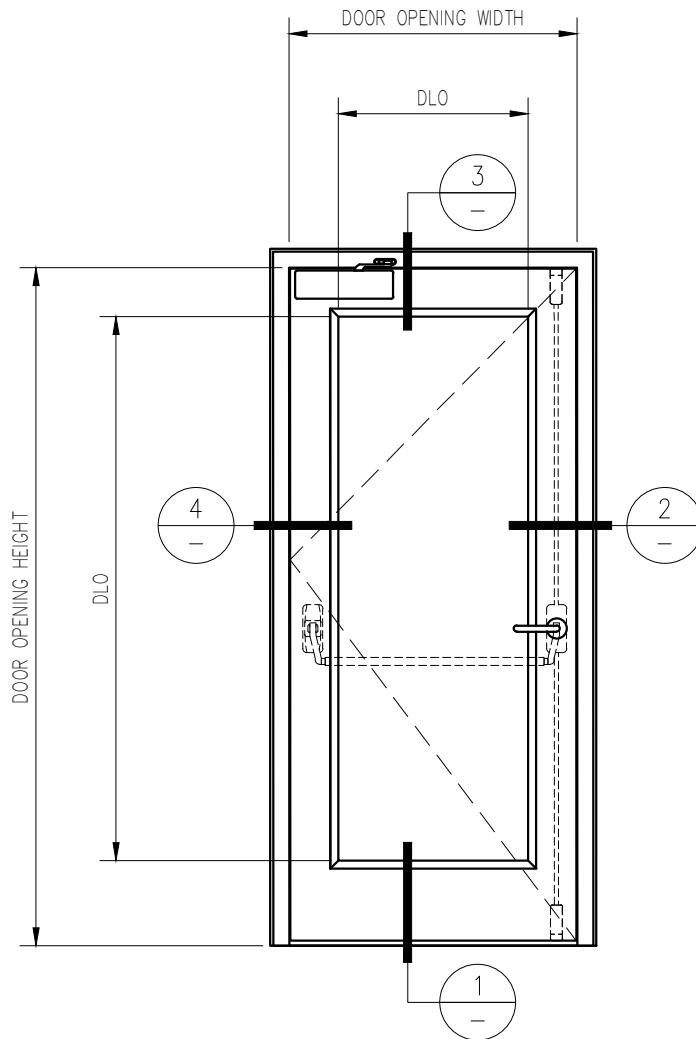


# 45 MINUTE FIRE PROTECTIVE SINGLE DOOR WITH SUPERCLEAR 45-HS-LI -EXTERIOR APPLICATION-

For more details, please visit [www.safti.com](http://www.safti.com)



**SAFTIFIRST™**  
 FIRE RATED GLAZING SOLUTIONS *Since 1981*  
 100 N. HILL DR. SUITE 12 TEL: (415) 824-4900  
 BRISBANE, CA 94005 FAX: (415) 824-5900

**SuperClear 45-HS-LI**  
*Patent Pending*  
**GPX BUILDERS SERIES**  
 FIRE PROTECTIVE

DATE:

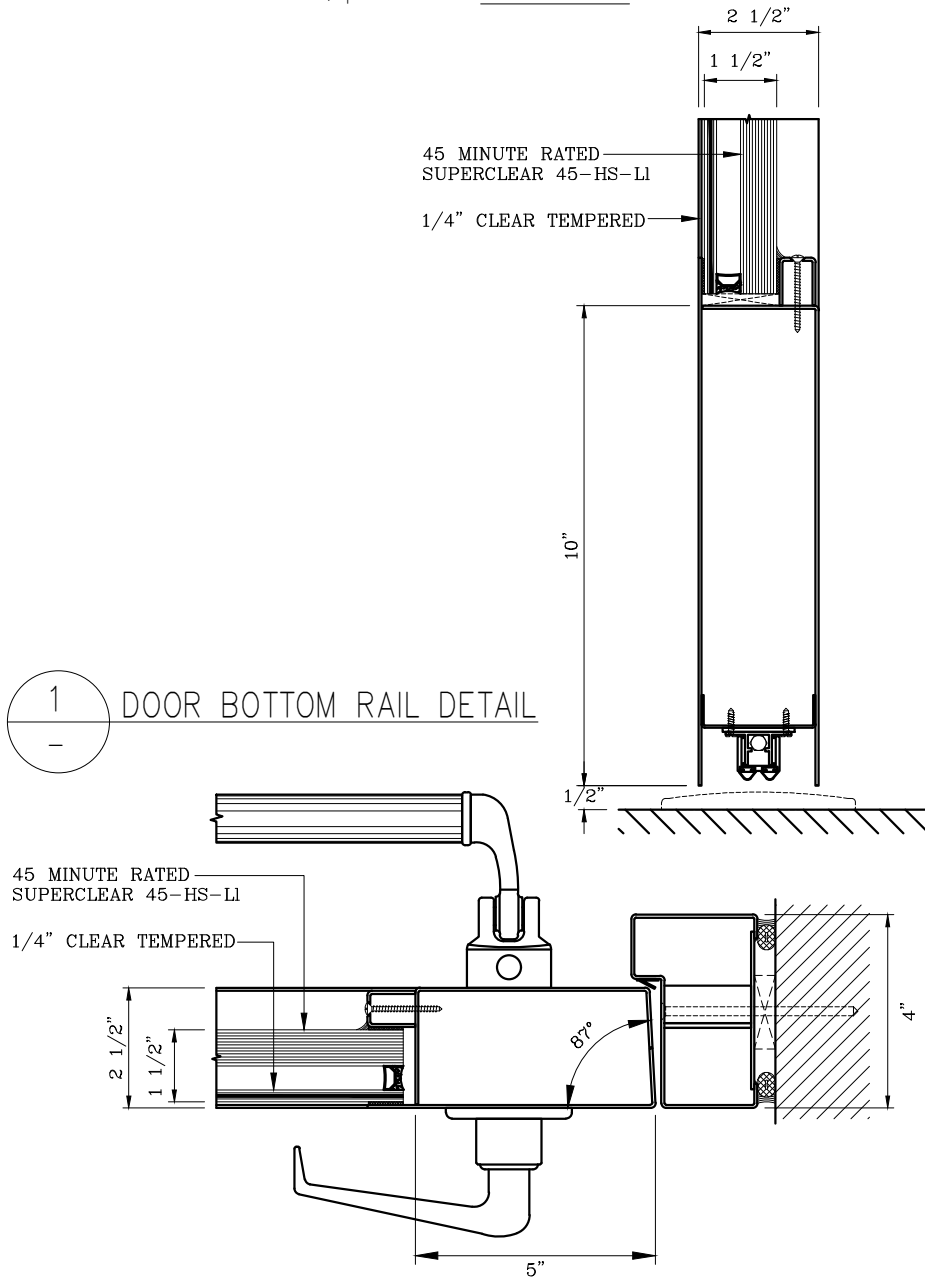
DRAWN:

SCALE:

These details are subject to change without notice.

# 45 MINUTE FIRE PROTECTIVE SINGLE DOOR WITH SUPERCLEAR 45-HS-LI -EXTERIOR APPLICATION-

For more details, please visit [www.safti.com](http://www.safti.com)



1 DOOR BOTTOM RAIL DETAIL

2 DOOR JAMB at LOCK DETAIL

**SAFTIFIRST™**  
FIRE RATED GLAZING SOLUTIONS *Since 1981*  
100 N. HILL DR. SUITE 12 TEL: (415) 824-4900  
BRISBANE, CA 94005 FAX: (415) 824-5900

**SuperClear 45-HS-LI**  
*Patent Pending*  
**GPX BUILDERS SERIES**  
FIRE PROTECTIVE

DATE:

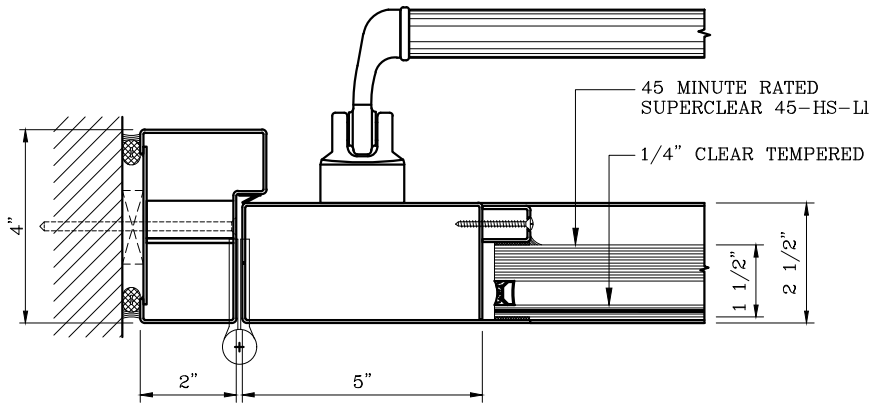
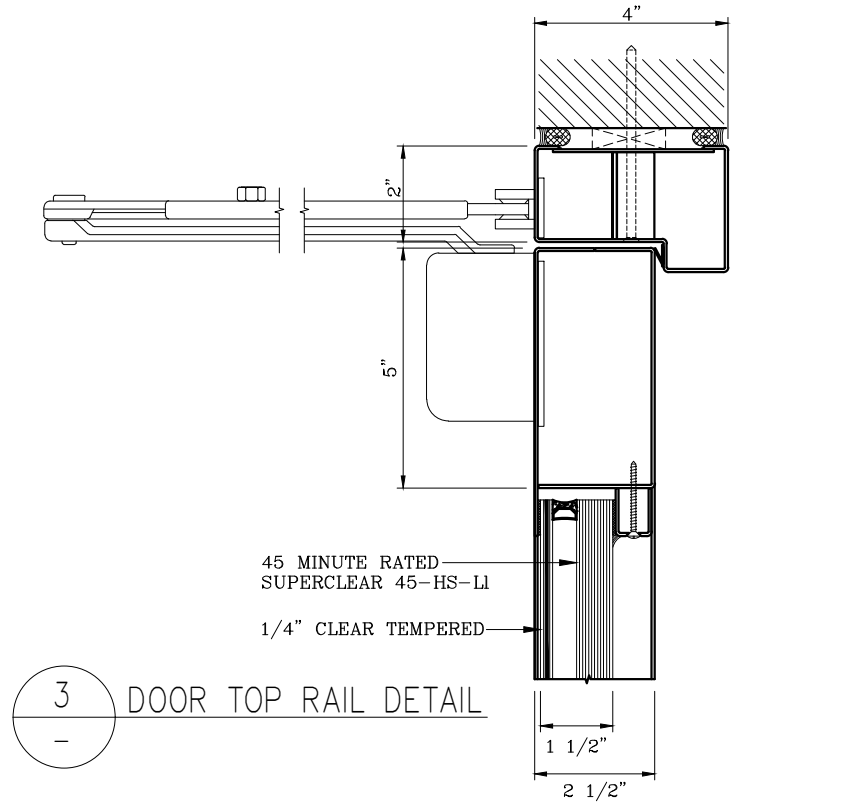
DRAWN:

SCALE:

These details are subject to change without notice.

# 45 MINUTE FIRE PROTECTIVE SINGLE DOOR WITH SUPERCLEAR 45-HS-LI -EXTERIOR APPLICATION-

For more details, please visit [www.safti.com](http://www.safti.com)



**SAFTIFIRST™**  
 FIRE RATED GLAZING SOLUTIONS *Since 1981*  
 100 N. HILL DR. SUITE 12 TEL: (415) 824-4900  
 BRISBANE, CA 94005 FAX: (415) 824-5900

**SuperClear 45-HS-LI**  
*Patent Pending*  
**GPX BUILDERS SERIES**  
 FIRE PROTECTIVE

DATE:

DRAWN:

SCALE:

These details are subject to change without notice.