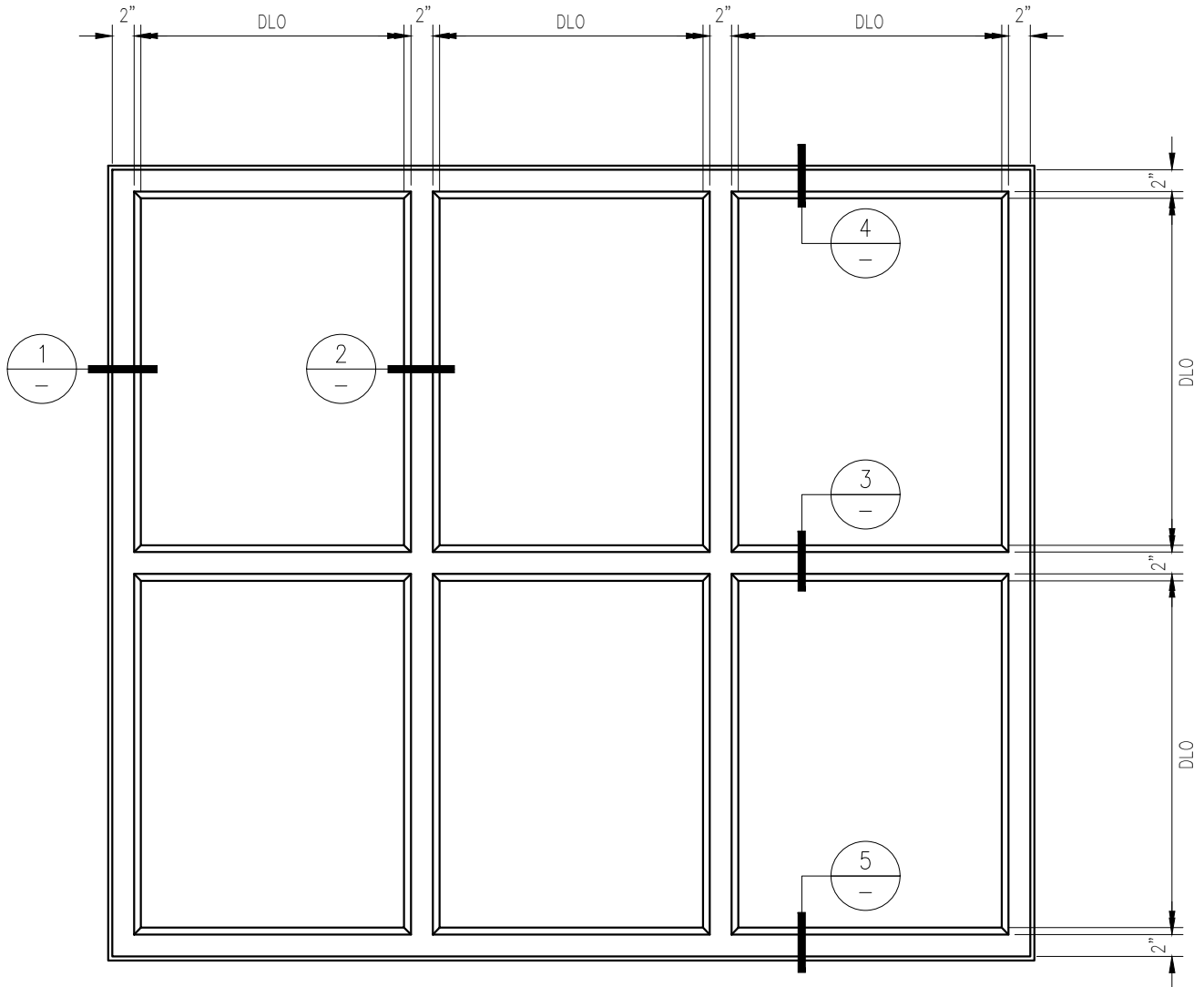


# 45 MINUTE FIRE PROTECTIVE OPENING

## WITH SUPERCLEAR 45-HS-LI

### -EXTERIOR APPLICATION-

For more details, please visit [www.safti.com](http://www.safti.com)



**SAFTIFIRST™**  
 FIRE RATED GLAZING SOLUTIONS *Since 1981*  
 100 N. HILL DR. SUITE 12 TEL: (415) 824-4900  
 BRISBANE, CA 94005 FAX: (415) 824-5900

**SuperClear 45-HS-LI**  
*Patent Pending*  
**GPX BUILDERS SERIES**  
 FIRE PROTECTIVE

DATE:

DRAWN:

SCALE:

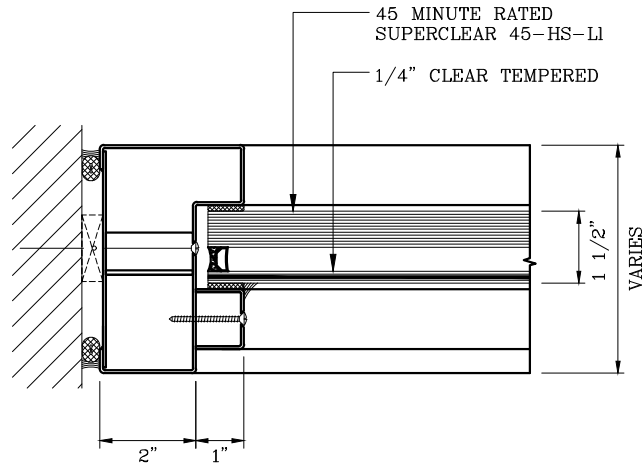
These details are subject to change without notice.

# 45 MINUTE FIRE PROTECTIVE OPENING

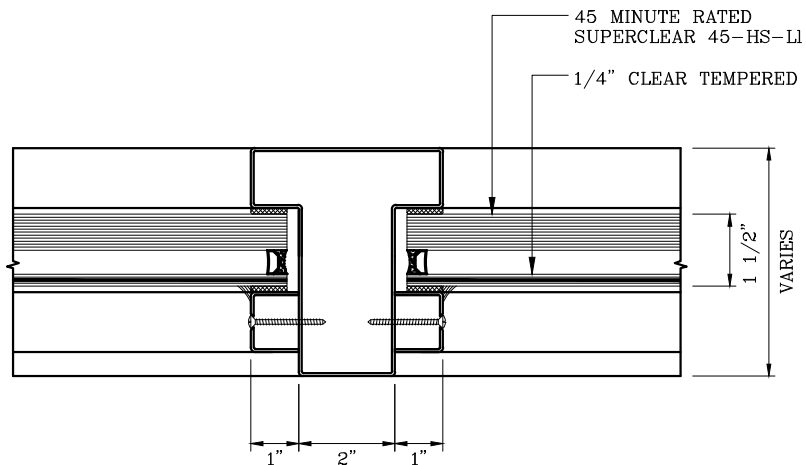
## WITH SUPERCLEAR 45-HS-LI

-EXTERIOR APPLICATION-

For more details, please visit [www.safti.com](http://www.safti.com)



1 JAMB DETAIL



2 VERTICAL MULLION DETAIL

**SAFTIFIRST**™  
FIRE RATED GLAZING SOLUTIONS Since 1981  
100 N. HILL DR. SUITE 12 TEL: (415) 824-4900  
BRISBANE, CA 94005 FAX: (415) 824-5900

**SuperClear 45-HS-LI**  
*Patent Pending*  
**GPX BUILDERS SERIES**  
FIRE PROTECTIVE

DATE:

DRAWN:

SCALE:

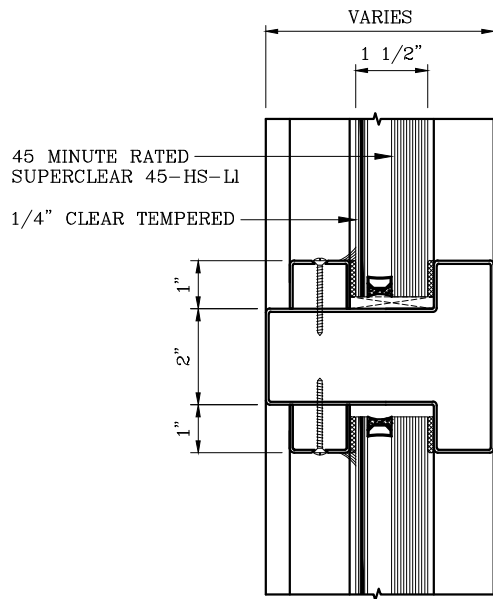
These details are subject to change without notice.

# 45 MINUTE FIRE PROTECTIVE OPENING

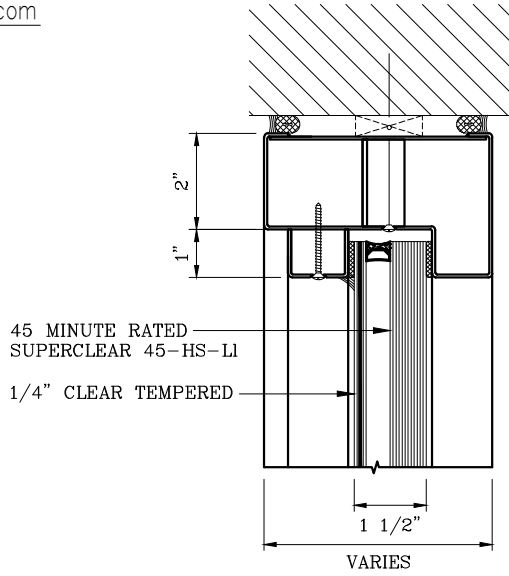
## WITH SUPERCLEAR 45-HS-LI

-EXTERIOR APPLICATION-

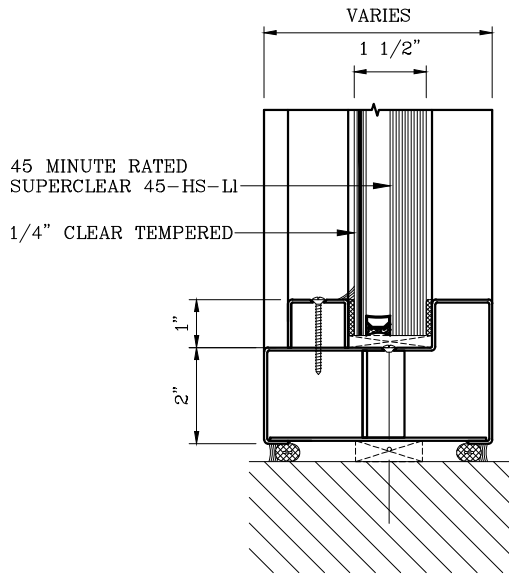
For more details, please visit [www.safti.com](http://www.safti.com)



3 HORIZONTAL MULLION DETAIL



4 HEAD DETAIL



5 SILL DETAIL

**SAFTIFIRST**™  
 FIRE RATED GLAZING SOLUTIONS Since 1981  
 100 N. HILL DR. SUITE 12 TEL: (415) 824-4900  
 BRISBANE, CA 94005 FAX: (415) 824-5900

**SuperClear 45-HS-LI**  
 Patent Pending  
**GPX BUILDERS SERIES**  
 FIRE PROTECTIVE

DATE:

DRAWN:

SCALE:

These details are subject to change without notice.