

# SuperLite™ II-XL 45

20-45 Minute  
Fire Resistive Glazing

## PRODUCT ADVANTAGES



- ▶ **Maximum fire and impact safety with hose stream and provides full radiant heat protection at a better value than any clear 20-45 minute fire protective product.**
- ▶ Largest tested and approved sizes up to 4,952 in.<sup>2</sup> (3.19 m<sup>2</sup>) in standard 3/4 in. (19 mm) profile.
- ▶ Tint-free and optically clear. Perfect for property line requirements.
- ▶ Acoustical value of 40 STC, approximately 50% better than laminated ceramic.
- ▶ Available in custom architectural make-ups, such as laminated glass and energy-saving insulated units with NFRC certifications when used with GPX Architectural Series Framing.
- ▶ Can be customized to protect against forced entry, bullets, blast, hurricane, sound and more.
- ▶ 5 year manufacturer's warranty.
- ▶ USA manufactured for fast lead times and competitive pricing.
- ▶ Thin 5/8 in. (16 mm) profile is available up to 1,296 in.<sup>2</sup> (0.84 m<sup>2</sup>).



Now available with *Starphire Ultra-Clear*® glass by Vitro

### Largest Sizes for Doors, Sidelites, Windows and Transoms

Fire Rating	Max. CV Area	Max. CV Width	Max. CV Height	Stops
All 20-45 minute applications	4,952 in. <sup>2</sup> (3.19 m <sup>2</sup> )	124 in. (3.15 m)	124 in. (3.15 m)	5/8 in. (16 mm)

1 in. stops recommended (25 mm)

## UL AND INTERTEK TESTED AND CERTIFIED



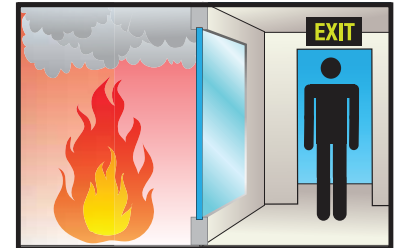
SuperLite II-XL is listed and labeled by Intertek and Underwriters Laboratories, nationally recognized testing laboratories approved by OSHA.

## APPROVALS

UL 9, UL 10B, UL 10C, UL 263, NFPA 80, NFPA 251, NFPA 252, NFPA 257, ASTM E119, ASTM E152, ASTM E163, ASTM E2074, ASTM E2010-01, CPSC 16 CFR 1201 Cat. II, ANSI Z97.1, ULC CAN4-S101, ULC CAN4-S104, ULC CAN4-S106, NFRC 100, NFRC 200, NFRC 500, ASTM C1629/C1629M, ASTM E695, ASTM D4977.

## FIRE RESISTIVE

Contains smoke, flames and blocks the passage of radiant heat.



## SPECIFICATIONS

**Thickness:** 3/4 in. (19 mm) standard and 5/8 in. (16 mm) thin profile; 1-1/2 in. (38 mm) when insulated with Low-E

**Weight:** 8 lbs./sq. ft. (39 kg/m<sup>2</sup>) in 3/4 in. (19 mm) standard profile

**Sound Transmission Rating:** STC 40 rating in 3/4 in. (19 mm) standard profile

**Outdoor-Indoor Transmission Class:** OITC 37 rating in 3/4 in. (19 mm) standard profile

**Fire Rating:** 20-45 minutes with hose stream Meets ASTM E119 and UL 263

**Impact Safety Rating:** CPSC 16 CFR 1201 Cat. I and II & ANSI Z97.1

**NFRC Certifications with GPX Architectural Series Framing:**  
0.40 U-Factor with Solarban 60 or Versalux Blue  
0.34 SHGC with Solarban 60 or Versalux Blue  
56 Condensation Resistance with Solarban 60 or Versalux Blue

**Hard Body Impact Classification:** ASTM C1629/C1629M Level 3

**Soft Body Impact Classification:** ASTM E695 Level 3

**Surface Abrasion Resistance:** ASTM D4977 Level 3

Made in the USA

# SuperLite™ II-XL 45

20-45 Minute  
Fire Resistant Glazing



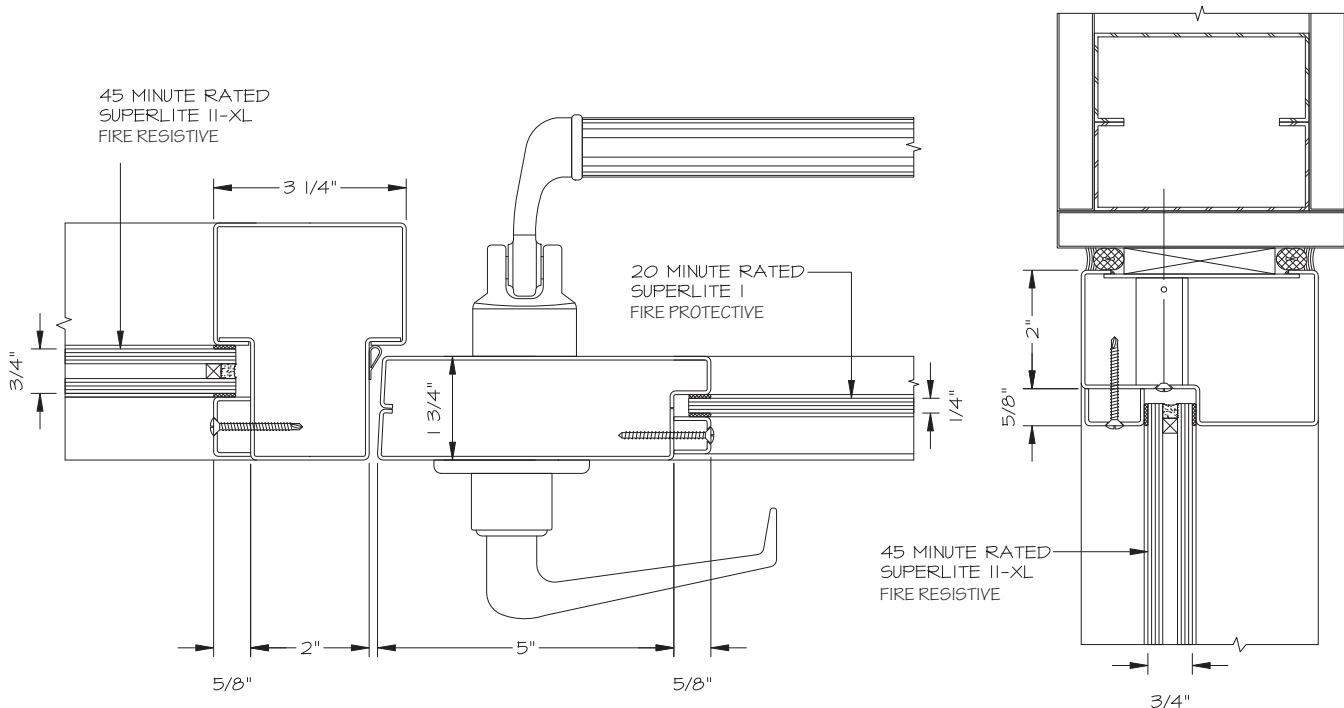
For this 1-hour corridor, the design team chose SuperLite II-XL 45 for its superior optical clarity, CPSC Cat. II impact safety ratings, high STC ratings and full radiant heat protection at a fraction of the cost of tinted filmed or laminated ceramic used in the same application.

**Project:** High Tech Middle School in Chula Vista, CA  
**Architect:** Studio E Architects  
**Contract Glazier:** Vision Systems, Inc.  
**Products Used:** SuperLite II-XL 45 in GPX Builders Series Framing

3-Part Specifications available at [www.safti.com/specifications](http://www.safti.com/specifications)

## TYPICAL DETAILS More details available at [www.safti.com/details](http://www.safti.com/details)

### SuperLite II-XL 45 in GPX Builders Series Fire Protective Sidelite and SuperLite I in GPX Builders Series Fire Protective Door



Scale 3" = 1"

Starphire Ultra-Clear is a registered trademark owned by Vitro. The information provided herein is for general reference only. Please visit [www.safti.com](http://www.safti.com) for the most updated information. © SAFTI FIRST July 2019