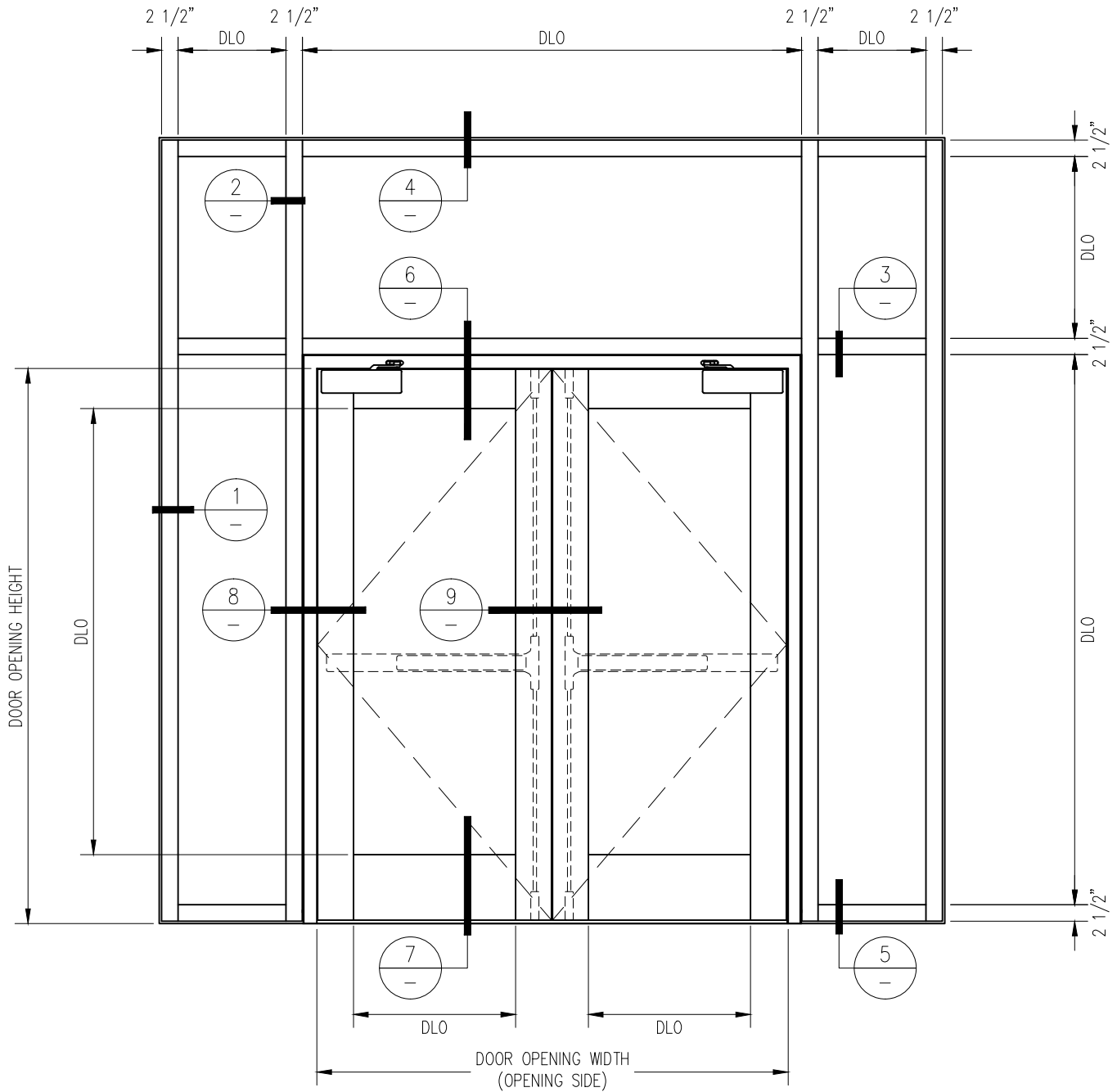


20 MINUTE FIRE PROTECTIVE ALUMINUM PAIR DOOR WITH 45 MINUTE FIRE PROTECTIVE ALUMINUM SIDELITES/TRANSOM -INTERIOR APPLICATION-

For more details, please visit www.safti.com



SAFTIFIRST™
 FIRE RATED GLAZING SOLUTIONS *Since 1982*
 100 N. HILL DR. SUITE 12 TEL: (415) 824-4900
 BRISBANE, CA 94005 FAX: (415) 824-5900

SuperLite™ I
SuperClear 45-HS-LI
Polished Panning
GPX ARCHITECTURAL
S E R I E S

DATE:

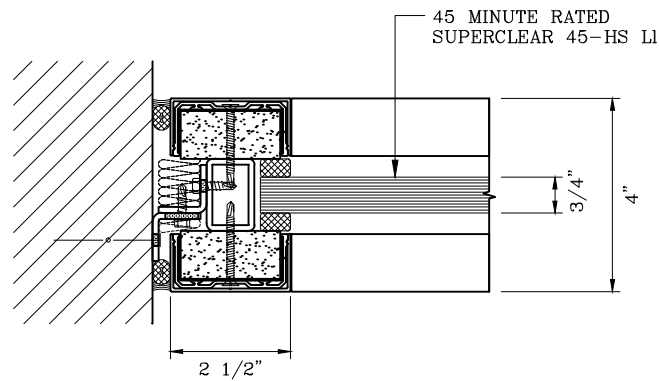
DRAWN:

SCALE:

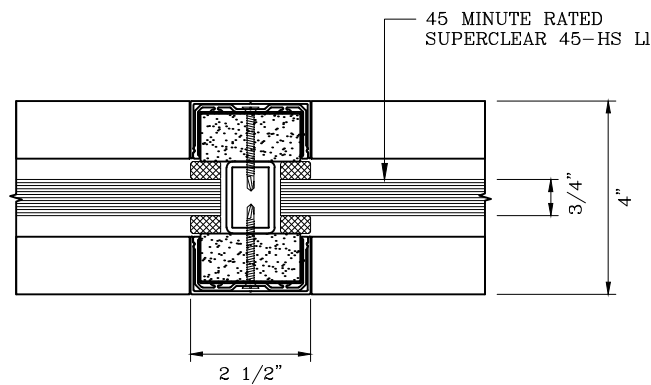
These details are subject to change without notice.

20 MINUTE FIRE PROTECTIVE ALUMINUM PAIR DOOR WITH 45 MINUTE FIRE PROTECTIVE ALUMINUM SIDELITES/TRANSOM -INTERIOR APPLICATION-

For more details, please visit www.safti.com



1 JAMB DETAIL



2 VERTICAL MULLION DETAIL

SAFTIFIRST™
FIRE RATED GLAZING SOLUTIONS *Since 1982*
100 N. HILL DR. SUITE 12 TEL: (415) 824-4900
BRISBANE, CA 94005 FAX: (415) 824-5900

SuperLite™ I
SuperClear 45-HS-LI
Patent Pending
GPX ARCHITECTURAL
S E R I E S

DATE:

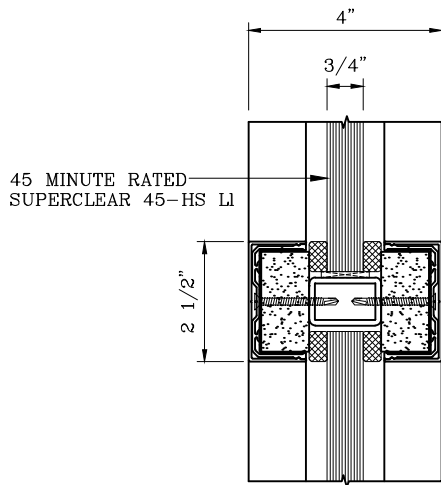
DRAWN:

SCALE:

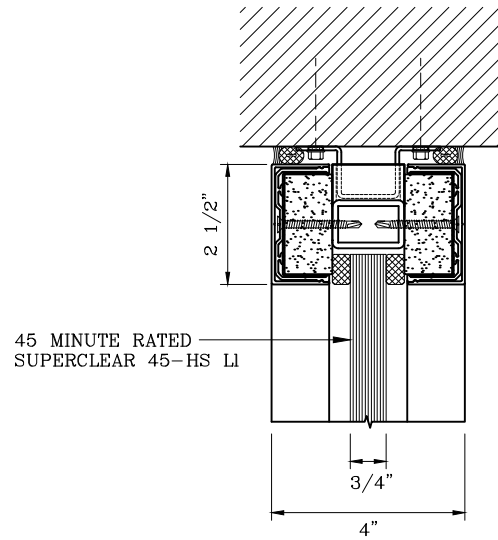
These details are subject to change without notice.

20 MINUTE FIRE PROTECTIVE ALUMINUM PAIR DOOR WITH 45 MINUTE FIRE PROTECTIVE ALUMINUM SIDELITES/TRANSOM -INTERIOR APPLICATION-

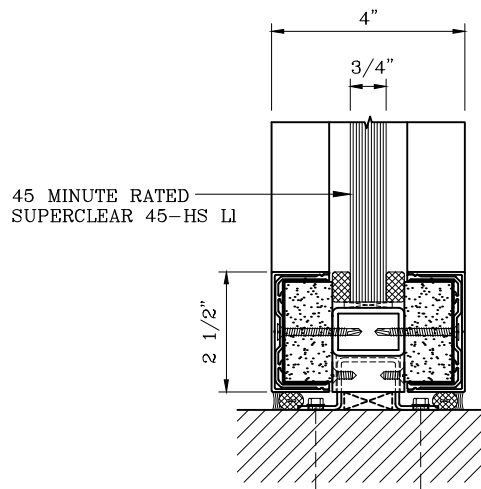
For more details, please visit www.safti.com



3 HORIZONTAL MULLION DETAIL



4 HEAD DETAIL



5 SILL DETAIL

SAFTIFIRST™
FIRE RATED GLAZING SOLUTIONS *Since 1982*
100 N. HILL DR. SUITE 12 TEL: (415) 824-4900
BRISBANE, CA 94005 FAX: (415) 824-5900

SuperLite™ I
SuperClear 45-HS-LI
Polymers
GPX ARCHITECTURAL
S E R I E S

DATE:

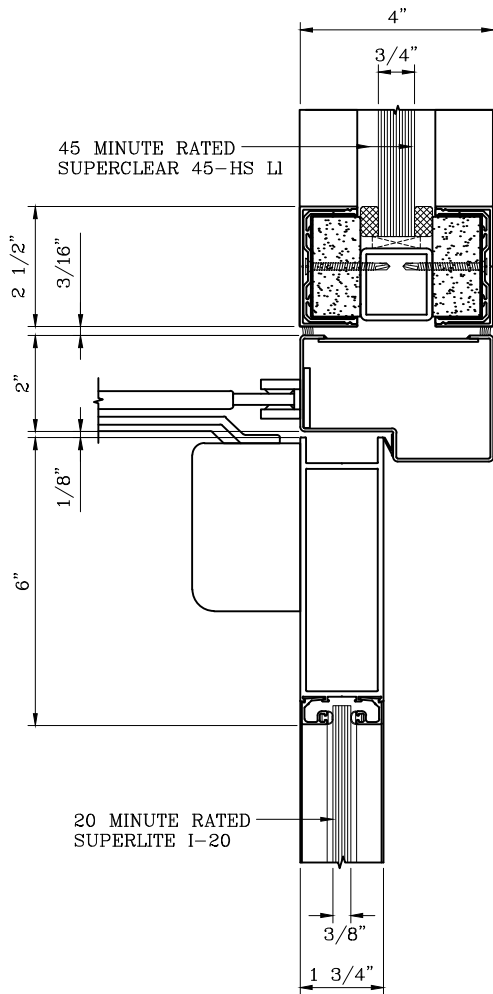
DRAWN:

SCALE:

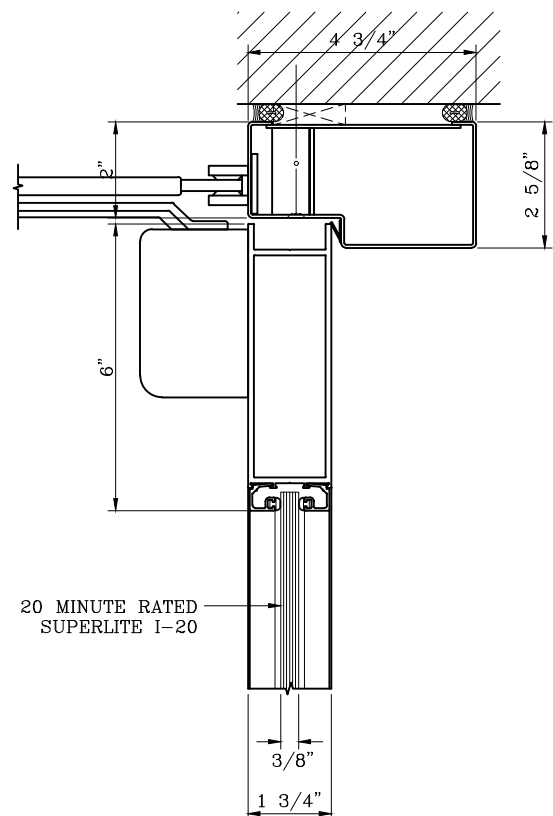
These details are subject to change without notice.

20 MINUTE FIRE PROTECTIVE ALUMINUM PAIR DOOR WITH 45 MINUTE FIRE PROTECTIVE ALUMINUM SIDELITES/TRANSOM - INTERIOR APPLICATION -

For more details, please visit www.safti.com



6 DOOR TOP RAIL DETAIL



7 DOOR TOP RAIL DETAIL

SAFTIFIRST™
FIRE RATED GLAZING SOLUTIONS Since 1982
100 N. HILL DR. SUITE 12 TEL: (415) 824-4900
BRISBANE, CA 94005 FAX: (415) 824-5900

SuperLite™ I
SuperClear 45-HS-LI
Patent Pending
GPX ARCHITECTURAL
S E R I E S

DATE:

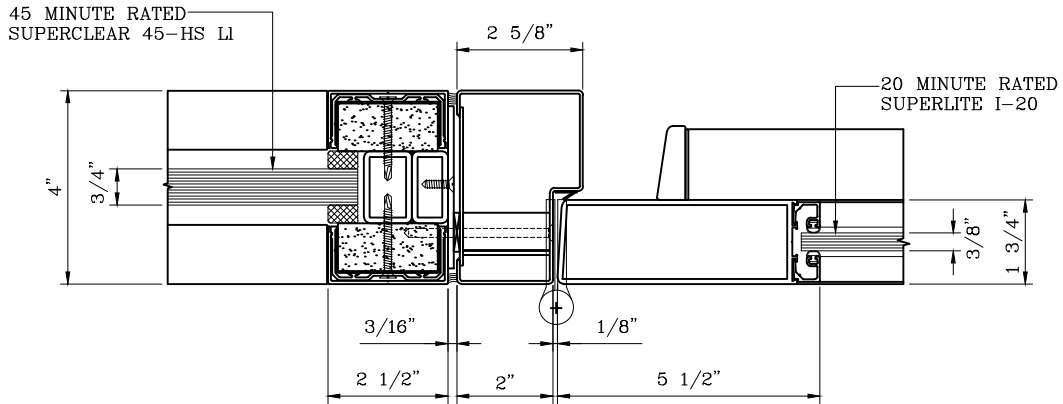
DRAWN:

SCALE:

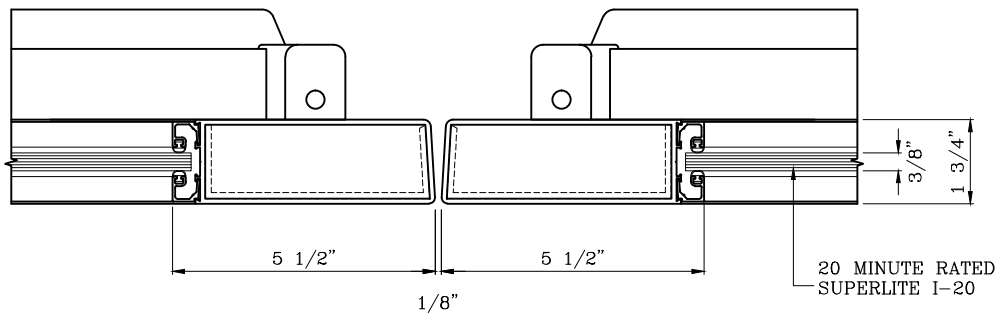
These details are subject to change without notice.

20 MINUTE FIRE PROTECTIVE ALUMINUM PAIR DOOR WITH 45 MINUTE FIRE PROTECTIVE ALUMINUM SIDELITES/TRANSOM - INTERIOR APPLICATION -

For more details, please visit www.safti.com



8 DOOR JAMB at HINGE DETAIL



9 DOOR MEETING STILES DETAIL

SAFTIFIRST™
FIRE RATED GLAZING SOLUTIONS *Since 1982*
100 N. HILL DR. SUITE 12 TEL: (415) 824-4900
BRISBANE, CA 94005 FAX: (415) 824-5900

SuperLite™ I
SuperClear 45-HS-LI
Patent Pending
GPX ARCHITECTURAL
S E R I E S

DATE:

DRAWN:

SCALE:

These details are subject to change without notice.