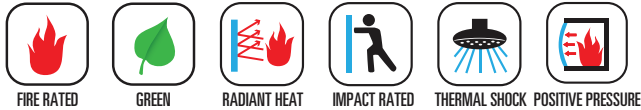


SuperLite I-XL

20-45 Minute Fire Protective Glazing
Directional Without Hose Stream

PRODUCT ADVANTAGES



- ▶ Patented specialty tempered glazing tested without hose stream, that provides partial radiant heat protection not available with ceramics.
- ▶ Accepted by the GSA and AHJ's across the country as a safe and value added alternative to traditional unsafe wired glass and expensive ceramics.
- ▶ Meets the highest human impact safety requirements.
- ▶ Approved for 20 minute applications without limitations.
- ▶ Received a General Approval from the City and County of Los Angeles (RR25655).
- ▶ Regularly specified for use in urban-wildfire exterior applications, and perfect for property line requirements.
- ▶ Available in specialty architectural make-ups.
- ▶ Lifetime manufacturer's warranty.
- ▶ USA manufactured for fast delivery and competitive pricing.

Fire Rating	Application	Max. CV Area	Max. CV Width	Max. CV Height	Stops
20 minutes	Wood or Steel Doors	3,341 in. ² (2.16 m ²)	35-1/8 in. (0.89 m)	95-1/8 in. (2.42 m)	5/8 in. (16 mm)
20 minutes	Steel Sidelites, Windows and Transoms	5,760 in. ² (3.72 m ²)	96 in. (2.44 m)	96 in. (2.44 m)	5/8 in. (16 mm)
45 minutes*	Wood or Steel Doors	3,341 in. ² (2.16 m ²)	35-1/8 in. (0.89 m)	95-1/8 in. (2.42 m)	5/8 in. (16 mm)
45 minutes*	Steel Sidelites, Windows and Transoms	5,760 in. ² (3.72 m ²)	96 in. (2.44 m)	96 in. (2.44 m)	5/8 in. (16 mm)

* Please see details for limitations.

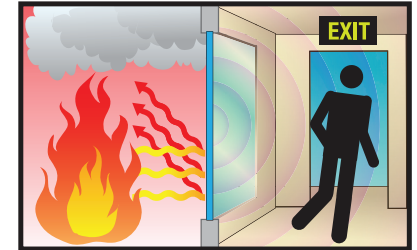
INTERTEK TESTED AND CERTIFIED



SuperLite I-XL is listed and labeled by Intertek and Underwriters Laboratories, nationally recognized testing laboratories approved by OSHA. Requires AHJ approval for 45 minute applications because this is a directional product that is tested without hose stream. Please visit www.safti.com/AHJ for more information.

FIRE PROTECTIVE

Provides partial radiant heat protection.
Contains smoke and flames.



Reflects radiant heat back to the fire source, allowing safe egress in corridors.
For fire resistive glazing that blocks radiant heat see SuperLite II-XL.

SPECIFICATIONS

Thickness: 1/4 in. (6 mm)

Weight: 3.0 lbs./sq.ft. (15 kg/m²)

Sound Transmission Rating: STC 28

Fire Rating: 20-45 minutes without hose stream

Impact Safety Rating:
CPSC 16 CFR 1201 Cat. I and II

Solar Heat Gain Coefficient:
0.70 SHGC

3-Part Specifications:

Available at

www.safti.com/specifications

APPROVALS

UL 9, UL 10B, UL 10C, NFPA 80, NFPA 252, NFPA 257, ASTM E152, ASTM E163, ASTM E2074, ASTM E2010-01, CPSC 16 CFR 1201 Cat. II., ANSI Z97.1

U.S. Pat. No. 5,910,620



Made in the USA

www.safti.com

SAFTIFIRST
SAFETY AND FIRE TECHNOLOGY INC.

888.653.3333

SuperLite® I-XL

20-45 Minute Fire Protective Glazing
Directional Without Hose Stream



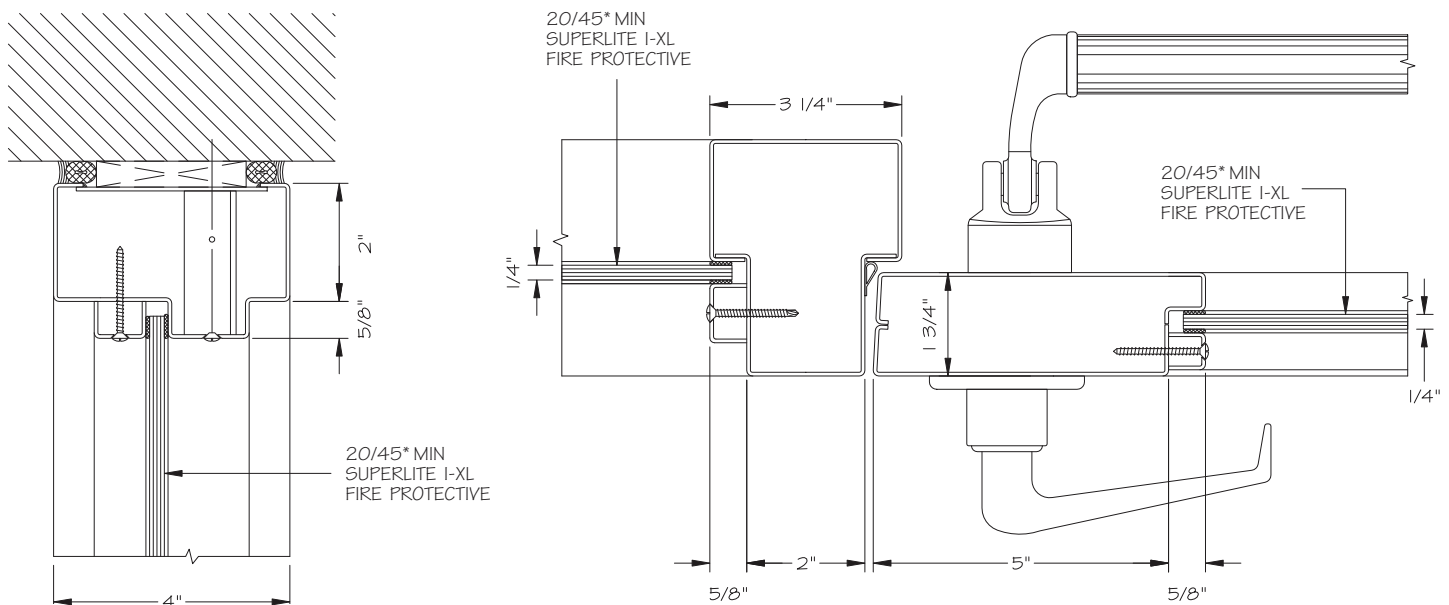
This San Francisco school selected SuperLite I-XL to replace unsafe traditional wired glass, in order to benefit from its partial radiant heat protection and high impact resistance. The use of SuperLite I-XL ensures that students can safely pass through the corridors on a normal daily basis and during an emergency such as an earthquake or fire.

Please request a copy of our SuperLite I-XL Technical Bulletin to learn how your next project can benefit as well.

Project: National Center for International Schools in San Francisco, CA
AHJ: City of San Francisco
Contract Glazier: Hayward Glass

TYPICAL DETAILS More details available at www.safti.com/details

SuperLite I-XL in GPX Builders Series Fire Protective Door, Sidelite and Opening



* AHJ approval is required for 45 minute applications because this is a directional product tested without hose stream. Fire protective glazing is limited to 100 sq. in. in temperature rise doors and up to the maximum size tested in non-temperature rise doors. Fire protective glazing is limited to 25% of the wall area and cannot be used in applications that require ASTM E119 or NFPA 251.