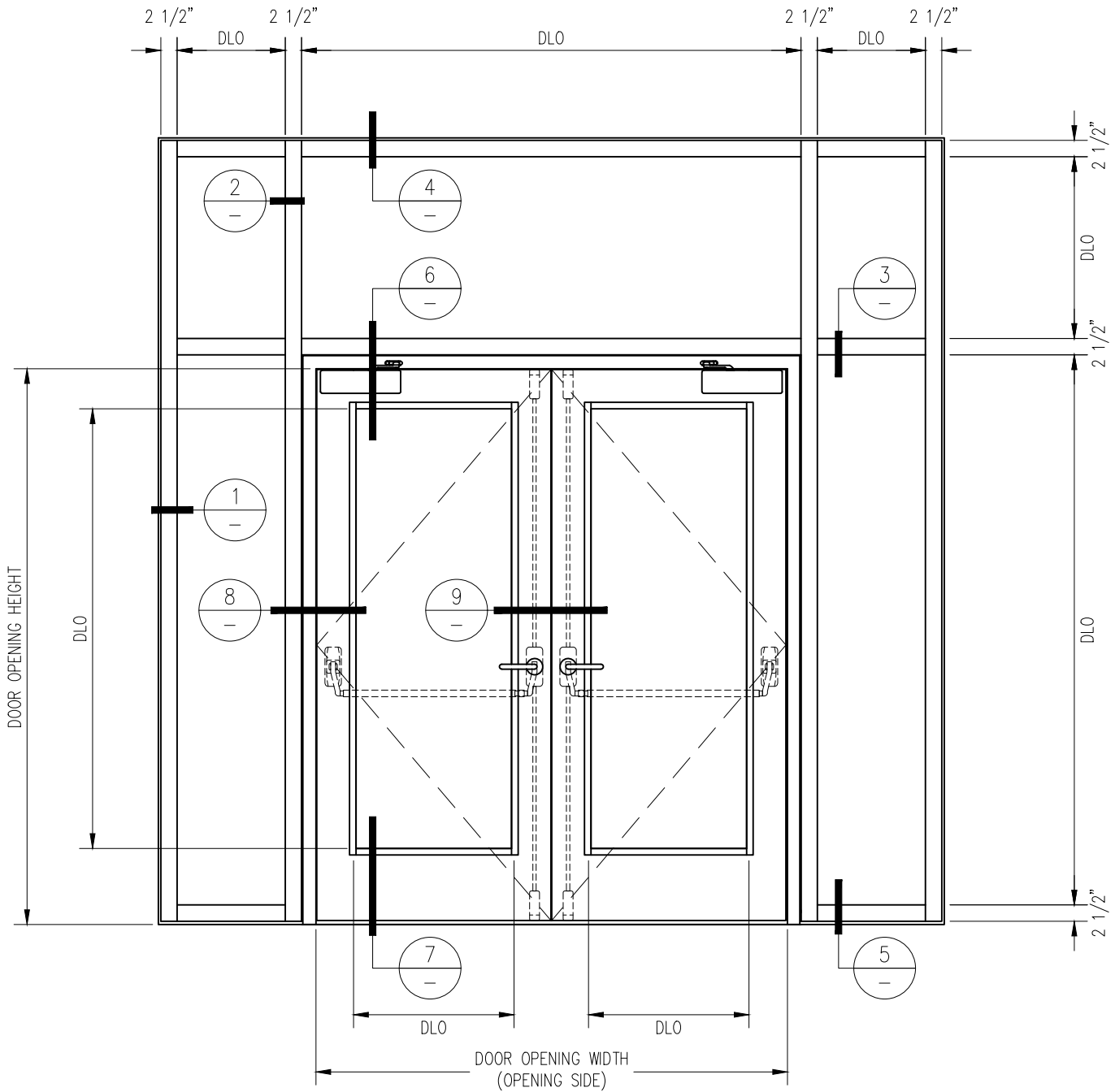


45 MINUTE FIRE PROTECTIVE PAIR DOOR  
WITH 45 MINUTE FIRE PROTECTIVE ALUMINUM  
SIDELITES/TRANSOM  
 -EXTERIOR APPLICATION-

For more details, please visit [www.safti.com](http://www.safti.com)



**SAFTIFIRST™**  
 FIRE RATED GLAZING SOLUTIONS Since 1981  
 100 N. HILL DR. SUITE 12 TEL: (415) 824-4900  
 BRISBANE, CA 94005 FAX: (415) 824-5900

**SuperClear 45-HS-LI**  
Patent Pending  
**GPX BUILDERS SERIES**  
FIRE PROTECTIVE  
**GPX ARCHITECTURAL SERIES**

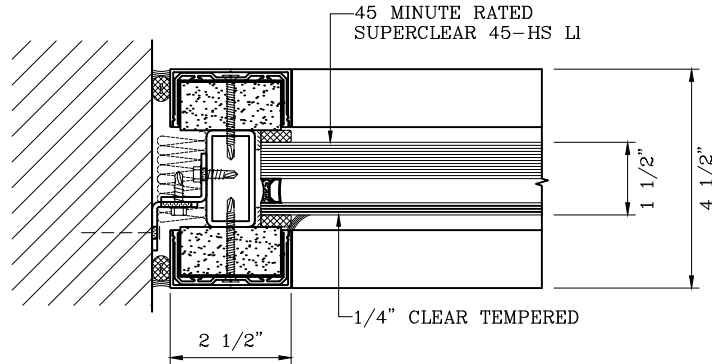
DATE:	
DRAWN:	SCALE:

These details are subject to change without notice.

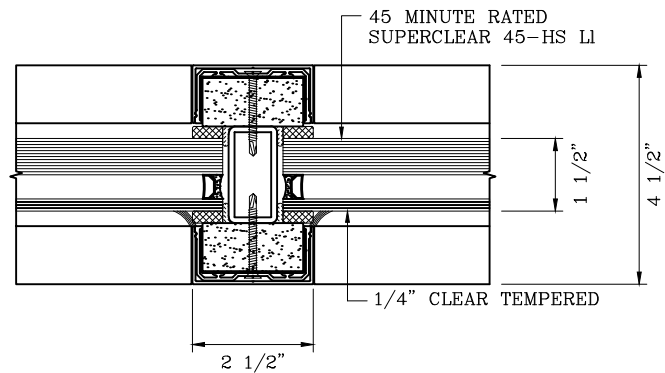
# 45 MINUTE FIRE PROTECTIVE PAIR DOOR WITH 45 MINUTE FIRE PROTECTIVE ALUMINUM SIDELITES/TRANSOM

-EXTERIOR APPLICATION-

For more details, please visit [www.safti.com](http://www.safti.com)



1 JAMB DETAIL



2 VERTICAL MULLION DETAIL

**SAFTIFIRST™**  
FIRE RATED GLAZING SOLUTIONS Since 1981  
100 N. HILL DR. SUITE 12 TEL: (415) 824-4900  
BRISBANE, CA 94005 FAX: (415) 824-5900

**SuperClear 45-HS-LI**  
Patent Pending  
**GPX BUILDERS SERIES**  
**GPX ARCHITECTURAL SERIES**

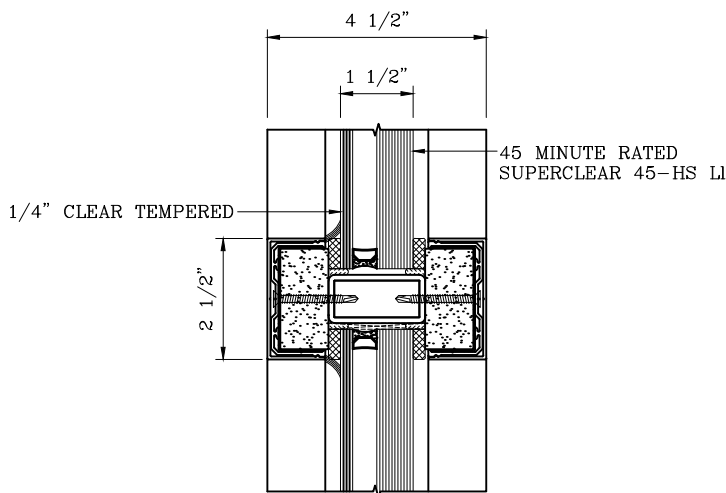
DATE:	
DRAWN:	SCALE:

These details are subject to change without notice.

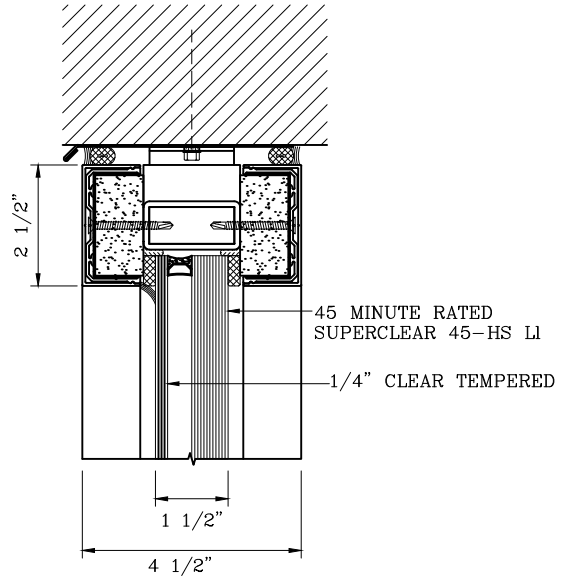
# 45 MINUTE FIRE PROTECTIVE PAIR DOOR WITH 45 MINUTE FIRE PROTECTIVE ALUMINUM SIDELITES/TRANSOM

-EXTERIOR APPLICATION-

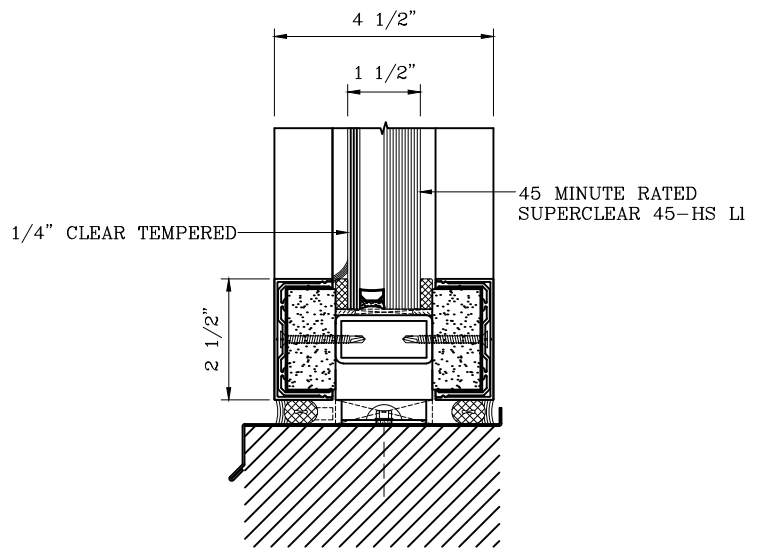
For more details, please visit [www.safti.com](http://www.safti.com)



3 HORIZONTAL MULLION DETAIL



4 HEAD DETAIL



5 SILL DETAIL

**SAFTIFIRST™**  
FIRE RATED GLAZING SOLUTIONS *Since 1981*  
100 N. HILL DR. SUITE 12 TEL: (415) 824-4900  
BRISBANE, CA 94005 FAX: (415) 824-5900

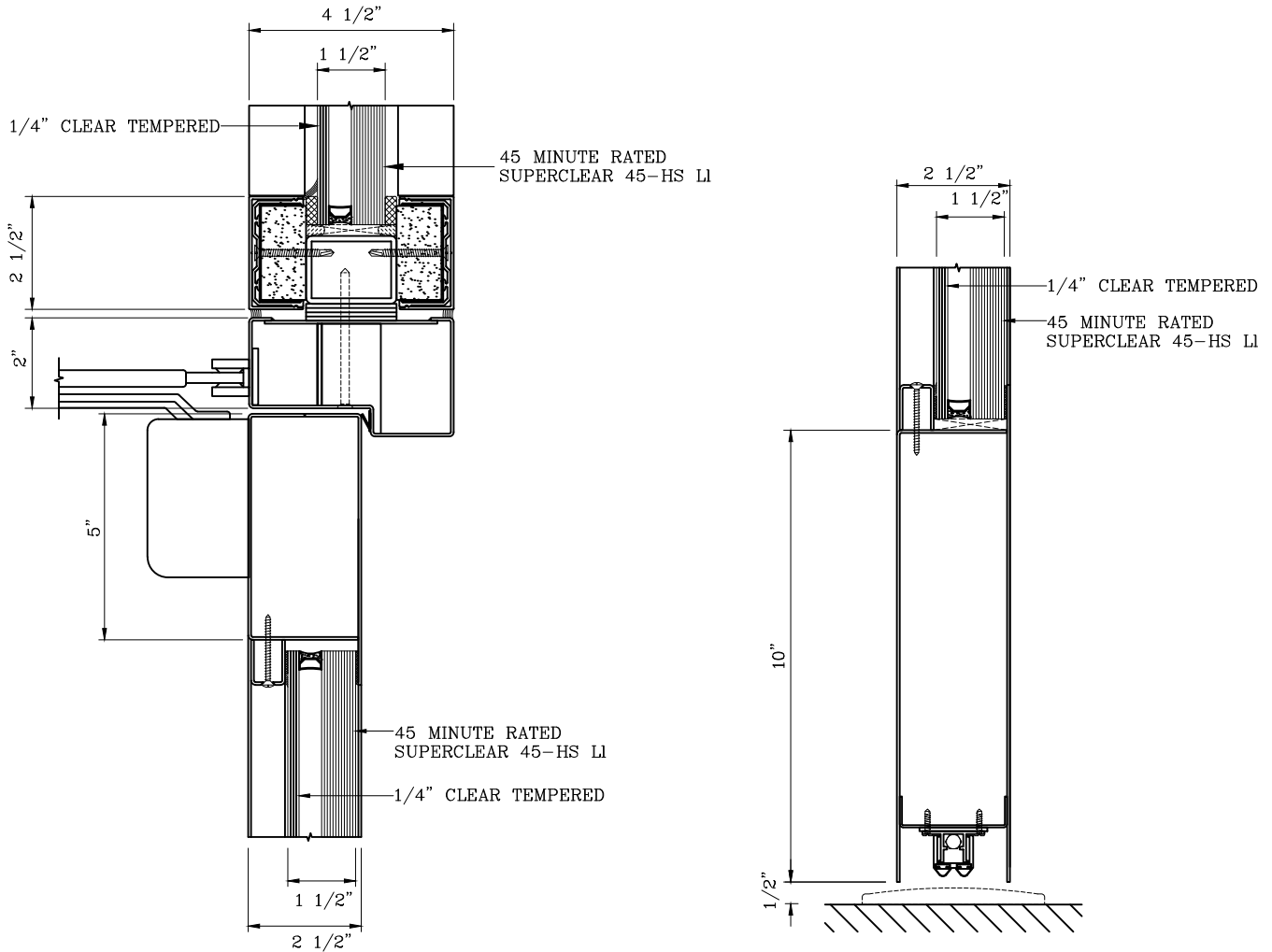
**SuperClear 45-HS-LI**  
Patent Pending  
**GPX BUILDERS SERIES**  
**GPX ARCHITECTURAL SERIES**

DATE:	
DRAWN:	SCALE:

These details are subject to change without notice.

45 MINUTE FIRE PROTECTIVE PAIR DOOR  
WITH 45 MINUTE FIRE PROTECTIVE ALUMINUM  
SIDELITES/TRANSOM  
 -EXTERIOR APPLICATION-

For more details, please visit [www.safti.com](http://www.safti.com)



6 DOOR TOP RAIL DETAIL

7 DOOR BOTTOM RAIL DETAIL

**SAFTIFIRST™**  
 FIRE RATED GLAZING SOLUTIONS Since 1981  
 100 N. HILL DR. SUITE 12 TEL: (415) 824-4900  
 BRISBANE, CA 94005 FAX: (415) 824-5900

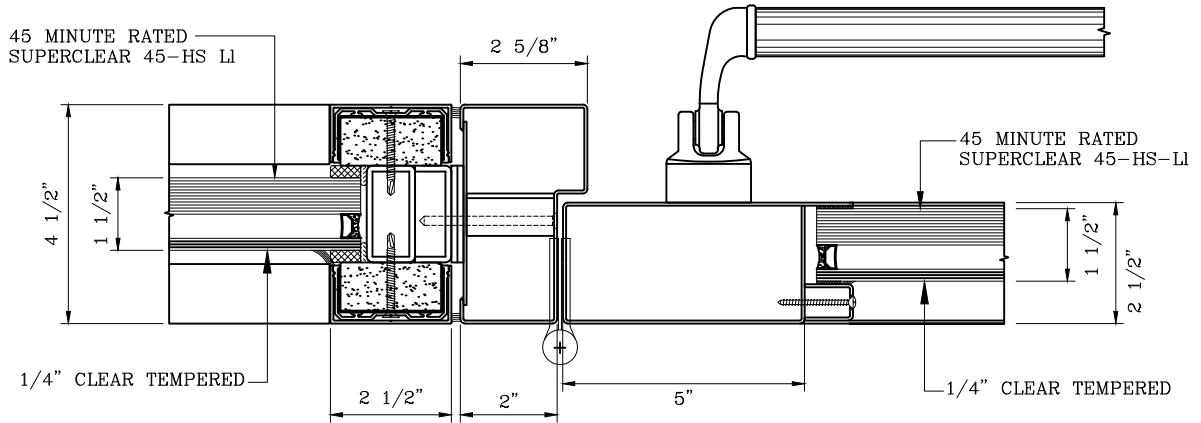
**SuperClear 45-HS-LI**  
Patent Pending  
**GPX BUILDERS SERIES**  
FIRE PROTECTIVE  
**GPX ARCHITECTURAL SERIES**

DATE:	
DRAWN:	SCALE:

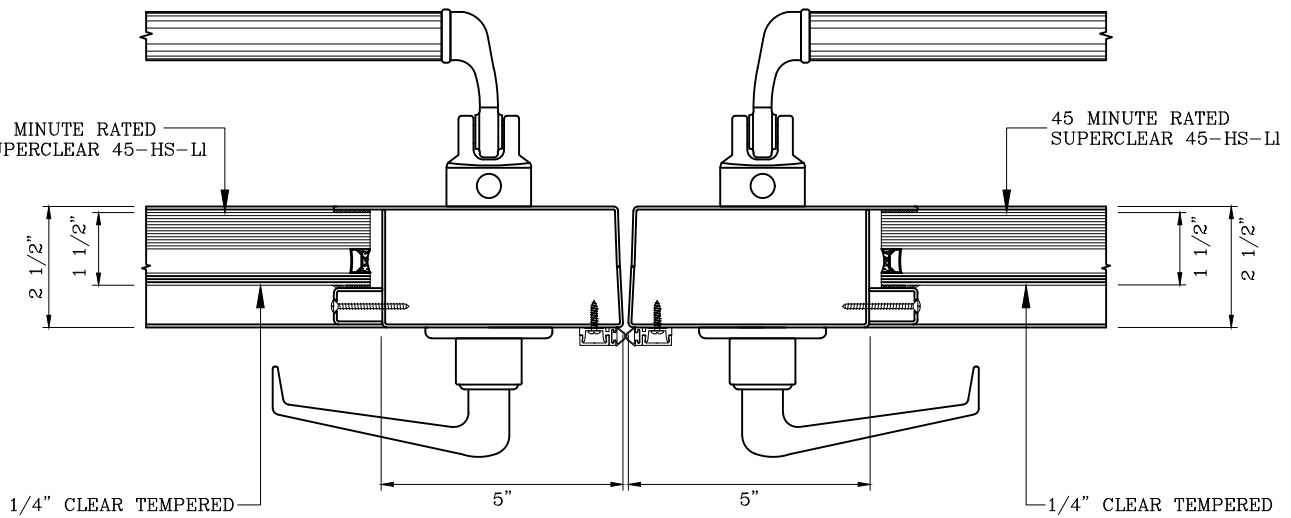
These details are subject to change without notice.

# 45 MINUTE FIRE PROTECTIVE PAIR DOOR WITH 45 MINUTE FIRE PROTECTIVE ALUMINUM SIDELITES/TRANSOM -EXTERIOR APPLICATION-

For more details, please visit [www.safti.com](http://www.safti.com)



8 DOOR JAMB at HINGE DETAIL



9 DOOR MEETING STILES DETAIL

**SAFTIFIRST™**  
FIRE RATED GLAZING SOLUTIONS Since 1981  
100 N. HILL DR. SUITE 12 TEL: (415) 824-4900  
BRISBANE, CA 94005 FAX: (415) 824-5900

**SuperClear 45-HS-LI**  
Patent Pending  
**GPX BUILDERS SERIES**  
**GPX ARCHITECTURAL SERIES**

DATE:	
DRAWN:	SCALE:

These details are subject to change without notice.