

PRODUCT ADVANTAGES



- ▶ Provides wall-to-wall and floor-to-ceiling transparency for up to 2 hours when combined with SuperLite[®] II-XL glazing.
- ▶ Durable and structurally sound fire resistive aluminum clad framing system.
- ▶ Provides the clean appearance of conventional aluminum framing with uniform sightlines.
- ▶ Available in standard and custom finishes including high performance fluoropolymer finishes by PPG, clear anodized, bronze anodized, black anodized, Decoral[®], any species of wood veneer, ornamental metal and more.
- ▶ Can be used in both interior and exterior applications.
- ▶ Can be customized to protect against hurricane, bullet, blast, noise and UV rays.
- ▶ Standard 5 year limited warranty.
- ▶ USA manufactured for fast lead times and competitive pricing.

FRAMING:
with SuperLite[®] II-XL
glazing

Fire Rating	Max. CV Area	Max. CV Width	Max. CV Height
45-60 minutes	4,952 in. ² (3.19 m ²)	124 in. (3.15 m)	124 in. (3.15 m)
90-120 minutes	4,876 in. ² (3.15 m ²)	124 in. (3.15 m)	124 in. (3.15 m)

UL AND INTERTEK TESTED AND CERTIFIED



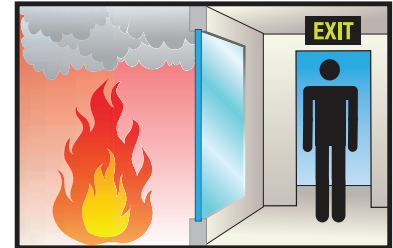
GPX[®] Curtain Wall Series is listed and labeled by Intertek and Underwriters Laboratories, nationally recognized testing laboratories approved by OSHA.

APPROVALS

UL 9, UL 10B, UL 10C, UL 263, UL 752-2005, NFPA 80, NFPA 251, NFPA 252, NFPA 257, ASTM E119, ASTM E152, ASTM E163, ASTM E2074, ASTM E2010-01, CPSC 16 CFR 1201 Cat. II, ANSI Z97.1, ULC CAN4-S101, ULC CAN4-S104, ULC CAN4-S106, NFRC 100, NFRC 200, NFRC 500.

FIRE RESISTIVE

Contains smoke and flames, and blocks the passage of radiant heat.



SPECIFICATIONS

Profile Width: Standard 3 in. (76 mm).
Optional 2 ½ in. (63.5 mm).

Weight: 12 lb./lineal foot standard

Fire Rating: Up to 120 minutes with hose stream
Meets ASTM E119, NFPA 251, and UL 263

Air Infiltration: ASTM E 283-04 at 6.24 psf.
Result: No Leakage.

Static Pressure: ASTM E 331-00 at 20.0 psf.
Result: No Leakage.

Dynamic Pressure Water Resistance:
AAMA 501-1.05 at 12.0 psf. **Result: No Leakage.**

Thermal Cycling and Condensation Evaluation:
Exterior 170 degrees F; -10 degrees F/ Interior: 68 degrees F. **Result: No Damage.**

Condensation Resistance Factor of Frame: 68

Condensation Resistance Factor of Glass: 71

Structural Performance: ASTM E-330 between -75.0 psf to 60.0 psf. **Result: Passed with No Damage.**

Interstory Vertical Displacement Test: 1" Parallel, 1" Perpendicular. **Result: No Damage.**

Seismic Movement Test: ¾" cycled movement horizontally. **Result: No Damage.**

3-Part Specifications:

Available at

www.safti.com/specifications



GPX[®] CURTAIN WALL S E R I E S

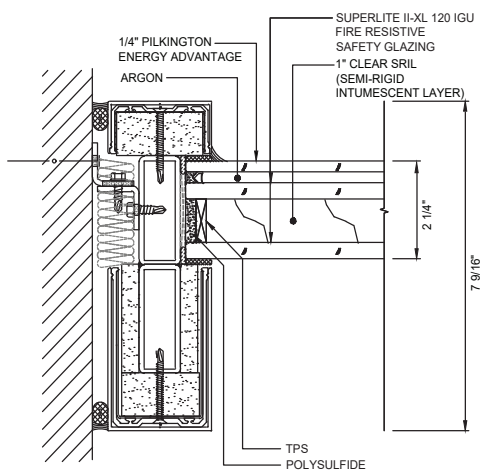
*Fire Resistive Curtain Wall
up to 2 Hours*



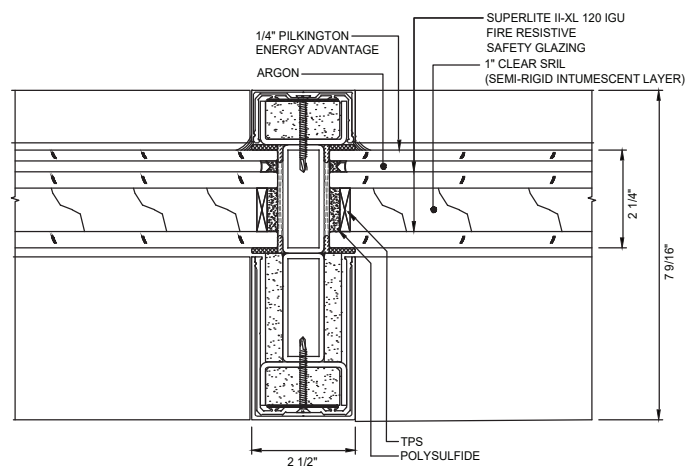
Project: Weill Cornell
Location: New York, NY
Architect: Ennead Architects
Contract Glazier: W&W Glass, LLC
Products Used: SuperLite[®] II-XL 120 IGU in GPX[®] Curtain Wall System

TYPICAL DETAILS *More details available at www.safti.com/details*

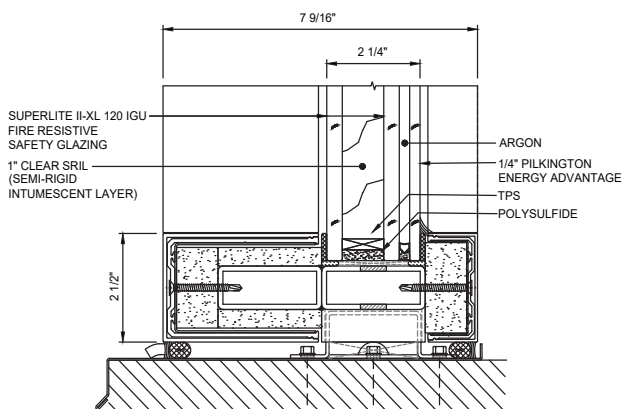
SuperLite[®] II-XL 120 in GPX[®] Curtain Wall System



JAMB DETAIL



VERTICAL MULLION DETAIL



SILL DETAIL

Details not to scale

The information provided herein is for reference only and is subject to change without notice. Please visit www.safti.com for the most up to date information.

© SAFTI FIRST[®] October 2021

www.safti.com

SAFTIFIRST[®]
SAFETY AND FIRE TECHNOLOGY INC.

888.653.3333