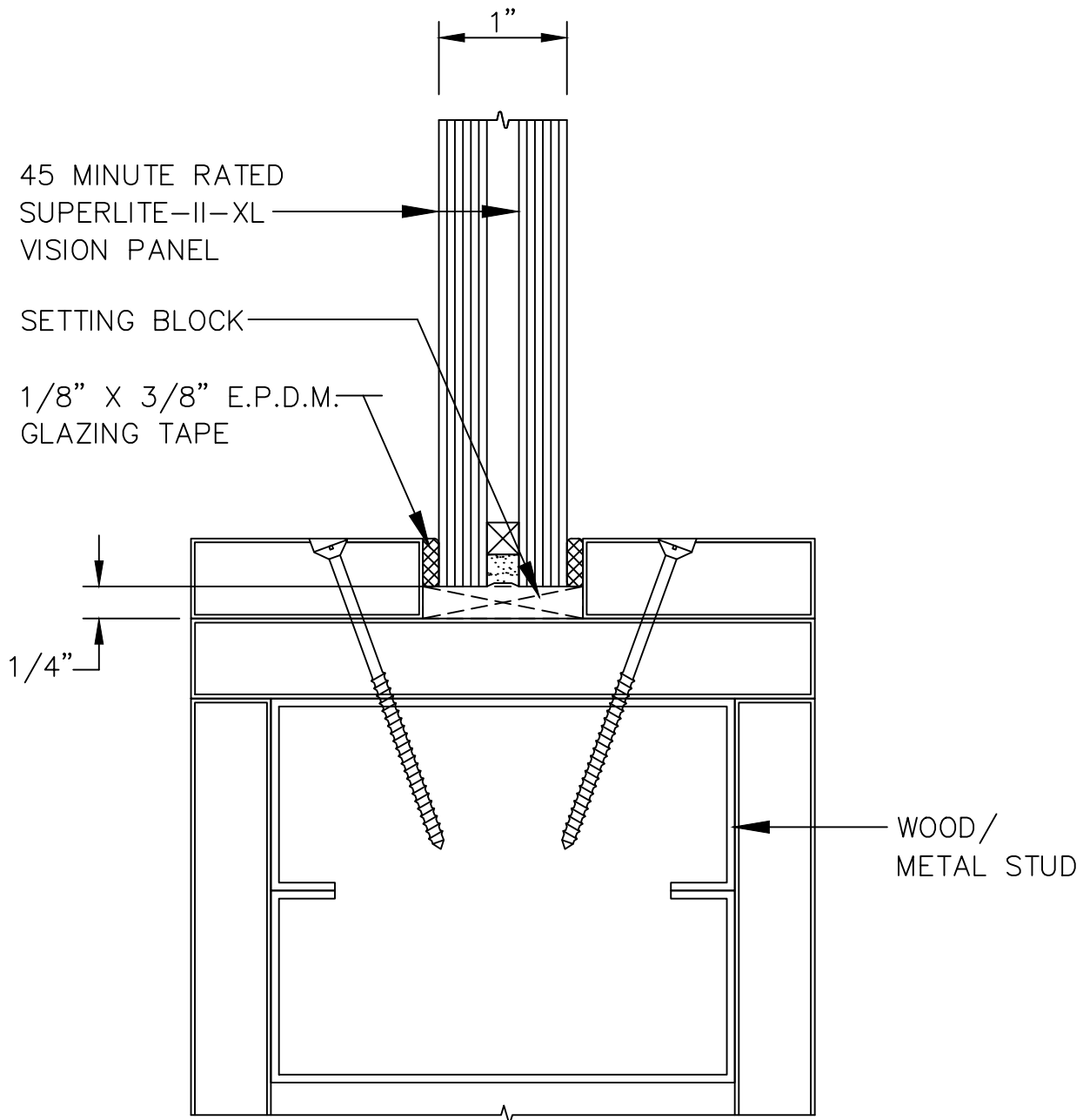


45 MINUTE FIRE RESISTIVE OPENING

—INTERIOR APPLICATION—

For more details, please visit www.safti.com



SILL DETAIL ON WOOD OR METAL STUD

SAFTIFIRST™
FIRE RATED GLAZING SOLUTIONS Since 1982
100 N. HILL DR. SUITE 12 TEL: (415) 824-4900
BRISBANE, CA 94005 FAX: (415) 824-5900

SuperLite™ II-XL
GPX E-ZFRAME

DATE:

DRAWN:

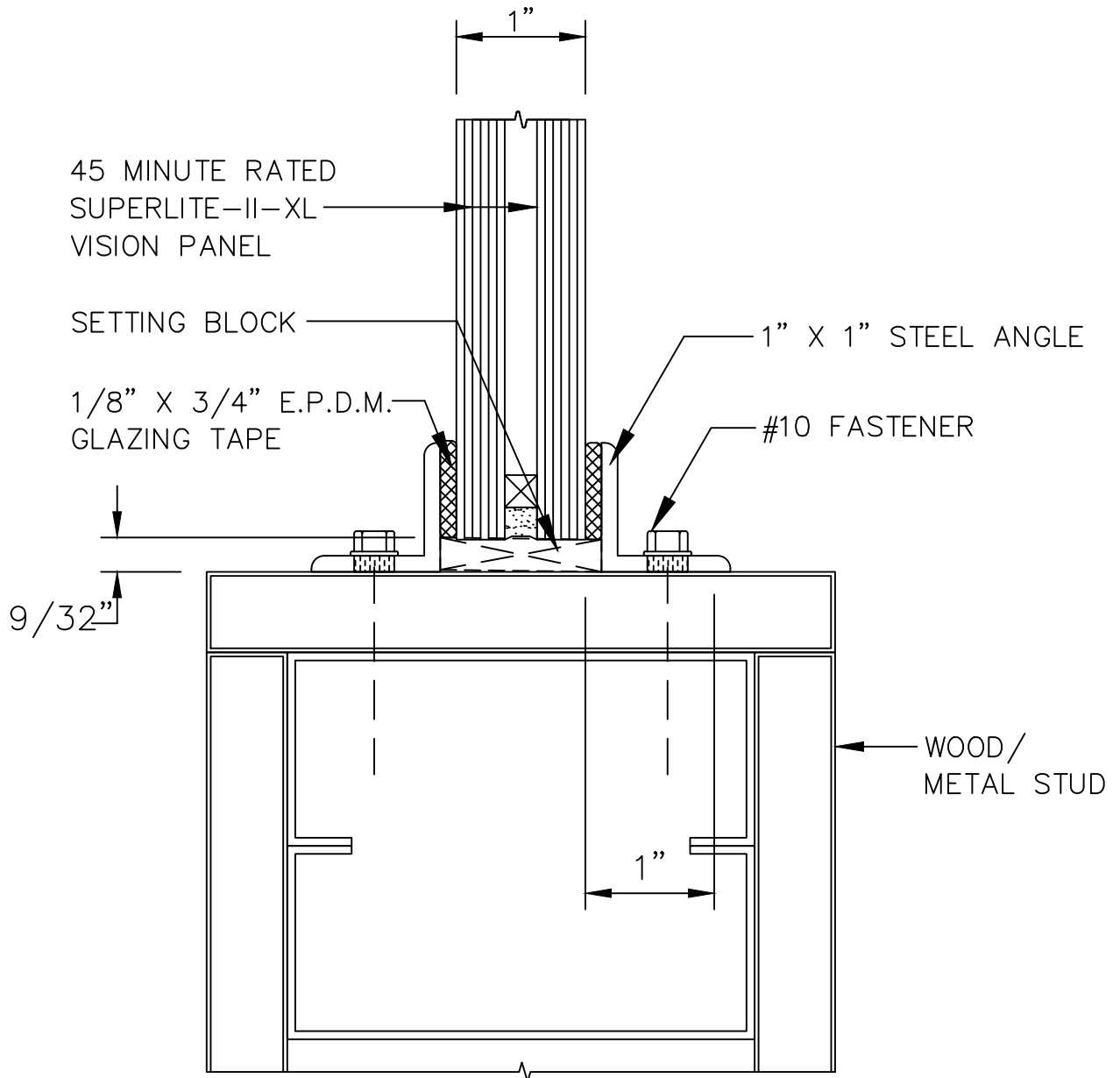
SCALE:

These details are subject to change without notice.

45 MINUTE FIRE RESISTIVE OPENING

—INTERIOR APPLICATION—

For more details, please visit www.safti.com



SILL DETAIL WITH STEEL ANGLES
ON WOOD OR METAL STUD

SAFTIFIRST™
FIRE RATED GLAZING SOLUTIONS Since 1982
100 N. HILL DR. SUITE 12 TEL: (415) 824-4900
BRISBANE, CA 94005 FAX: (415) 824-5900

SuperLite™ II-XL
GPX E-ZFRAME

DATE:

DRAWN:

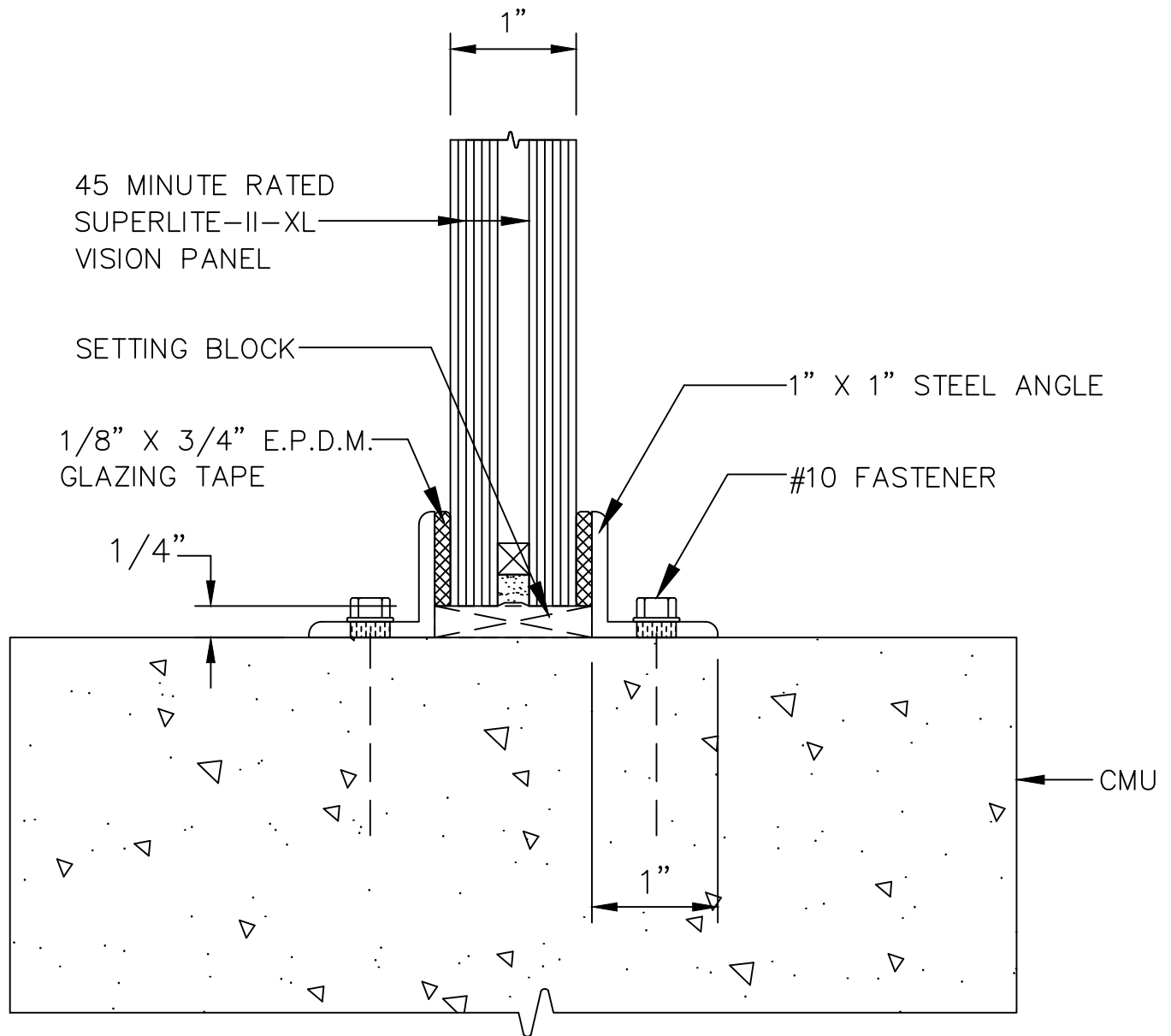
SCALE:

These details are subject to change without notice.

45 MINUTE FIRE RESISTIVE OPENING

—INTERIOR APPLICATION—

For more details, please visit www.safti.com



SILL DETAIL WITH STEEL ANGLES
ON CMU

SAFTIFIRST™
FIRE RATED GLAZING SOLUTIONS *Since 1982*
100 N. HILL DR. SUITE 12 TEL: (415) 824-4900
BRISBANE, CA 94005 FAX: (415) 824-5900

SuperLite™ II-XL
GPX E-ZFRAME

DATE:

DRAWN:

SCALE:

These details are subject to change without notice.