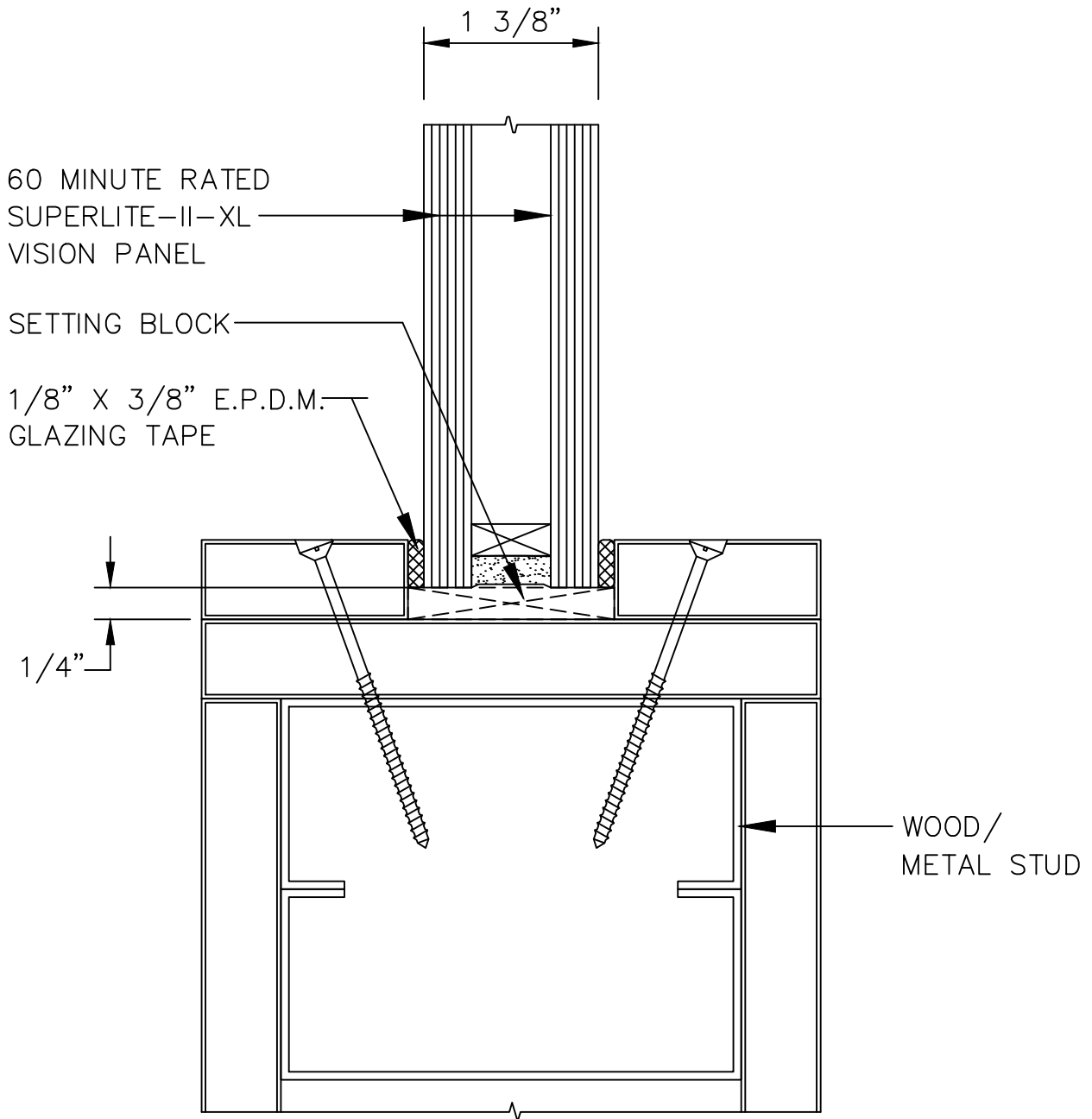


60 MINUTE OPENING

-INTERIOR APPLICATION-

For more details, please visit www.safti.com



SILL DETAIL ON WOOD OR METAL STUD

SAFTIFIRST™
FIRE RATED GLAZING SOLUTIONS *Since 1982*
100 N. HILL DR. SUITE 12 TEL: (415) 824-4900
BRISBANE, CA 94005 FAX: (415) 824-5900

SuperLite™ II-XL
GPX E-ZFRAME

DATE:

DRAWN:

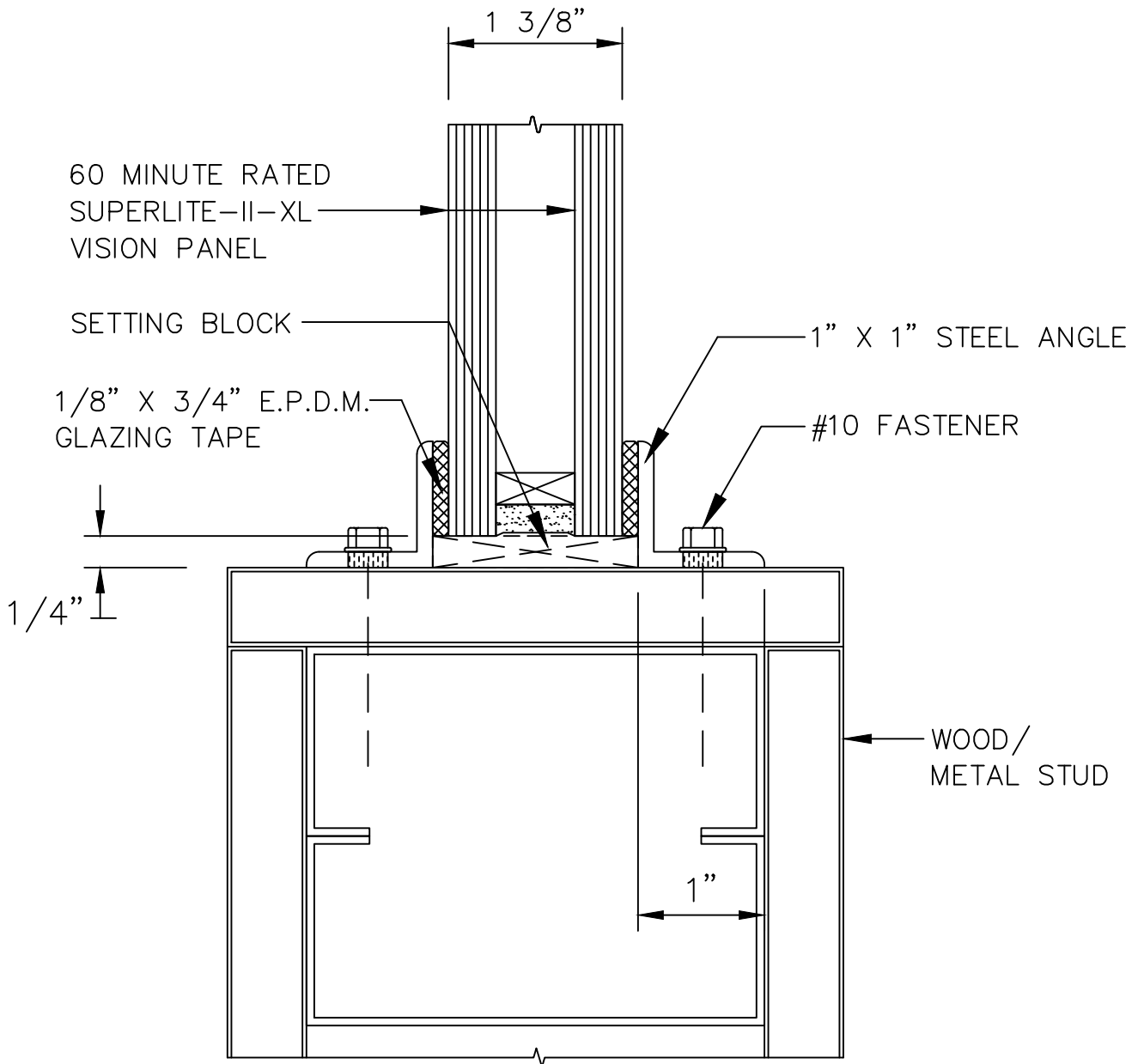
SCALE:

These details are subject to change without notice.

60 MINUTE OPENING

-INTERIOR APPLICATION-

For more details, please visit www.safti.com



SILL DETAIL WITH STEEL ANGLES
ON WOOD OR METAL STUD

SAFTIFIRST™
FIRE RATED GLAZING SOLUTIONS *Since 1982*
100 N. HILL DR. SUITE 12 TEL: (415) 824-4900
BRISBANE, CA 94005 FAX: (415) 824-5900

SuperLite™ II-XL
GPX E-ZFRAME

DATE:

DRAWN:

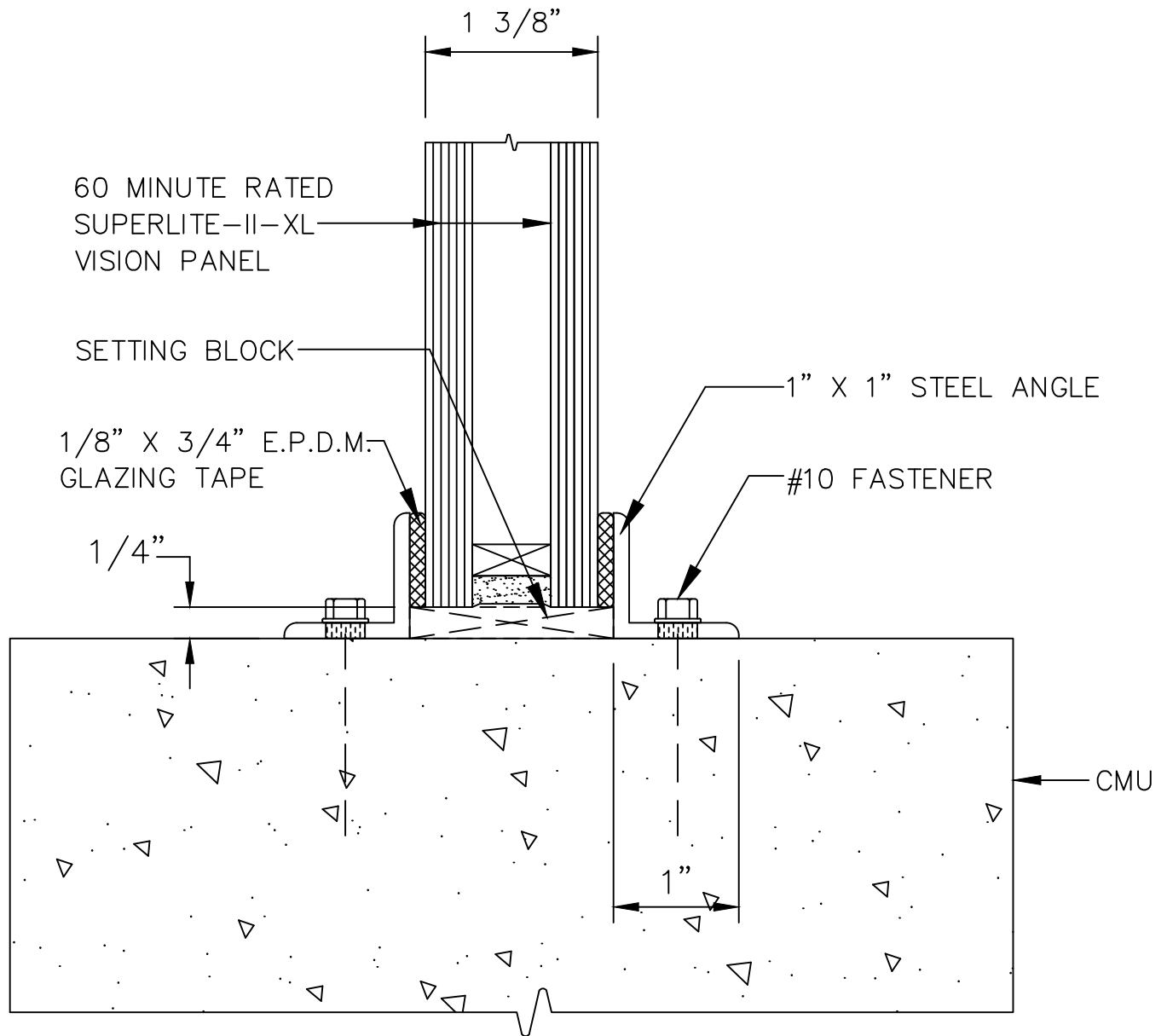
SCALE:

These details are subject to change without notice.

60 MINUTE OPENING

-INTERIOR APPLICATION-

For more details, please visit www.safti.com



SILL DETAIL WITH STEEL ANGLES
ON CMU

SAFTIFIRST™
FIRE RATED GLAZING SOLUTIONS Since 1982
100 N. HILL DR. SUITE 12 TEL: (415) 824-4900
BRISBANE, CA 94005 FAX: (415) 824-5900

SuperLite™ II-XL
GPX E-ZFRAME

DATE:

DRAWN:

SCALE:

These details are subject to change without notice.