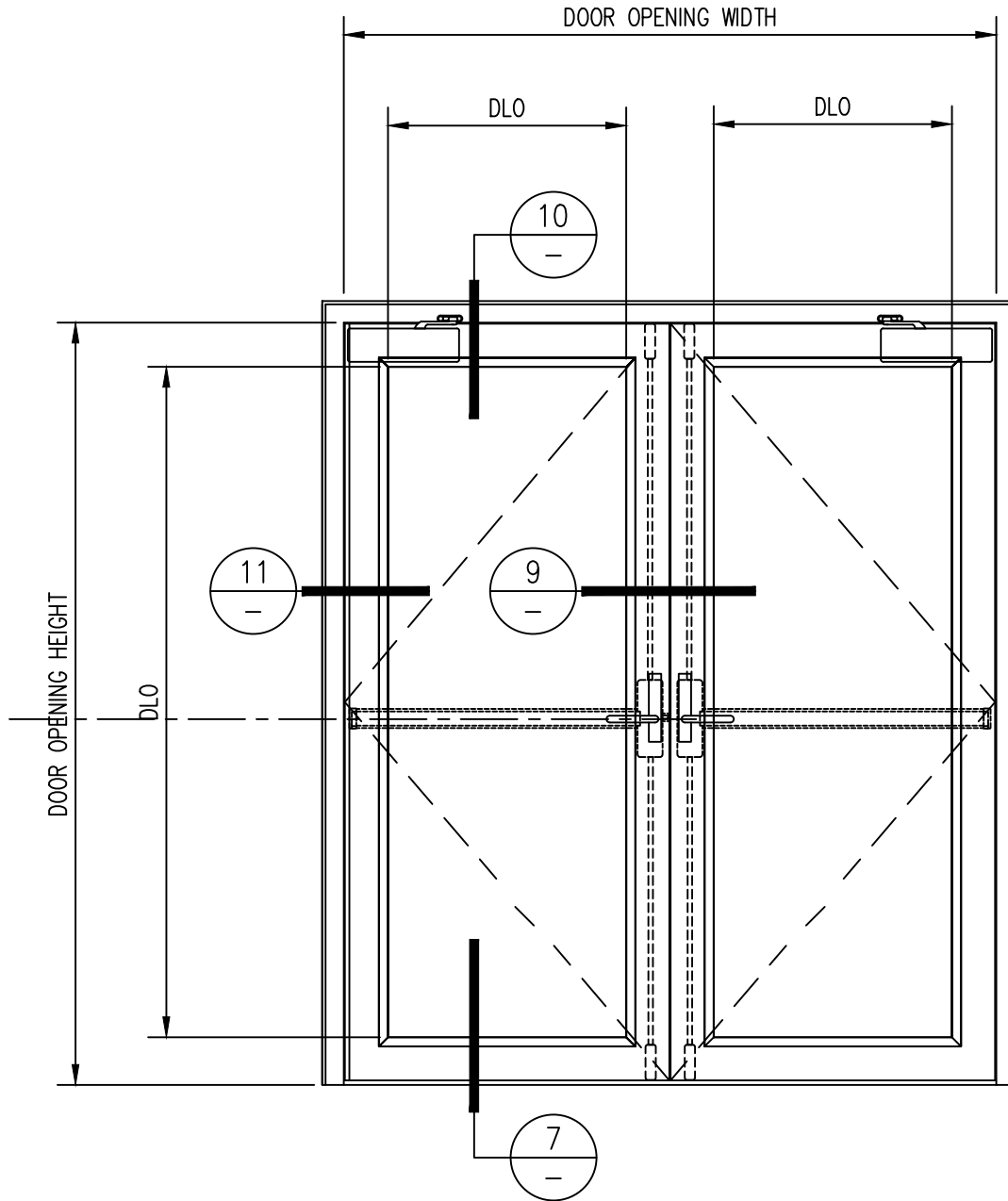


60 MINUTE NARROW PROFILE TEMPERATURE RISE DOOR PAIR

—EXTERIOR APPLICATION—

For more details, please visit www.safti.com



SAFTIFIRST™
FIRE RATED GLAZING SOLUTIONS
100 N. HILL DR. SUITE 12
BRISBANE, CA 94005

Since 1982
TEL: (415) 824-4900
FAX: (415) 824-5900

SuperLite™ II-XL
GPX BUILDERS
SERIES
TEMPERATURE RISE

DATE:

DRAWN:

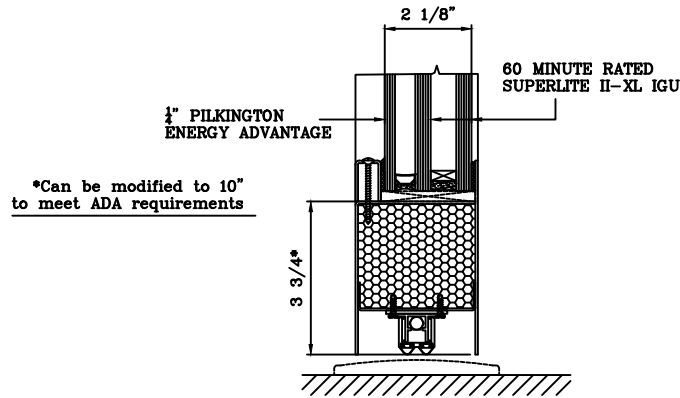
SCALE:

These details are subject to change without notice.

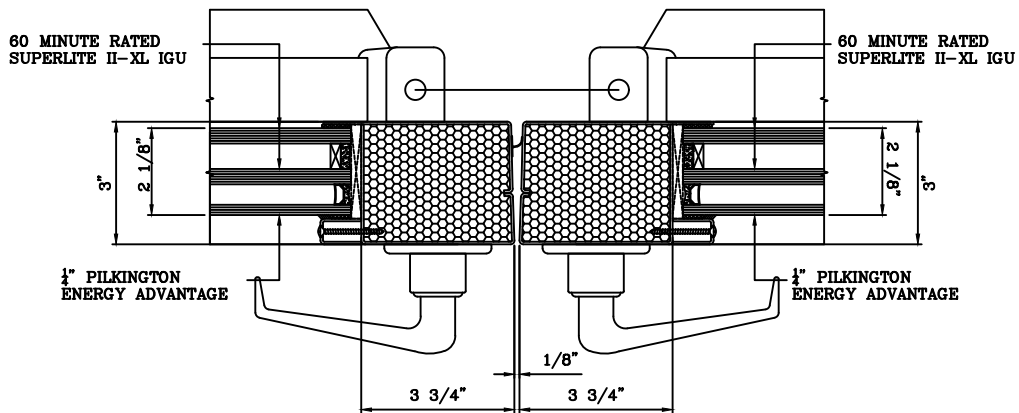
60 MINUTE NARROW PROFILE TEMPERATURE RISE DOOR PAIR

—EXTERIOR APPLICATION—

For more details, please visit www.safti.com



7 DOOR BOTTOM RAIL DETAIL



9 DOOR JAMB at LOCK DETAIL

SAFTIFIRST™
 FIRE RATED GLAZING SOLUTIONS *Since 1982*
 100 N. HILL DR. SUITE 12 TEL: (415) 824-4900
 BRISBANE, CA 94005 FAX: (415) 824-5900

SuperLite™ II-XL
GPX BUILDERS
SERIES
 TEMPERATURE RISE

DATE:

DRAWN:

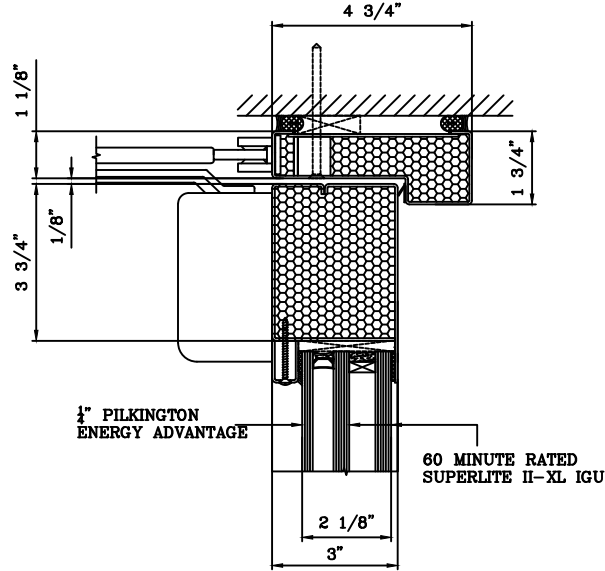
SCALE:

These details are subject to change without notice.

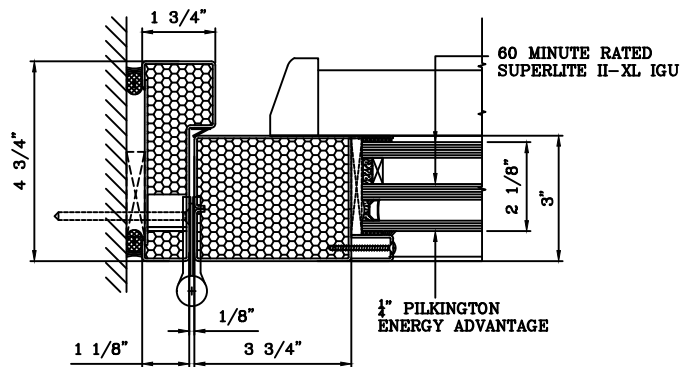
60 MINUTE NARROW PROFILE TEMPERATURE RISE DOOR PAIR

—EXTERIOR APPLICATION—

For more details, please visit www.safti.com



10 DOOR TOP RAIL DETAIL



11 DOOR JAMB at HINGE DETAIL

SAFTIFIRST™
 FIRE RATED GLAZING SOLUTIONS *Since 1982*
 100 N. HILL DR. SUITE 12 TEL: (415) 824-4900
 BRISBANE, CA 94005 FAX: (415) 824-5900

SuperLite™ II-XL
GPX BUILDERS
SERIES
TEMPERATURE RISE

DATE:

DRAWN:

SCALE:

These details are subject to change without notice.