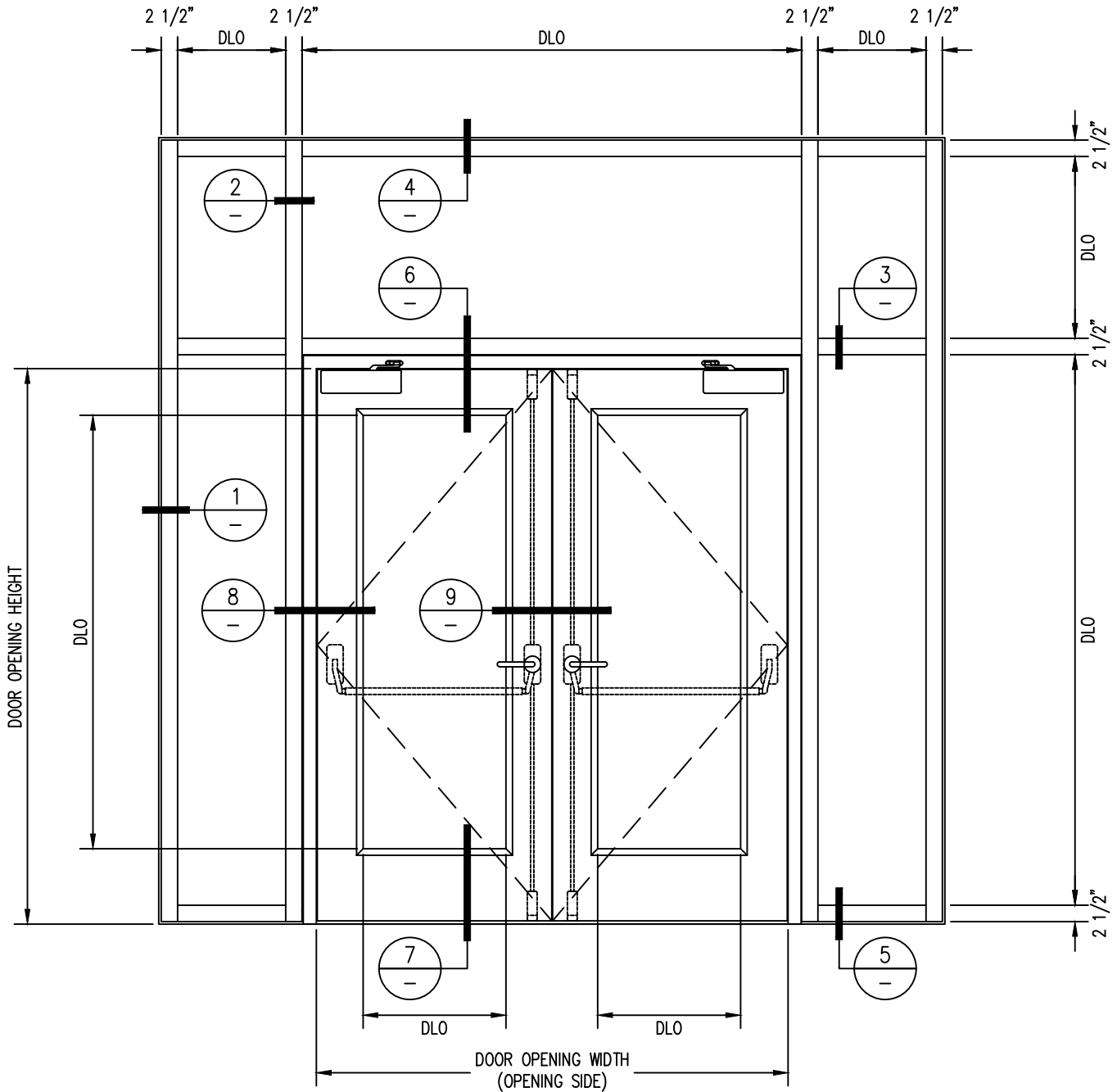


60 MINUTE TEMPERATURE RISE DOOR PAIR WITH 60 MINUTE FIRE RESISTIVE GPX WALL/WINDOW -INTERIOR APPLICATION-

For more details, please visit www.safti.com



SAFTIFIRST™
 FIRE RATED GLAZING SOLUTIONS *Since 1982*
 100 N. HILL DR. SUITE 12 TEL: (415) 824-4900
 BRISBANE, CA 94005 FAX: (415) 824-5900

SuperLite™ II-XL
GPX BUILDERS SERIES
 TEMPERATURE RISE

DATE:

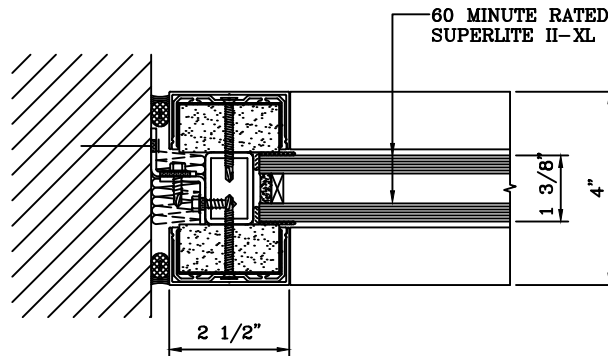
DRAWN:

SCALE:

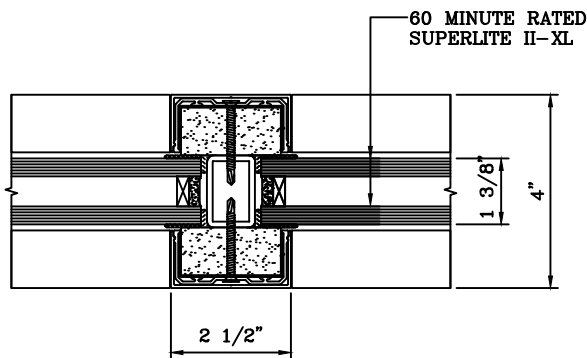
These details are subject to change without notice.

60 MINUTE TEMPERATURE RISE DOOR PAIR
WITH 60 MINUTE FIRE RESISTIVE GPX WALL/WINDOW
 -INTERIOR APPLICATION-

For more details, please visit www.safti.com



1 JAMB DETAIL
-



2 VERTICAL MULLION DETAIL
-

SAFTIFIRST™
 FIRE RATED GLAZING SOLUTIONS *Since 1982*
 100 N. HILL DR. SUITE 12 TEL: (415) 824-4900
 BRISBANE, CA 94005 FAX: (415) 824-5900

SuperLite™ II-XL
GPX BUILDERS
SERIES
 TEMPERATURE RISE

DATE:

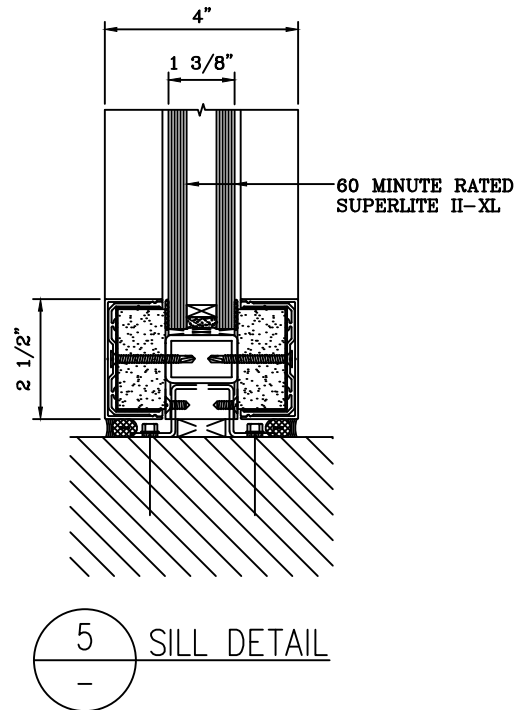
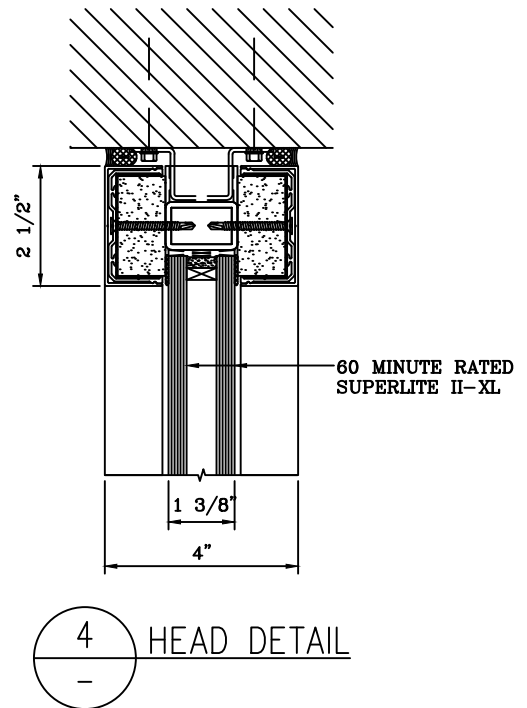
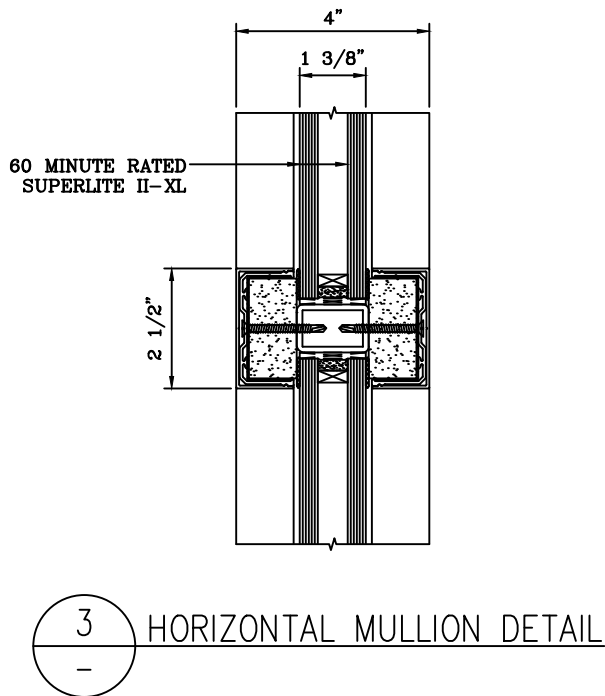
DRAWN:

SCALE:

These details are subject to change without notice.

60 MINUTE TEMPERATURE RISE DOOR PAIR WITH 60 MINUTE FIRE RESISTIVE GPX WALL/WINDOW -INTERIOR APPLICATION-

For more details, please visit www.safti.com



SAFTIFIRST™
FIRE RATED GLAZING SOLUTIONS *Since 1982*
100 N. HILL DR. SUITE 12 TEL: (415) 824-4900
BRISBANE, CA 94005 FAX: (415) 824-5900

SuperLite™ II-XL
GPX BUILDERS SERIES
TEMPERATURE RISE

DATE:

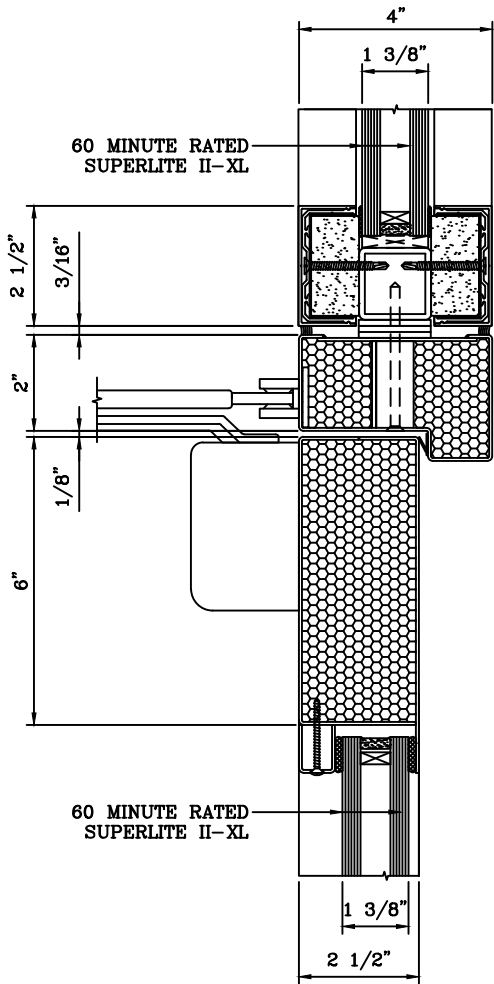
DRAWN:

SCALE:

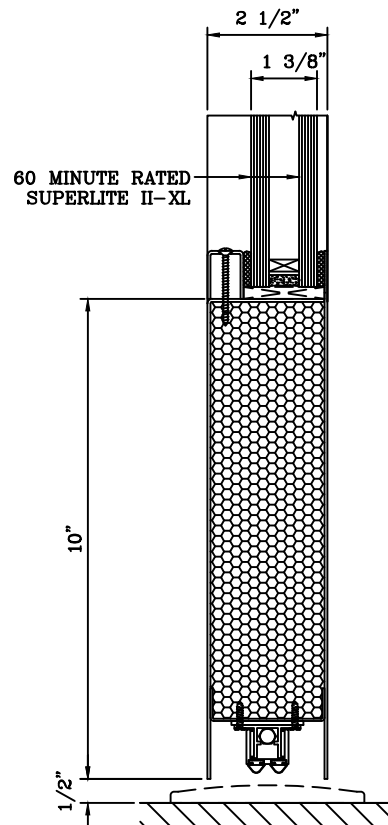
These details are subject to change without notice.

60 MINUTE TEMPERATURE RISE DOOR PAIR WITH 60 MINUTE FIRE RESISTIVE GPX WALL/WINDOW -INTERIOR APPLICATION-

For more details, please visit www.safti.com



6 DOOR TOP RAIL DETAIL



7 DOOR BOTTOM RAIL DETAIL

SAFTIFIRST™
FIRE RATED GLAZING SOLUTIONS *Since 1982*
100 N. HILL DR. SUITE 12 TEL: (415) 824-4900
BRISBANE, CA 94005 FAX: (415) 824-5900

SuperLite™ II-XL
GPX BUILDERS
SERIES
TEMPERATURE RISE

DATE:

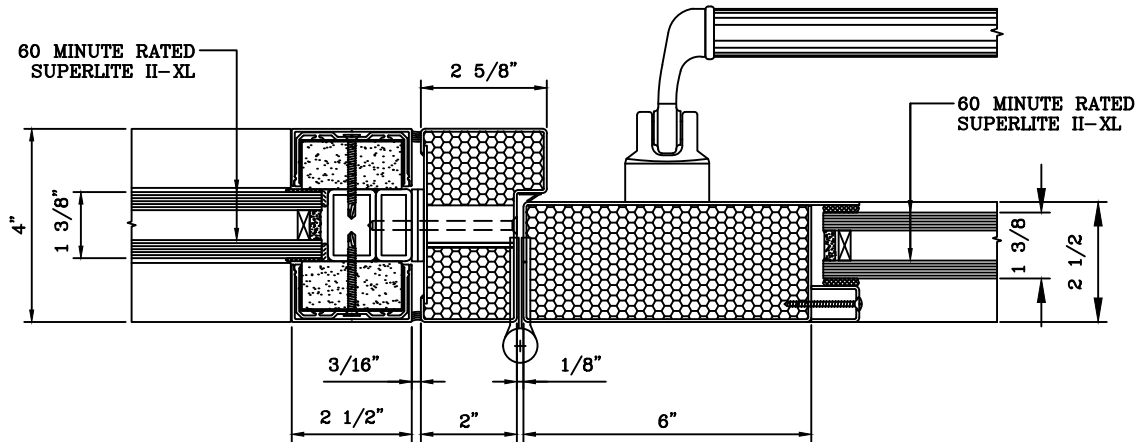
DRAWN:

SCALE:

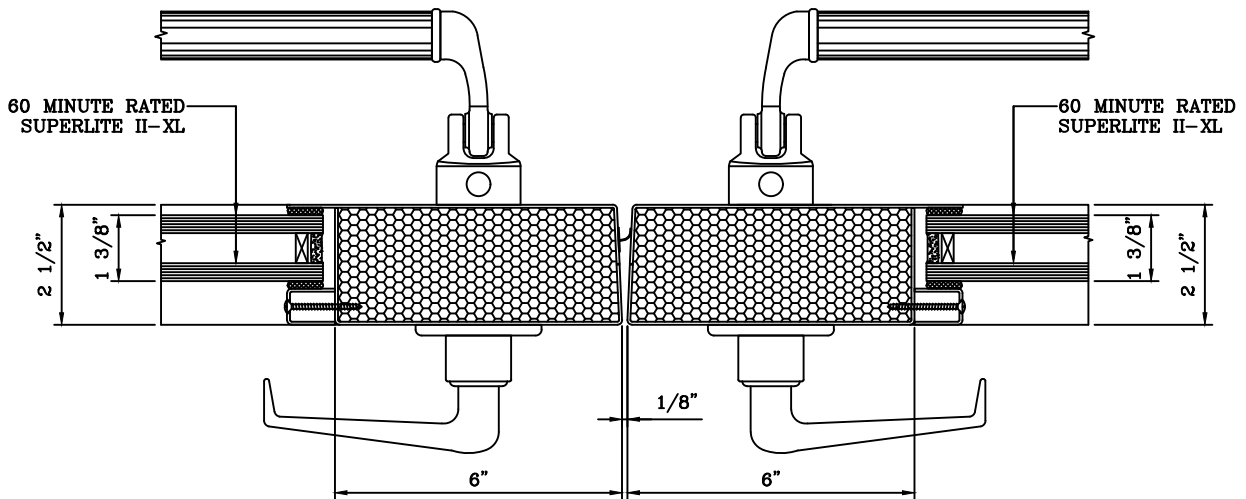
These details are subject to change without notice.

60 MINUTE TEMPERATURE RISE DOOR PAIR WITH 60 MINUTE FIRE RESISTIVE GPX WALL/WINDOW - INTERIOR APPLICATION -

For more details, please visit www.safti.com



8 DOOR JAMB at HINGE DETAIL



9 DOOR MEETING STILES DETAIL

SAFTIFIRST™
FIRE RATED GLAZING SOLUTIONS Since 1982
100 N. HILL DR. SUITE 12 TEL: (415) 824-4900
BRISBANE, CA 94005 FAX: (415) 824-5900

SuperLite™ II-XL
GPX BUILDERS
SERIES
TEMPERATURE PAIR

DATE:

DRAWN:

SCALE:

These details are subject to change without notice.