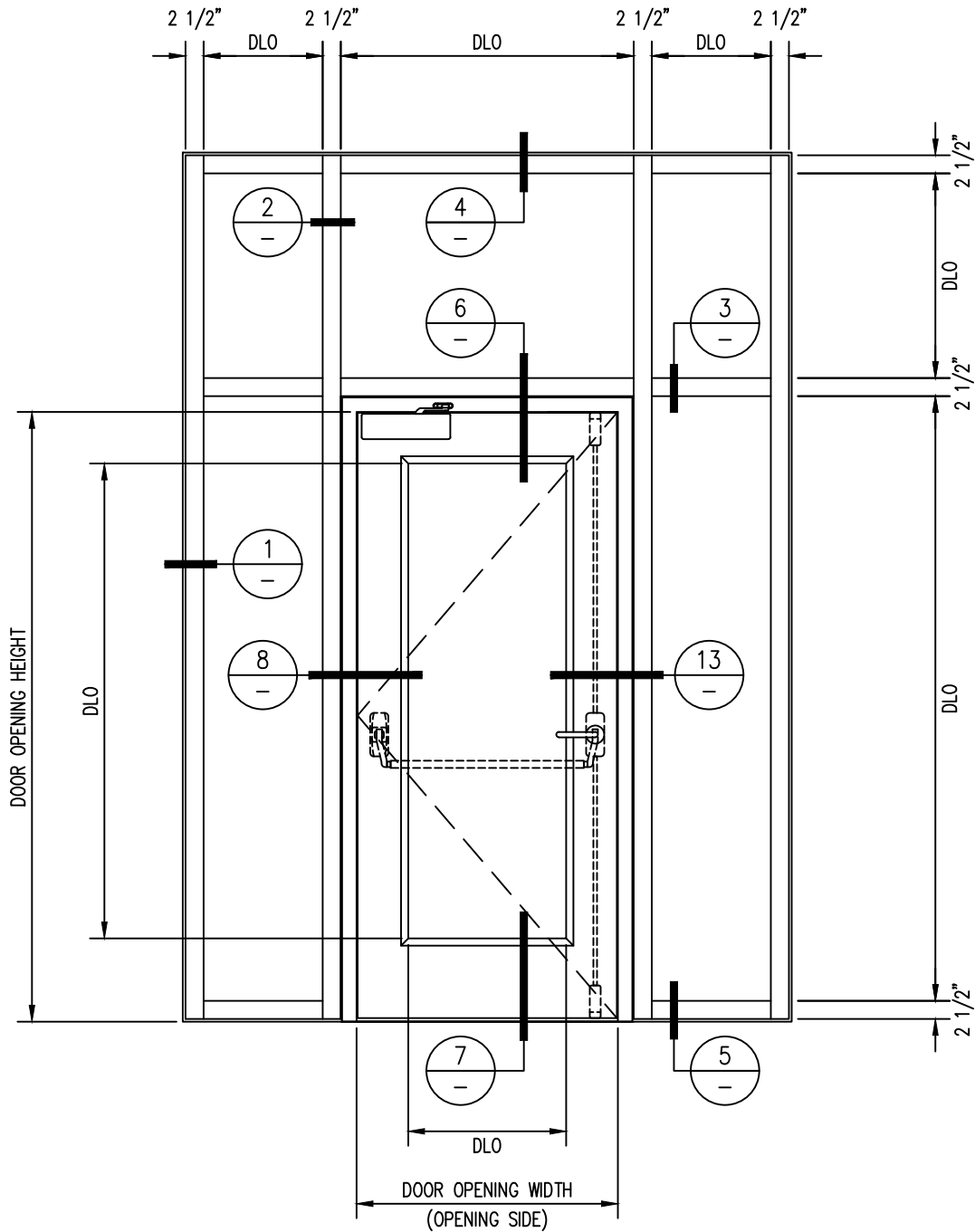


# 60 MINUTE TEMPERATURE RISE SINGLE DOOR WITH 60 MINUTE FIRE RESISTIVE GPX WALL/WINDOW -EXTERIOR APPLICATION-

For more details, please visit [www.safti.com](http://www.safti.com)



**SAFTIFIRST™**  
 FIRE RATED GLAZING SOLUTIONS *Since 1982*  
 100 N. HILL DR. SUITE 12 TEL: (415) 824-4900  
 BRISBANE, CA 94005 FAX: (415) 824-5900

**SuperLite™ II<sup>XL</sup>**  
**GPX BUILDERS SERIES**  
TEMPERATURE RISE

DATE:

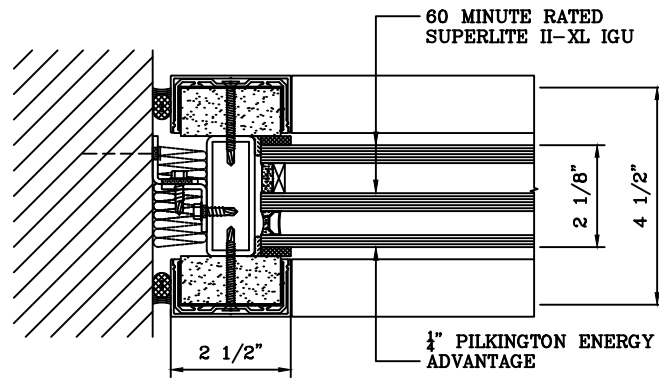
DRAWN:

SCALE:

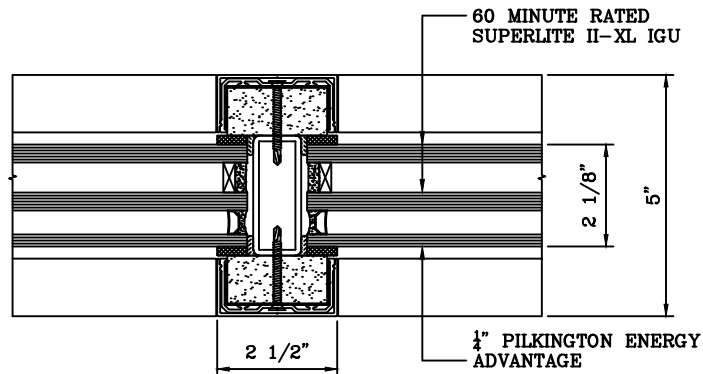
These details are subject to change without notice.

# 60 MINUTE TEMPERATURE RISE SINGLE DOOR WITH 60 MINUTE FIRE RESISTIVE GPX WALL/WINDOW - EXTERIOR APPLICATION -

For more details, please visit [www.safti.com](http://www.safti.com)



1  
- JAMB DETAIL



2  
- VERTICAL MULLION DETAIL

**SAFTIFIRST™**  
FIRE RATED GLAZING SOLUTIONS *Since 1982*  
100 N. HILL DR. SUITE 12 TEL: (415) 824-4900  
BRISBANE, CA 94005 FAX: (415) 824-5900

**SuperLite™ II-XL**  
**GPX BUILDERS**  
**SERIES**  
TEMPERATURE RISE

DATE:

DRAWN:

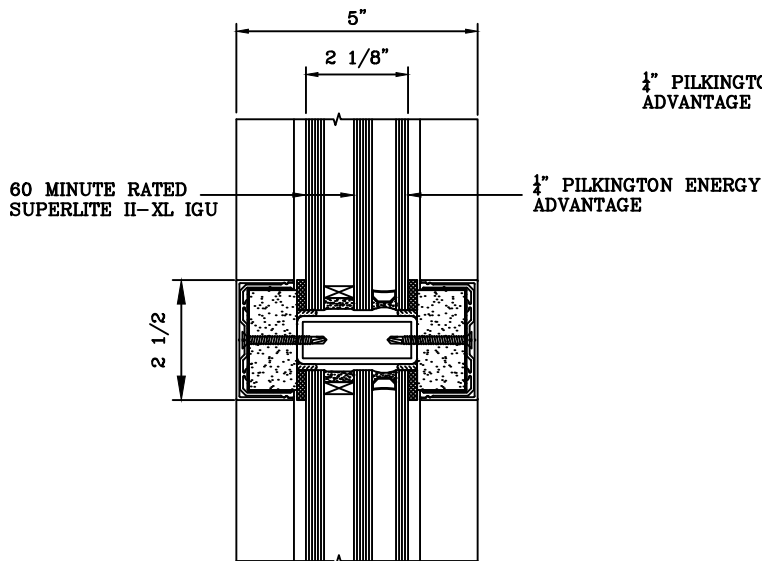
SCALE:

These details are subject to change without notice.

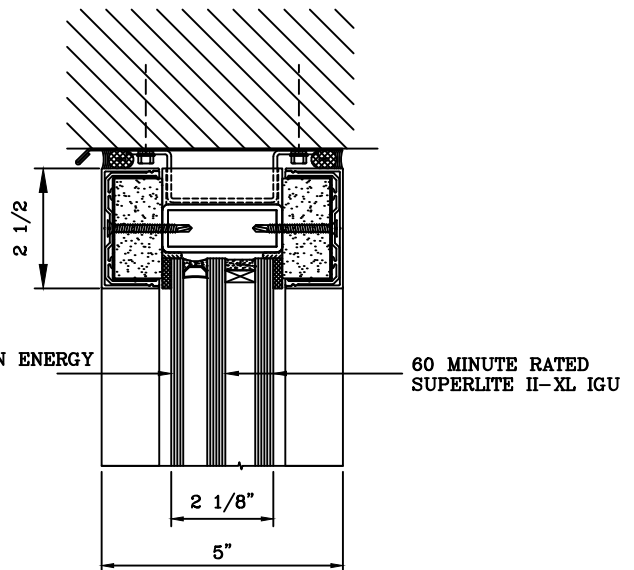
# 60 MINUTE TEMPERATURE RISE SINGLE DOOR WITH 60 MINUTE FIRE RESISTIVE GPX WALL/WINDOW

- EXTERIOR APPLICATION -

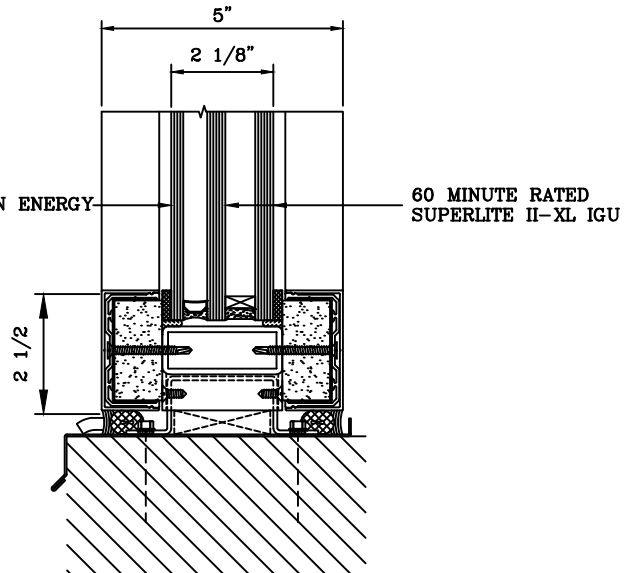
For more details, please visit [www.safti.com](http://www.safti.com)



3 HORIZONTAL MULLION DETAIL



4 HEAD DETAIL



5 SILL DETAIL

**SAFTIFIRST™**  
 FIRE RATED GLAZING SOLUTIONS *Since 1982*  
 100 N. HILL DR. SUITE 12 TEL: (415) 824-4900  
 BRISBANE, CA 94005 FAX: (415) 824-5900

**SuperLite™ II-XL**  
**GPX BUILDERS**  
**SERIES**  
TEMPERATURE RISE

DATE:

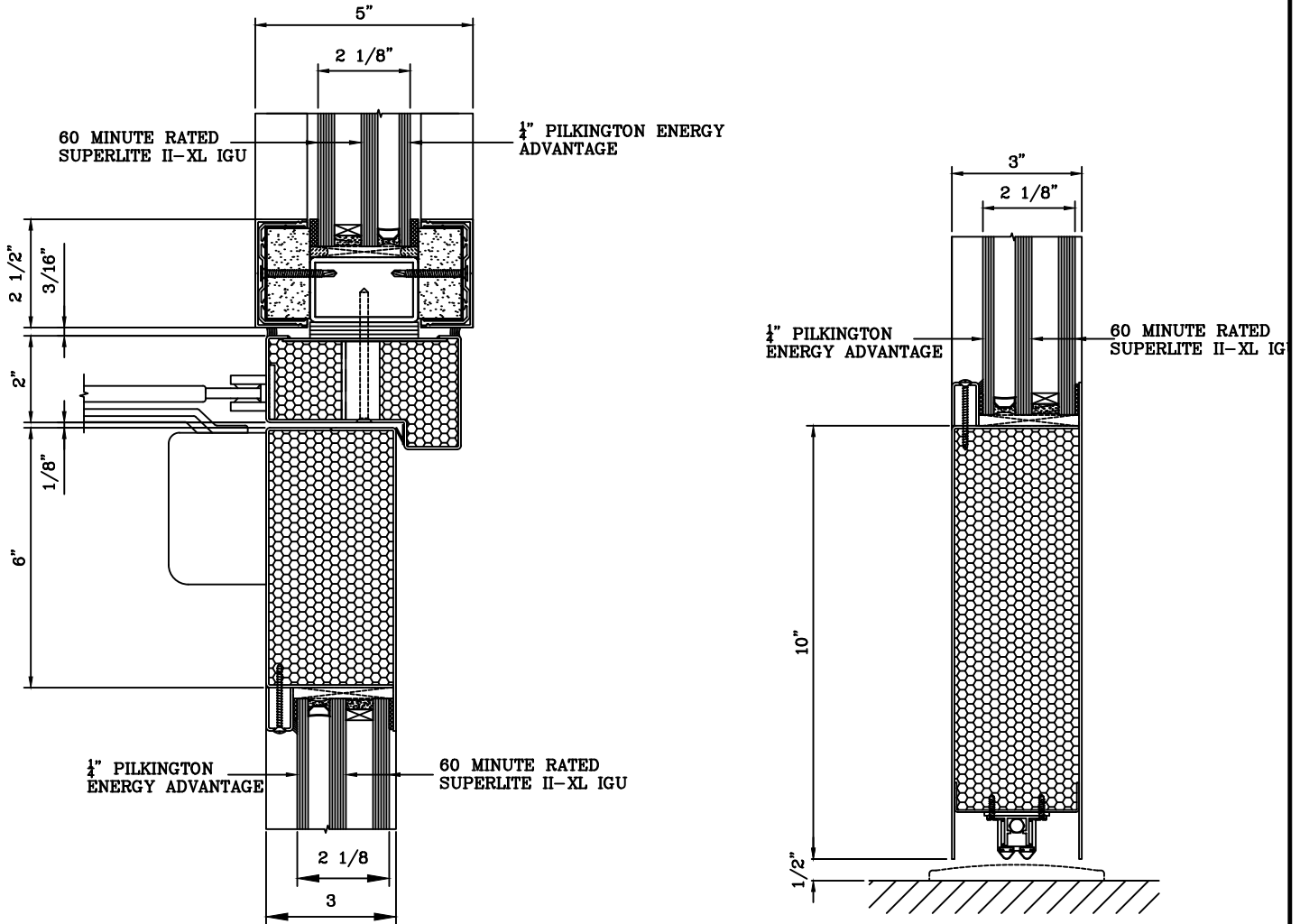
DRAWN:

SCALE:

These details are subject to change without notice.

# 60 MINUTE TEMPERATURE RISE SINGLE DOOR WITH 60 MINUTE FIRE RESISTIVE GPX WALL/WINDOW - EXTERIOR APPLICATION -

For more details, please visit [www.safti.com](http://www.safti.com)



(6) DOOR TOP RAIL DETAIL

(7) DOOR BOTTOM RAIL DETAIL

**SAFTIFIRST™**  
 FIRE RATED GLAZING SOLUTIONS *Since 1982*  
 100 N. HILL DR. SUITE 12 TEL: (415) 824-4900  
 BRISBANE, CA 94005 FAX: (415) 824-5900

**SuperLite™ II-XL**  
**GPX BUILDERS**  
**SERIES**  
TEMPERATURE RISE

DATE:

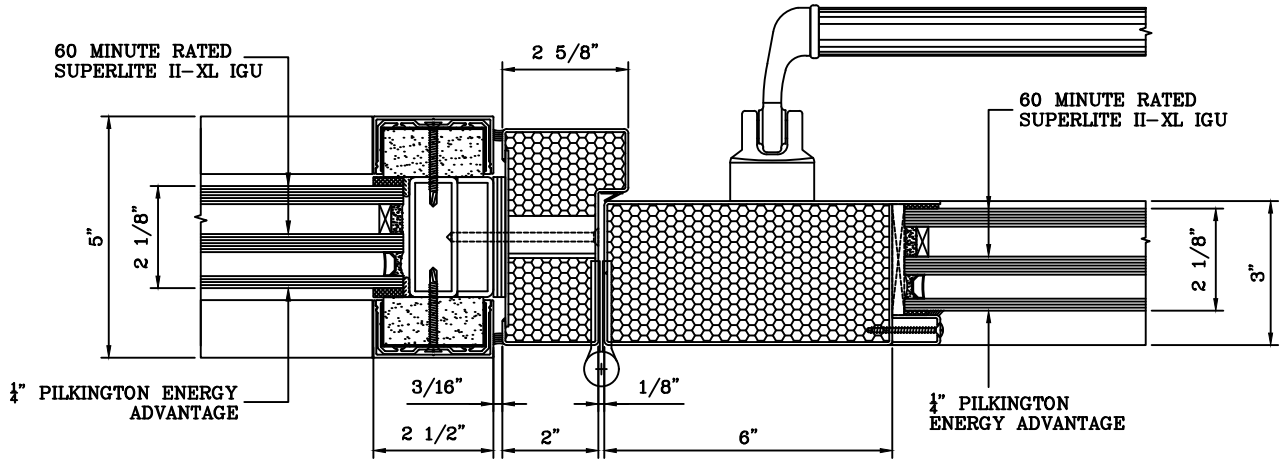
DRAWN:

SCALE:

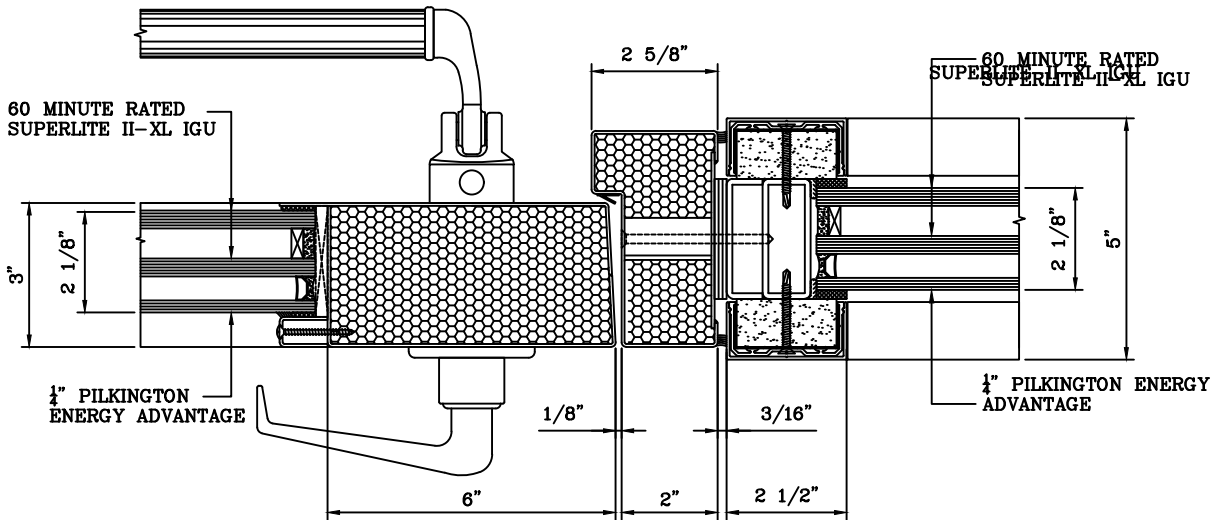
These details are subject to change without notice.

# 60 MINUTE TEMPERATURE RISE SINGLE DOOR WITH 60 MINUTE FIRE RESISTIVE GPX WALL/WINDOW - EXTERIOR APPLICATION -

For more details, please visit [www.safti.com](http://www.safti.com)



8 DOOR JAMB at HINGE DETAIL



13 DOOR JAMB at LOCK DETAIL

**SAFTIFIRST™**  
FIRE RATED GLAZING SOLUTIONS *Since 1982*  
100 N. HILL DR. SUITE 12 TEL: (415) 824-4900  
BRISBANE, CA 94005 FAX: (415) 824-5900

**SuperLite™ II-XL**  
**GPX BUILDERS**  
**SERIES**  
TEMPERATURE RISE

DATE:

DRAWN:

SCALE:

These details are subject to change without notice.