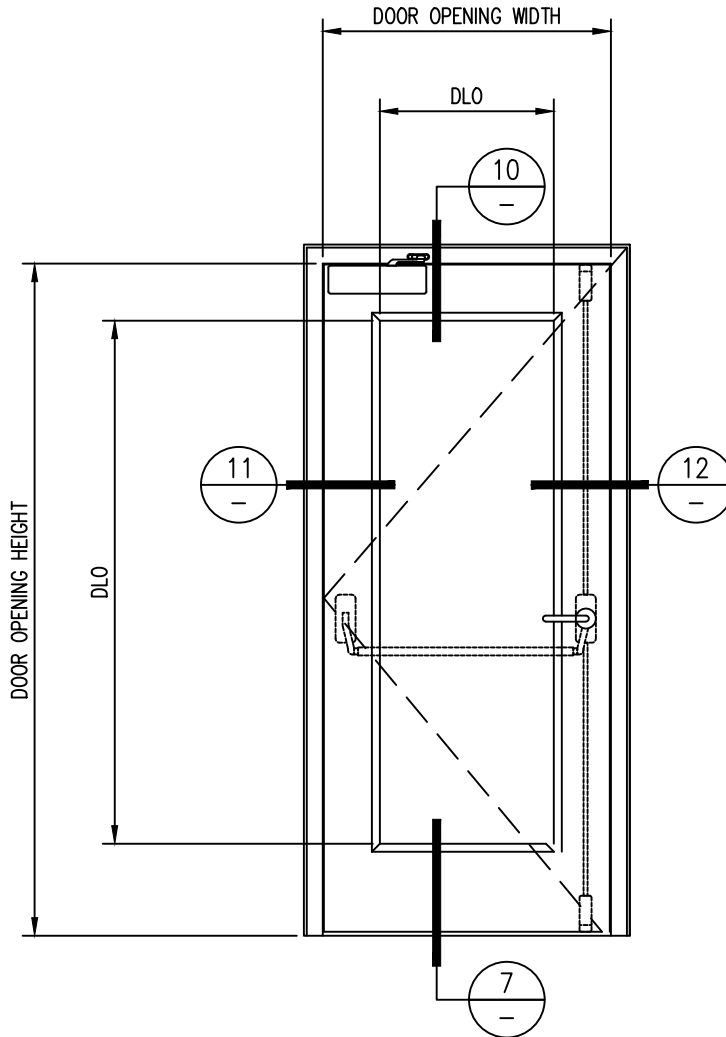


# 60 MINUTE TEMPERATURE RISE SINGLE DOOR – INTERIOR APPLICATION –

For more details, please visit [www.safti.com](http://www.safti.com)



**SAFTIFIRST™**  
 FIRE RATED GLAZING SOLUTIONS *Since 1982*  
 100 N. HILL DR. SUITE 12 TEL: (415) 824-4900  
 BRISBANE, CA 94005 FAX: (415) 824-5900

**SuperLite™ II-XL**  
**GPX BUILDERS**  
**SERIES**  
 TEMPERATURE RISE

DATE:

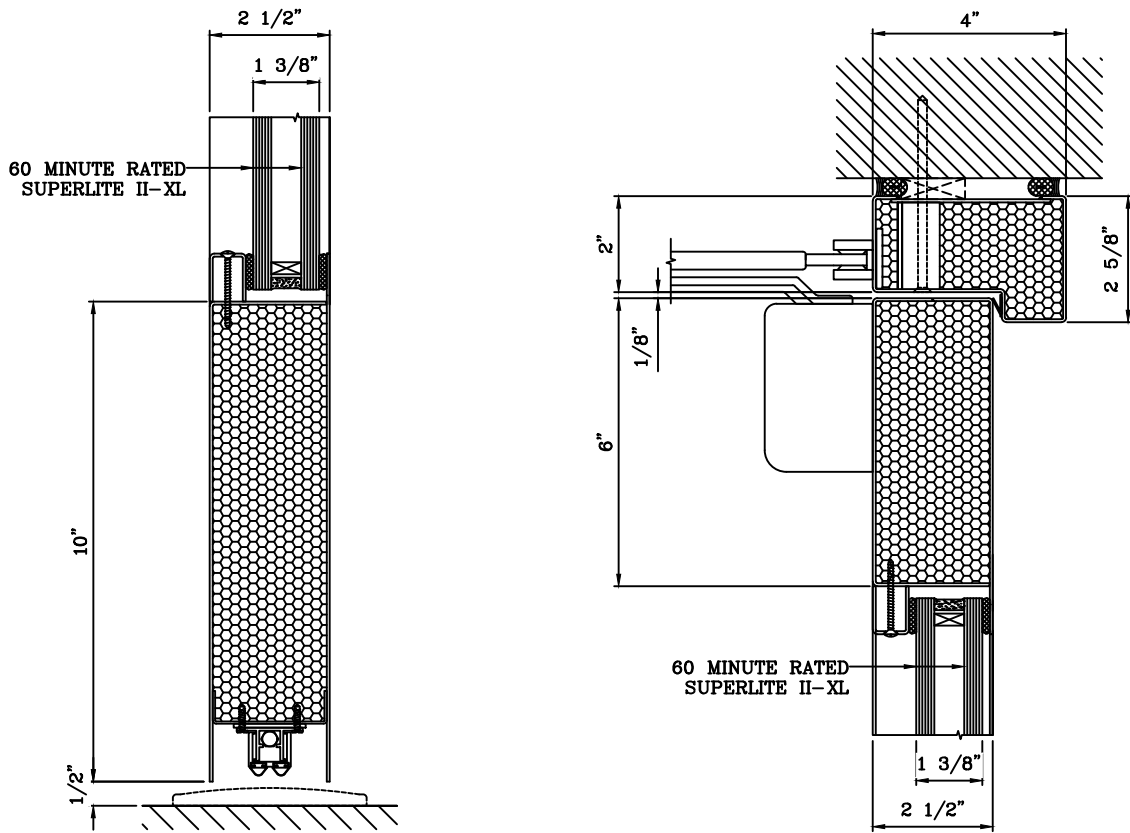
DRAWN:

SCALE:

These details are subject to change without notice.

# 60 MINUTE TEMPERATURE RISE SINGLE DOOR — INTERIOR APPLICATION —

For more details, please visit [www.safti.com](http://www.safti.com)



(7) DOOR BOTTOM RAIL DETAIL

(10) DOOR TOP RAIL DETAIL

**SAFTIFIRST™**  
 FIRE RATED GLAZING SOLUTIONS *Since 1982*  
 100 N. HILL DR. SUITE 12 TEL: (415) 824-4900  
 BRISBANE, CA 94005 FAX: (415) 824-5900

**SuperLite™ II-XL**  
**GPX BUILDERS**  
**SERIES**  
 TEMPERATURE RISE

DATE:

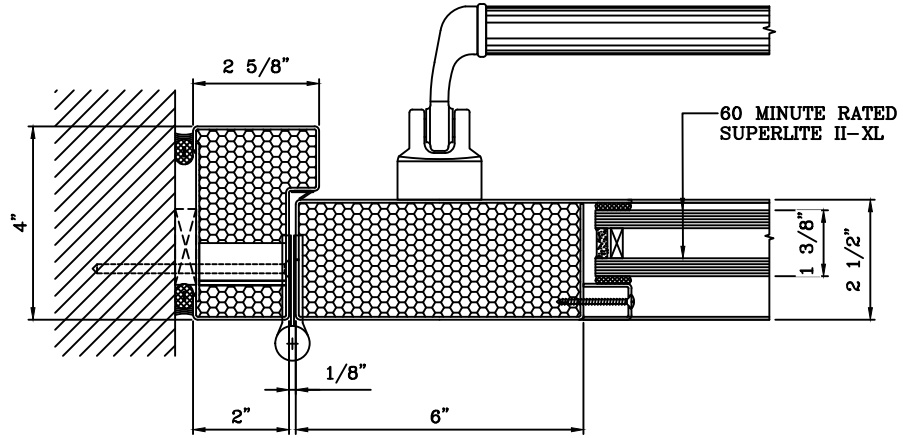
DRAWN:

SCALE:

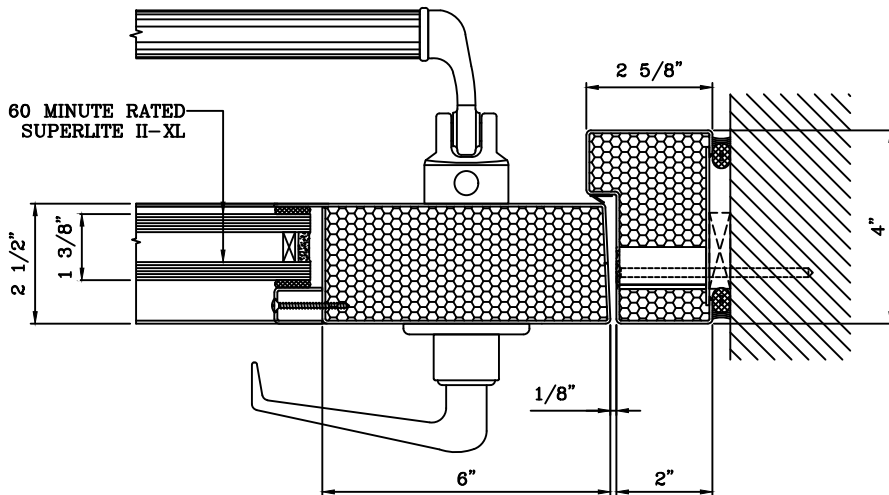
These details are subject to change without notice.

# 60 MINUTE TEMPERATURE RISE SINGLE DOOR — INTERIOR APPLICATION —

For more details, please visit [www.safti.com](http://www.safti.com)



11 DOOR JAMB at HINGE DETAIL



12 DOOR JAMB at LOCK DETAIL

**SAFTIFIRST™**  
FIRE RATED GLAZING SOLUTIONS Since 1982  
100 N. HILL DR. SUITE 12 TEL: (415) 824-4900  
BRISBANE, CA 94005 FAX: (415) 824-5900

**SuperLite™ II-XL**  
**GPX BUILDERS**  
**SERIES**  
TEMPERATURE RISE

DATE:

DRAWN:

SCALE:

These details are subject to change without notice.