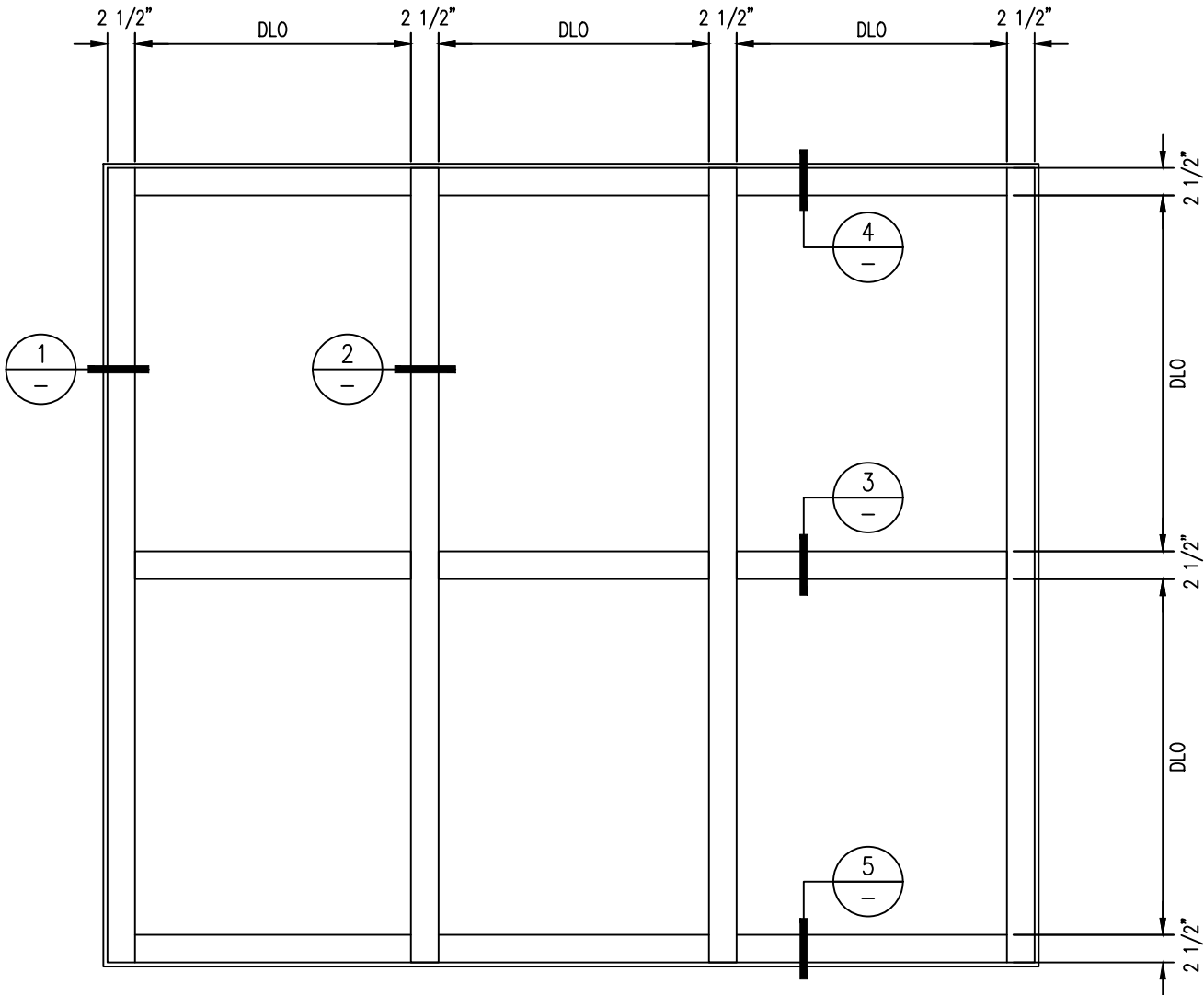


120 MINUTE FIRE RESISTIVE GPX WALL/WINDOW

—EXTERIOR APPLICATION—

For more details, please visit www.safti.com



SAFTIFIRST™
FIRE RATED GLAZING SOLUTIONS *Since 1982*
100 N. HILL DR. SUITE 12 TEL: (415) 824-4900
BRISBANE, CA 94005 FAX: (415) 824-5900

SuperLite™ III-XL
GPX ARCHITECTURAL
SERIES

DATE:

DRAWN:

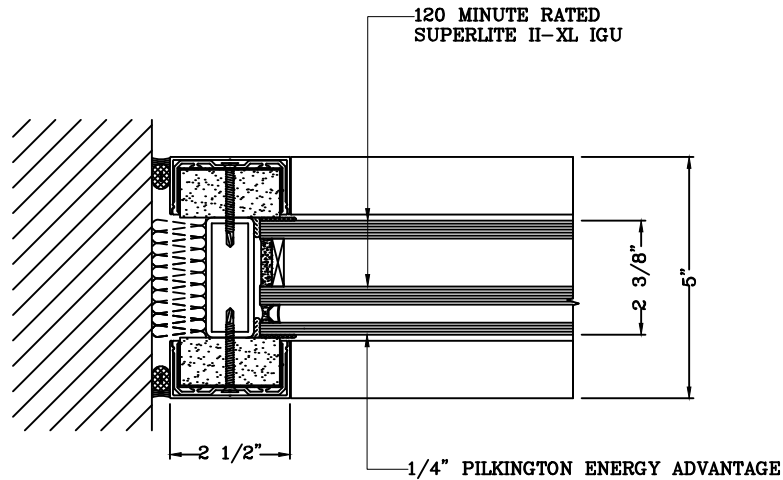
SCALE:

These details are subject to change without notice.

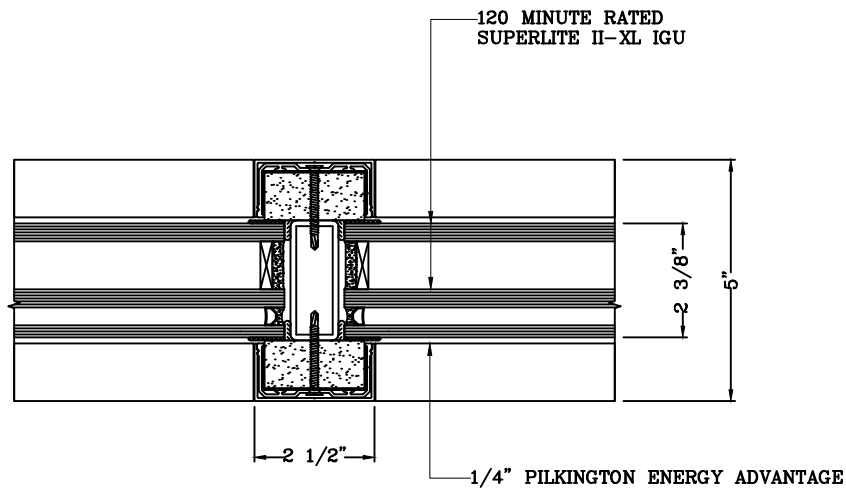
120 MINUTE FIRE RESISTIVE GPX WALL/WINDOW

-EXTERIOR APPLICATION-

For more details, please visit www.safti.com



1 JAMB DETAIL



2 VERTICAL MULLION DETAIL

SAFTIFIRST™
FIRE RATED GLAZING SOLUTIONS
100 N. HILL DR. SUITE 12
BRISBANE, CA 94005

Since 1982
TEL: (415) 824-4900
FAX: (415) 824-5900

SuperLite™ II-XL
GPX ARCHITECTURAL
S E R I E S

DATE:

DRAWN:

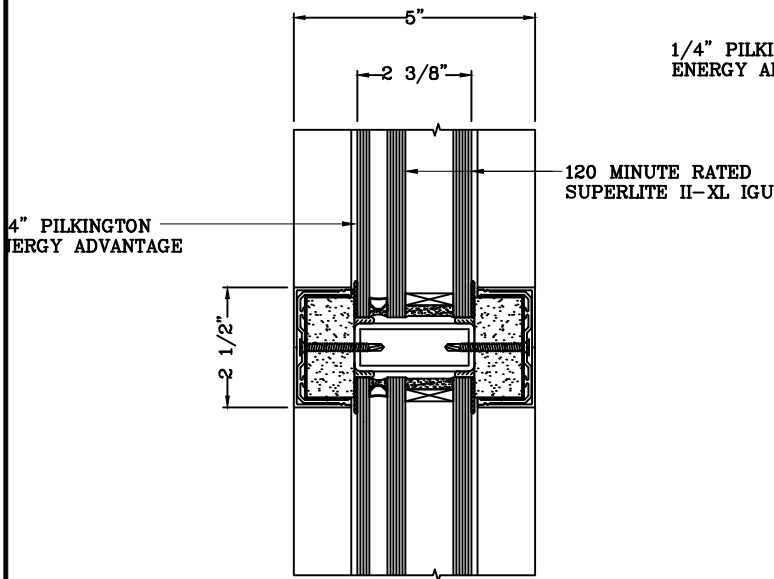
SCALE:

These details are subject to change without notice.

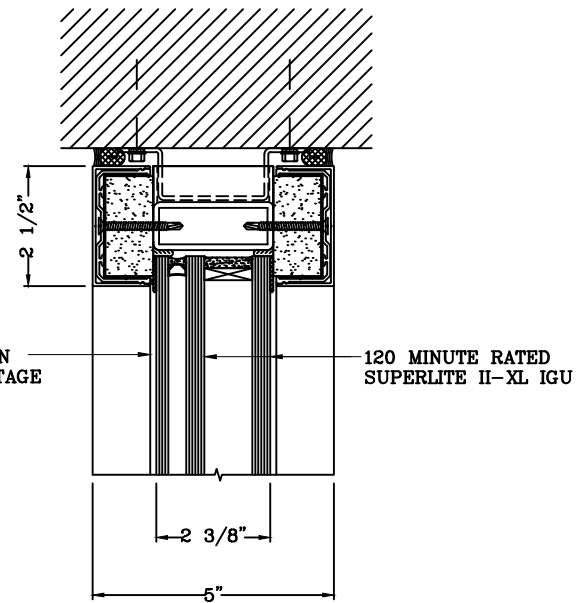
120 MINUTE FIRE RESISTIVE GPX WALL/WINDOW

- EXTERIOR APPLICATION -

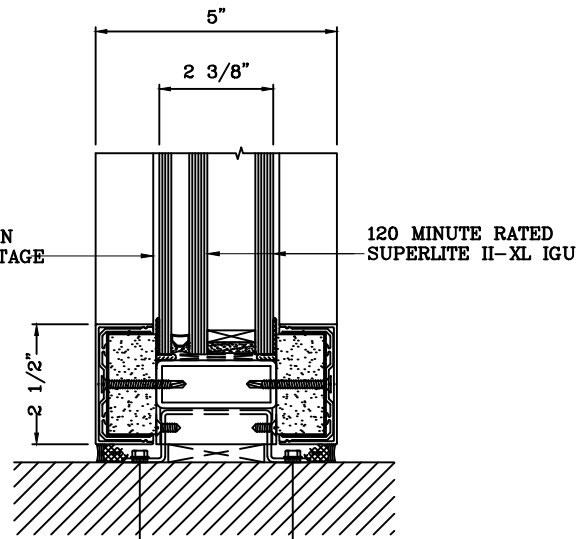
For more details, please visit www.safti.com



3 HORIZONTAL MULLION DETAIL



4 HEAD DETAIL



5 SILL DETAIL

SAFTIFIRST™
 FIRE RATED GLAZING SOLUTIONS *Since 1982*
 100 N. HILL DR. SUITE 12 TEL: (415) 824-4900
 BRISBANE, CA 94005 FAX: (415) 824-5900

SuperLite™ II-XL
GPX ARCHITECTURAL
S E R I E S

DATE:

DRAWN:

SCALE:

These details are subject to change without notice.