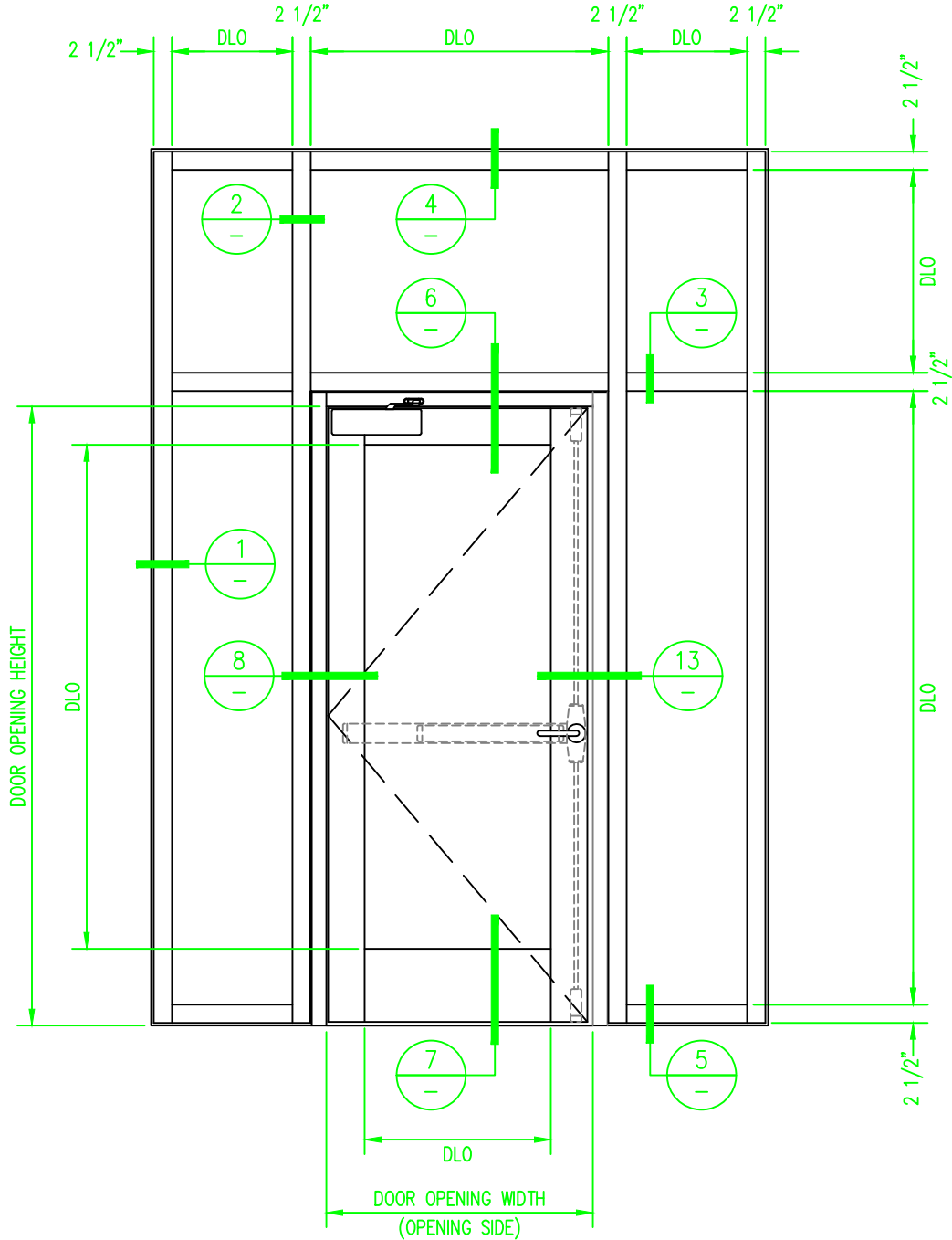


120 MINUTE FIRE RESISTIVE GPX WALL/WINDOW WITH 90 MINUTE FIRE RESISTIVE GPX SINGLE DOOR - EXTERIOR APPLICATION -

For more details, please visit www.safti.com



SAFTIFIRST™
FIRE RATED GLAZING SOLUTIONS
100 N. HILL DR. SUITE 12 TEL: (415) 824-4900
BRISBANE, CA 94005 FAX: (415) 824-5900

SuperLite™ II-XL
GPX ARCHITECTURAL
S E R I E S

DATE:

DRAWN:

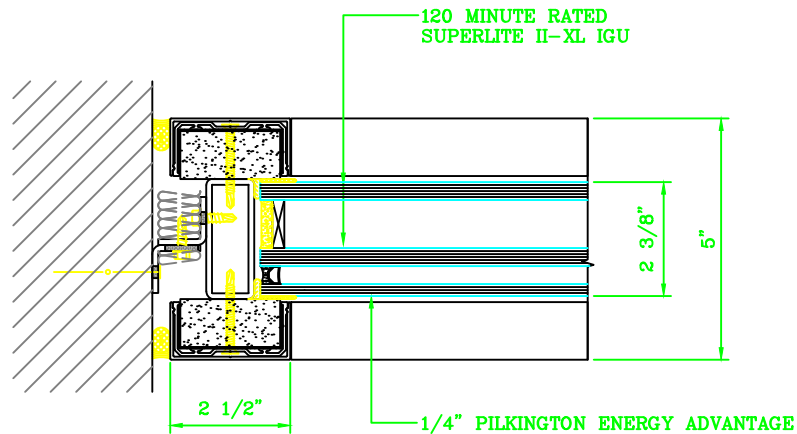
SCALE:

These details are subject to change without notice.

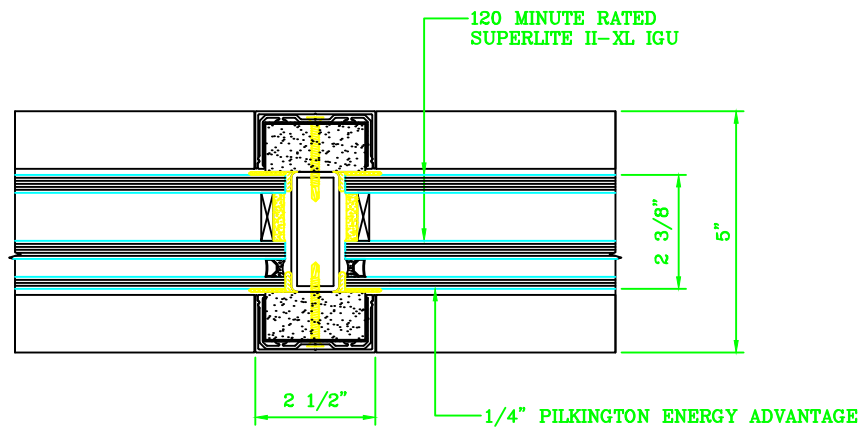
120 MINUTE FIRE RESISTIVE GPX WALL/WINDOW WITH 90 MINUTE FIRE RESISTIVE GPX SINGLE DOOR

– EXTERIOR APPLICATION –

For more details, please visit www.safti.com



1 JAMB DETAIL



2 VERTICAL MULLION DETAIL

SAFTIFIRST™
FIRE RATED GLAZING SOLUTIONS
100 N. HILL DR. SUITE 12 TEL: (415) 824-4900
BRISBANE, CA 94005 FAX: (415) 824-5900

SuperLite™ II-XL
GPX ARCHITECTURAL
SERIES

DATE:

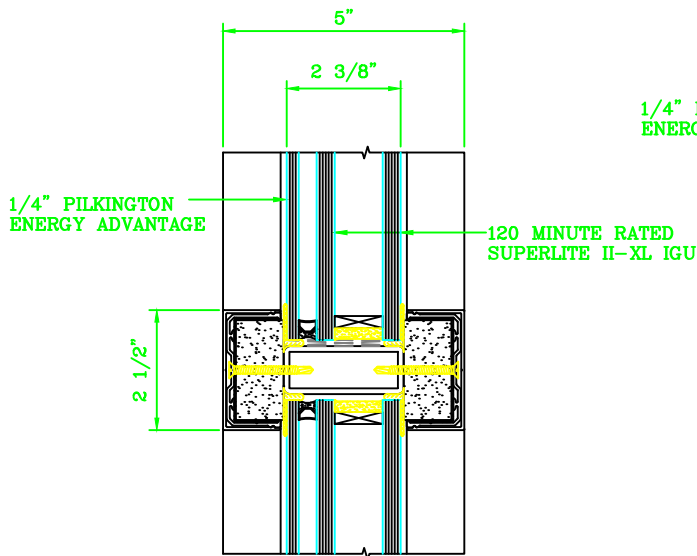
DRAWN:

SCALE:

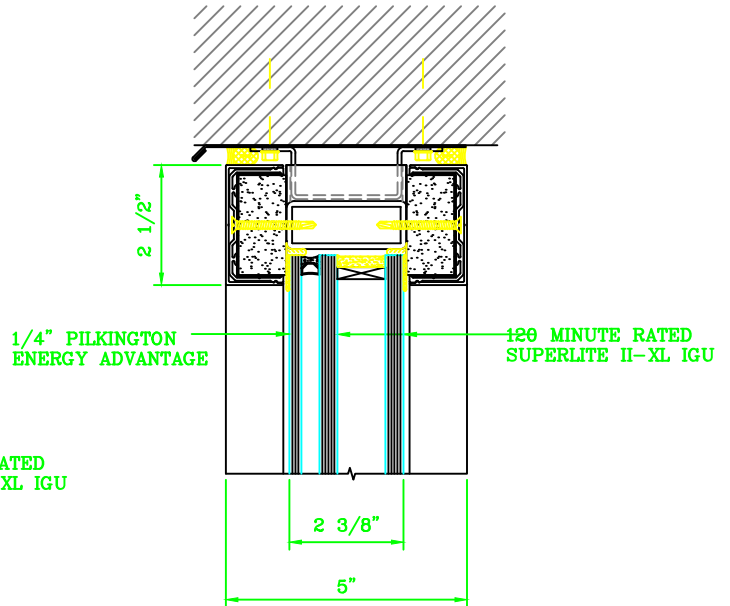
These details are subject to change without notice.

120 MINUTE FIRE RESISTIVE GPX WALL/WINDOW WITH 90 MINUTE FIRE RESISTIVE GPX SINGLE DOOR -EXTERIOR APPLICATION-

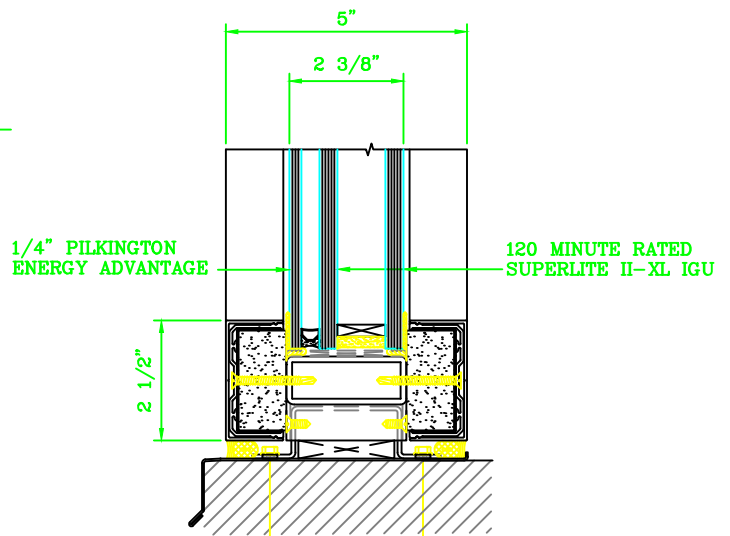
For more details, please visit www.saffti.com



3 HORIZONTAL MULLION DETAIL



4 HEAD DETAIL



5 SILL DETAIL

SAFTIFIRST™
FIRE RATED GLAZING SOLUTIONS
100 N. HILL DR. SUITE 12 TEL: (415) 824-4900
BRISBANE, CA 94005 FAX: (415) 824-5900

SuperLite™ II-XL
GPX ARCHITECTURAL
S E R I E S

DATE:

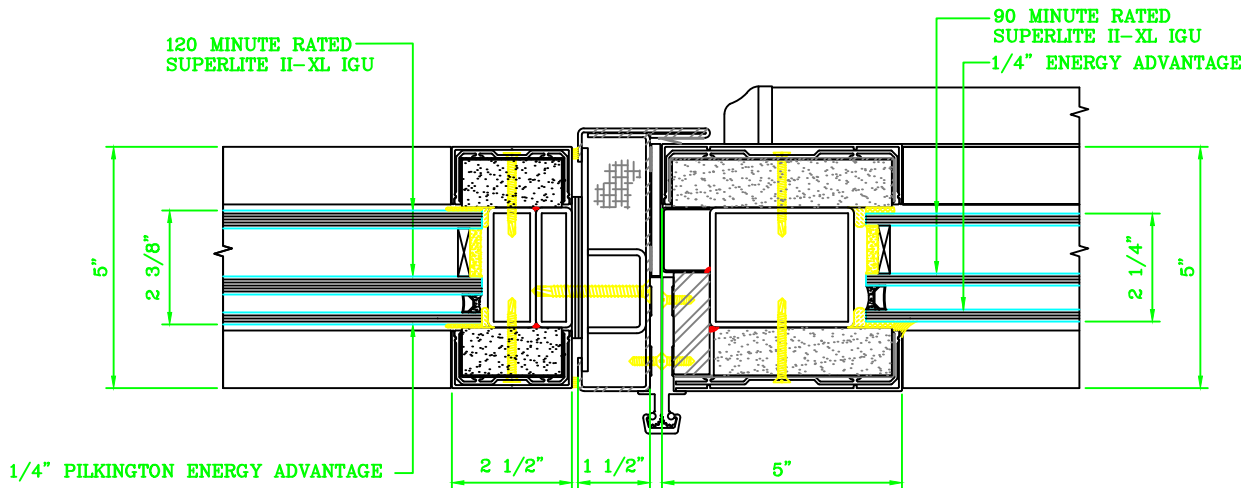
DRAWN:

SCALE:

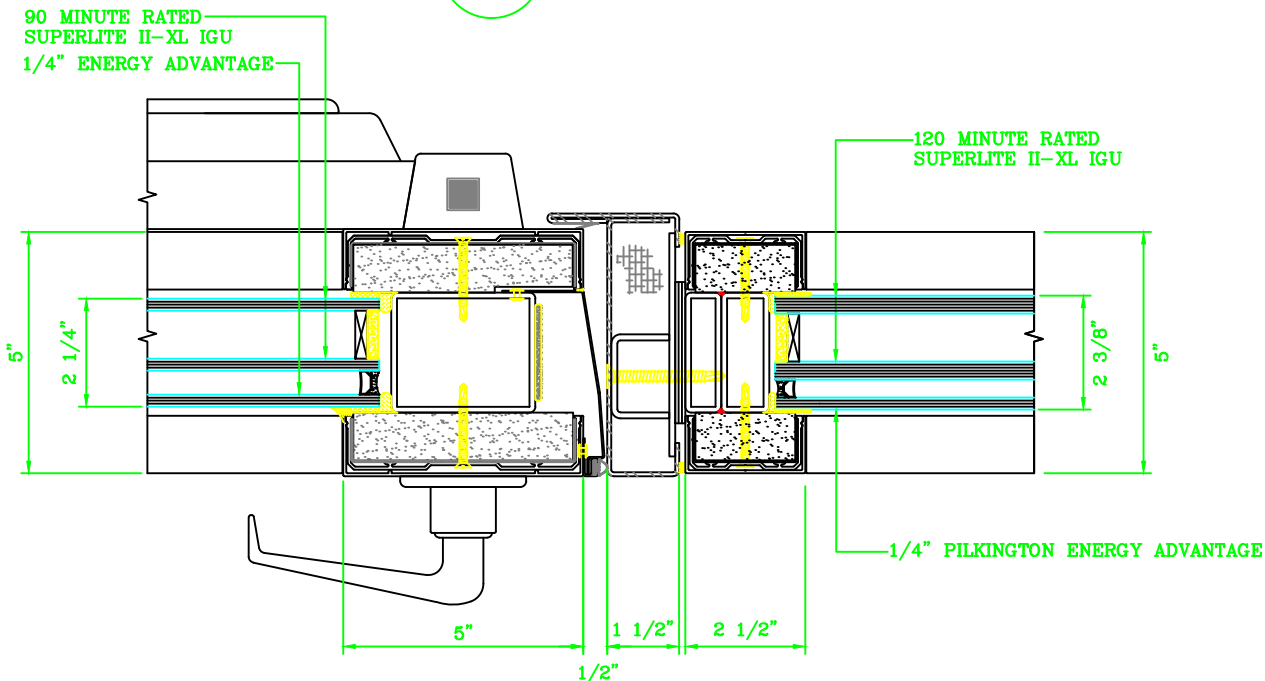
These details are subject to change without notice.

120 MINUTE FIRE RESISTIVE GPX WALL/WINDOW WITH 90 MINUTE FIRE RESISTIVE GPX SINGLE DOOR -EXTERIOR APPLICATION-

For more details, please visit www.safti.com



8 DOOR JAMB at HINGE

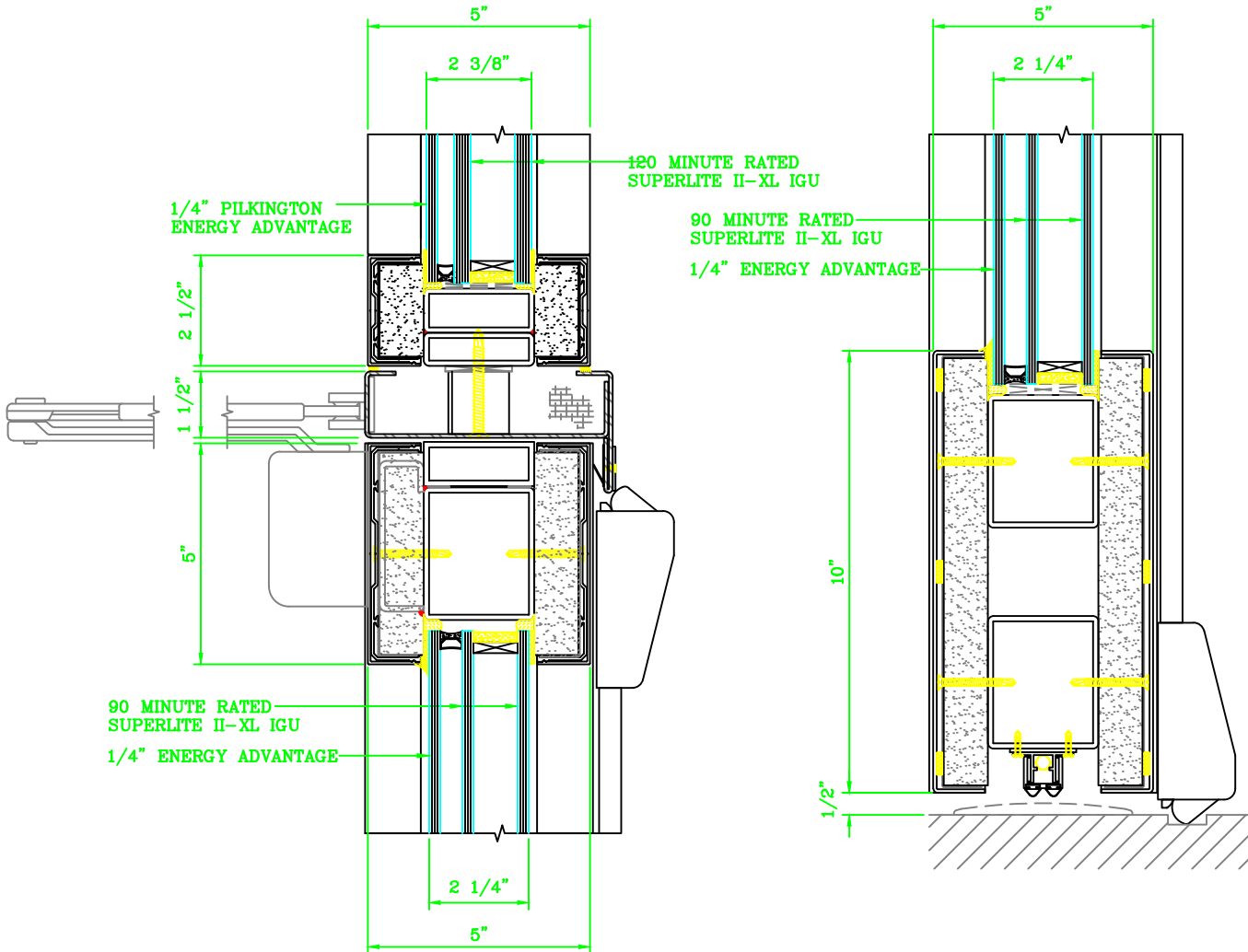


13 DOOR JAMB at LOCK

120 MINUTE FIRE RESISTIVE GPX WALL/WINDOW WITH 90 MINUTE FIRE RESISTIVE GPX SINGLE DOOR

—EXTERIOR APPLICATION—

For more details, please visit www.safti.com



6 DOOR TOP RAIL DETAIL

7 DOOR BOTTOM RAIL DETAIL

SAFTIFIRST™
FIRE RATED GLAZING SOLUTIONS
100 N. HILL DR. SUITE 12 TEL: (415) 824-4900
BRISBANE, CA 94005 FAX: (415) 824-5900

SuperLite™ II-XL
GPX ARCHITECTURAL
SERIES

DATE:

DRAWN:

SCALE:

These details are subject to change without notice.