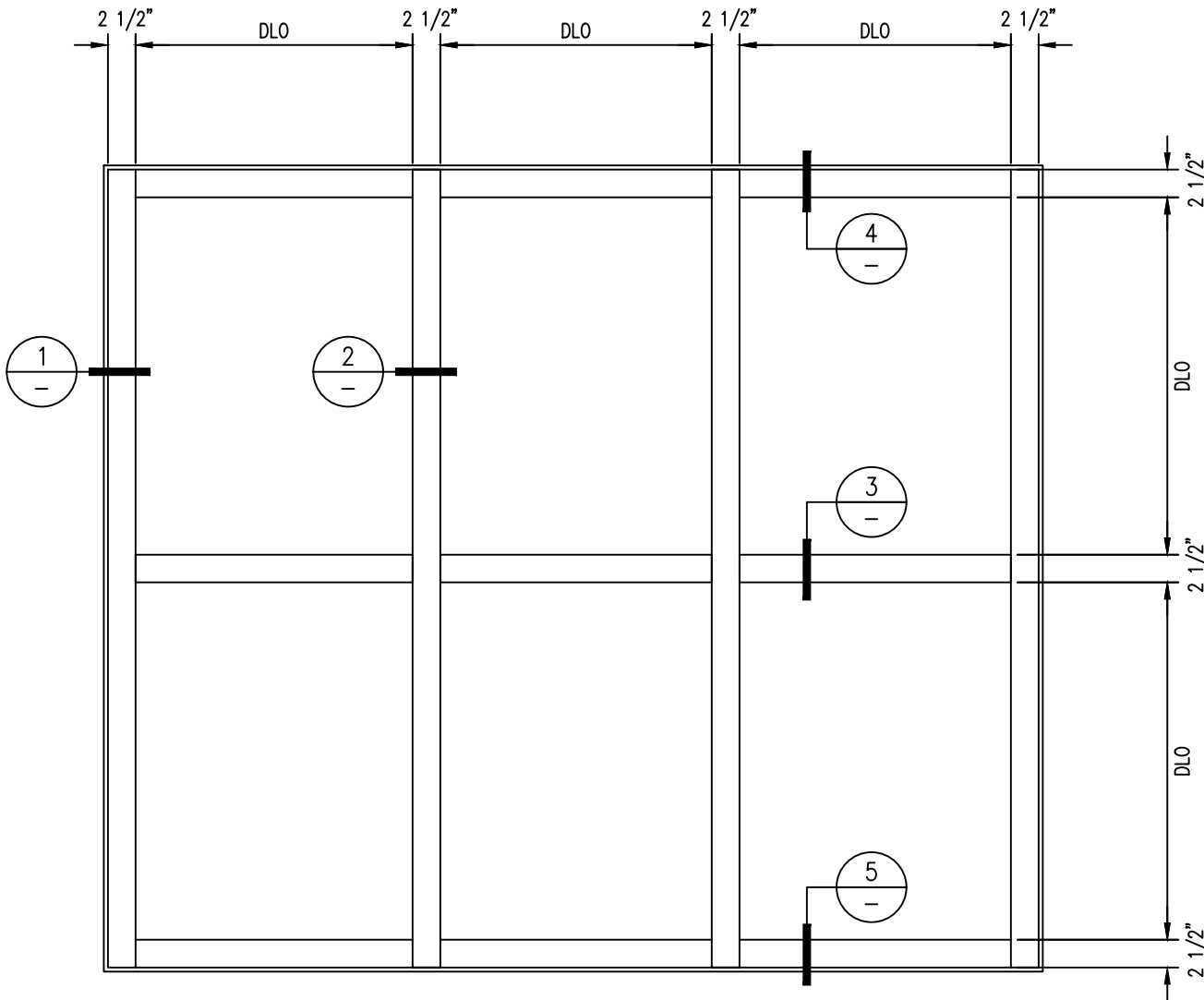


# 120 MINUTE FIRE RESISTIVE GPX WALL/WINDOW

-INTERIOR APPLICATION-

For more details, please visit [www.safti.com](http://www.safti.com)



**SAFTIFIRST**™  
FIRE RATED GLAZING SOLUTIONS  
100 N. HILL DR. SUITE 12  
BRISBANE, CA 94005

Since 1982  
TEL: (415) 824-4900  
FAX: (415) 824-5900

**SuperLite™ II-XL**  
**GPX ARCHITECTURAL**  
**S E R I E S**

DATE:

DRAWN:

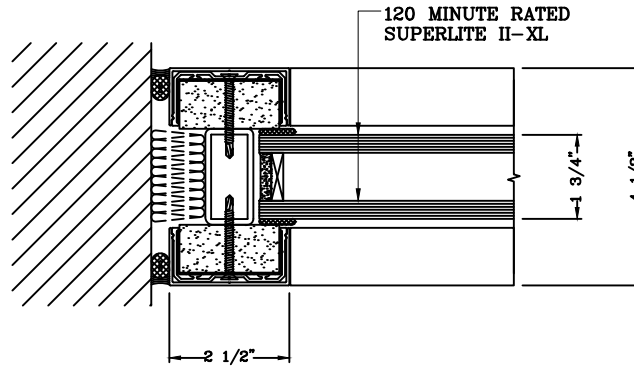
SCALE:

These details are subject to change without notice.

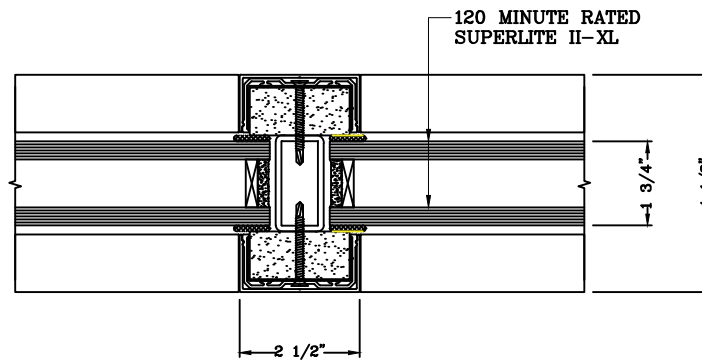
# 120 MINUTE FIRE RESISTIVE GPX WALL/WINDOW

-INTERIOR APPLICATION-

For more details, please visit [www.safti.com](http://www.safti.com)



1 JAMB DETAIL



2 VERTICAL MULLION DETAIL

**SAFTIFIRST**™  
FIRE RATED GLAZING SOLUTIONS Since 1982  
100 N. HILL DR. SUITE 12 TEL: (415) 824-4900  
BRISBANE, CA 94005 FAX: (415) 824-5900

**SuperLite™ II-XL**  
**GPX ARCHITECTURAL**  
**SERIES**

DATE:

DRAWN:

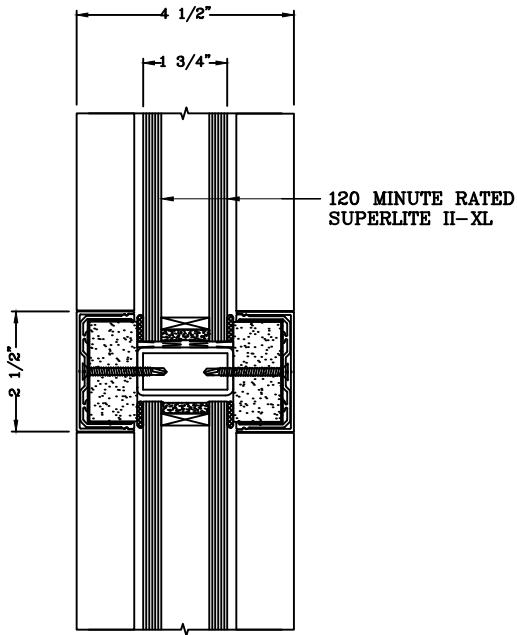
SCALE:

These details are subject to change without notice.

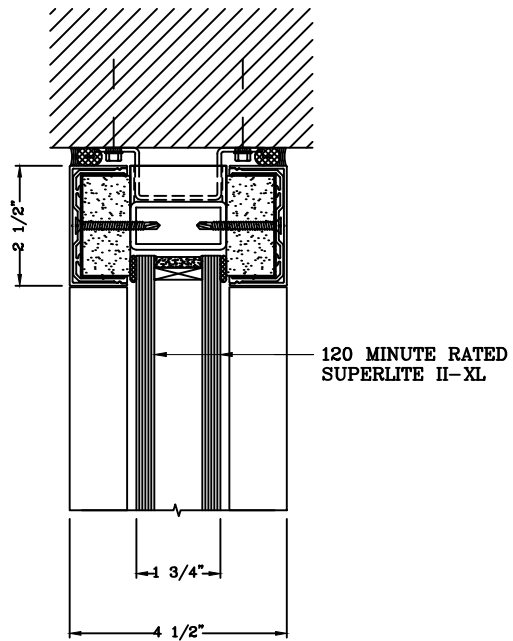
# 120 MINUTE FIRE RESISTIVE GPX WALL/WINDOW

—INTERIOR APPLICATION—

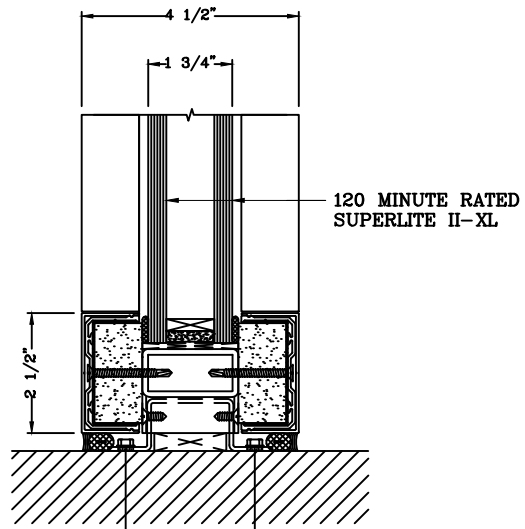
For more details, please visit [www.safti.com](http://www.safti.com)



3 HORIZONTAL MULLION DETAIL



4 HEAD DETAIL



5 SILL DETAIL

**SAFTIFIRST™**  
 FIRE RATED GLAZING SOLUTIONS *Since 1982*  
 100 N. HILL DR. SUITE 12 TEL: (415) 824-4900  
 BRISBANE, CA 94005 FAX: (415) 824-5900

**SuperLite™ II-XL**  
**GPX ARCHITECTURAL**  
**SERIES**

DATE:

DRAWN:

SCALE:

These details are subject to change without notice.