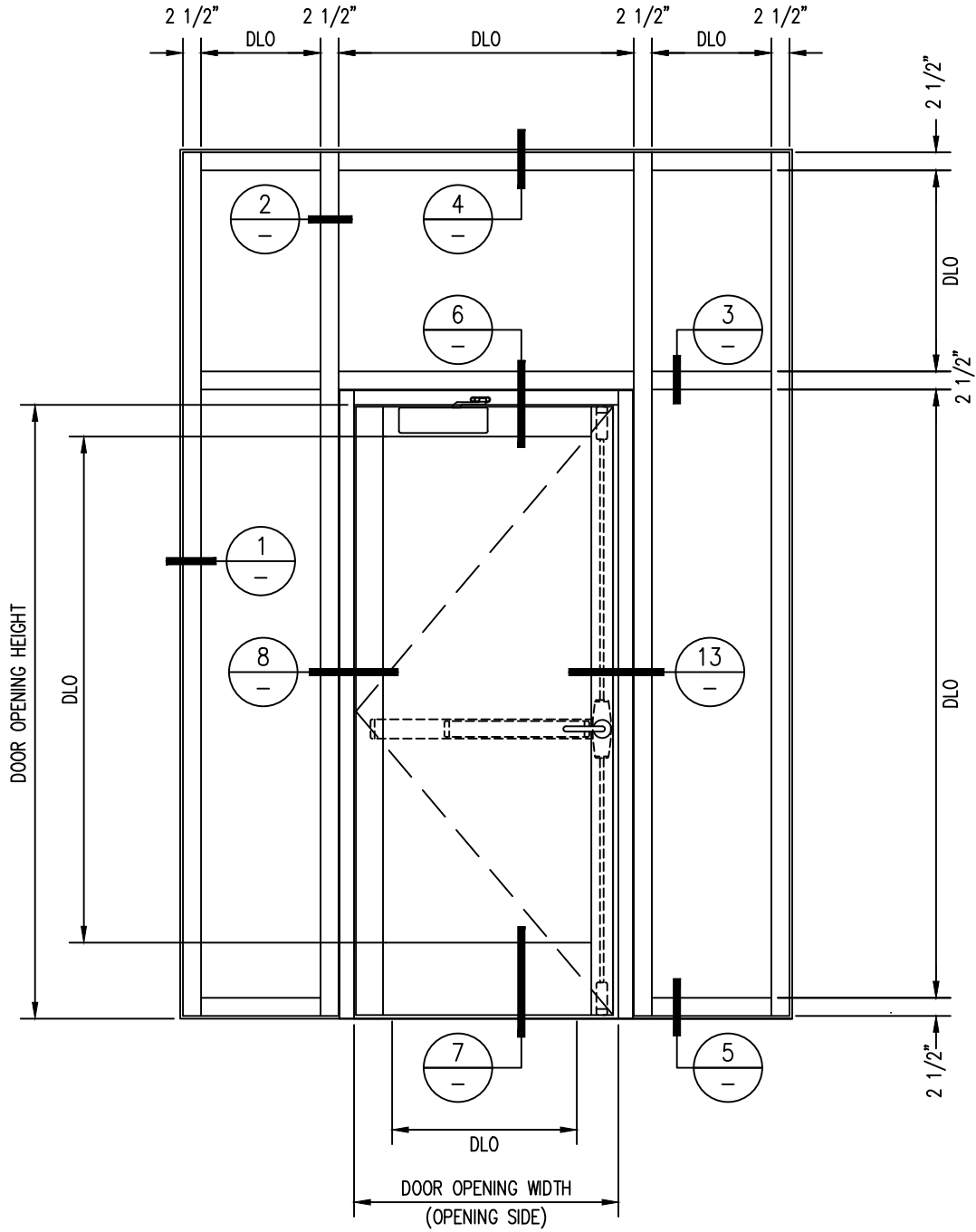


# 120 MINUTE FIRE RESISTIVE GPX WALL/WINDOW WITH 90 MINUTE FIRE RESISTIVE GPX SINGLE DOOR —INTERIOR APPLICATION—

For more details, please visit [www.safti.com](http://www.safti.com)



**SAFTIFIRST™**  
 FIRE RATED GLAZING SOLUTIONS *Since 1982*  
 100 N. HILL DR. SUITE 12 TEL: (415) 824-4900  
 BRISBANE, CA 94005 FAX: (415) 824-5900

**SuperLite™ II-XL**  
**GPX ARCHITECTURAL**  
**SERIES**

DATE:

DRAWN:

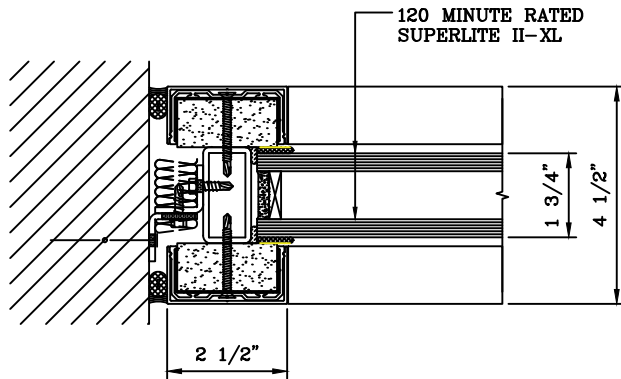
SCALE:

These details are subject to change without notice.

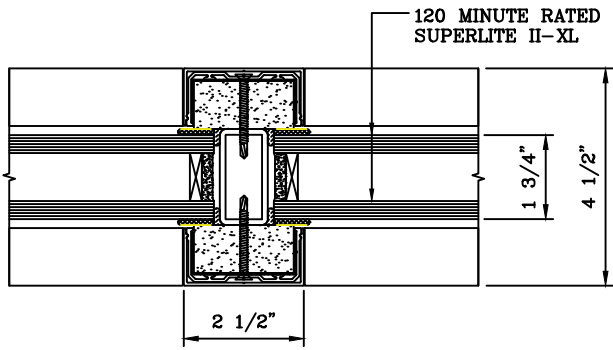
# 120 MINUTE FIRE RESISTIVE GPX WALL/WINDOW WITH 90 MINUTE FIRE RESISTIVE GPX SINGLE DOOR

-INTERIOR APPLICATION-

For more details, please visit [www.safti.com](http://www.safti.com)



1 JAMB DETAIL



2 VERTICAL MULLION DETAIL

**SAFTIFIRST**<sup>™</sup>  
 FIRE RATED GLAZING SOLUTIONS *Since 1982*  
 100 N. HILL DR. SUITE 12 TEL: (415) 824-4900  
 BRISBANE, CA 94005 FAX: (415) 824-5900

**SuperLite™ II-XL**  
**GPX ARCHITECTURAL**  
**SERIES**

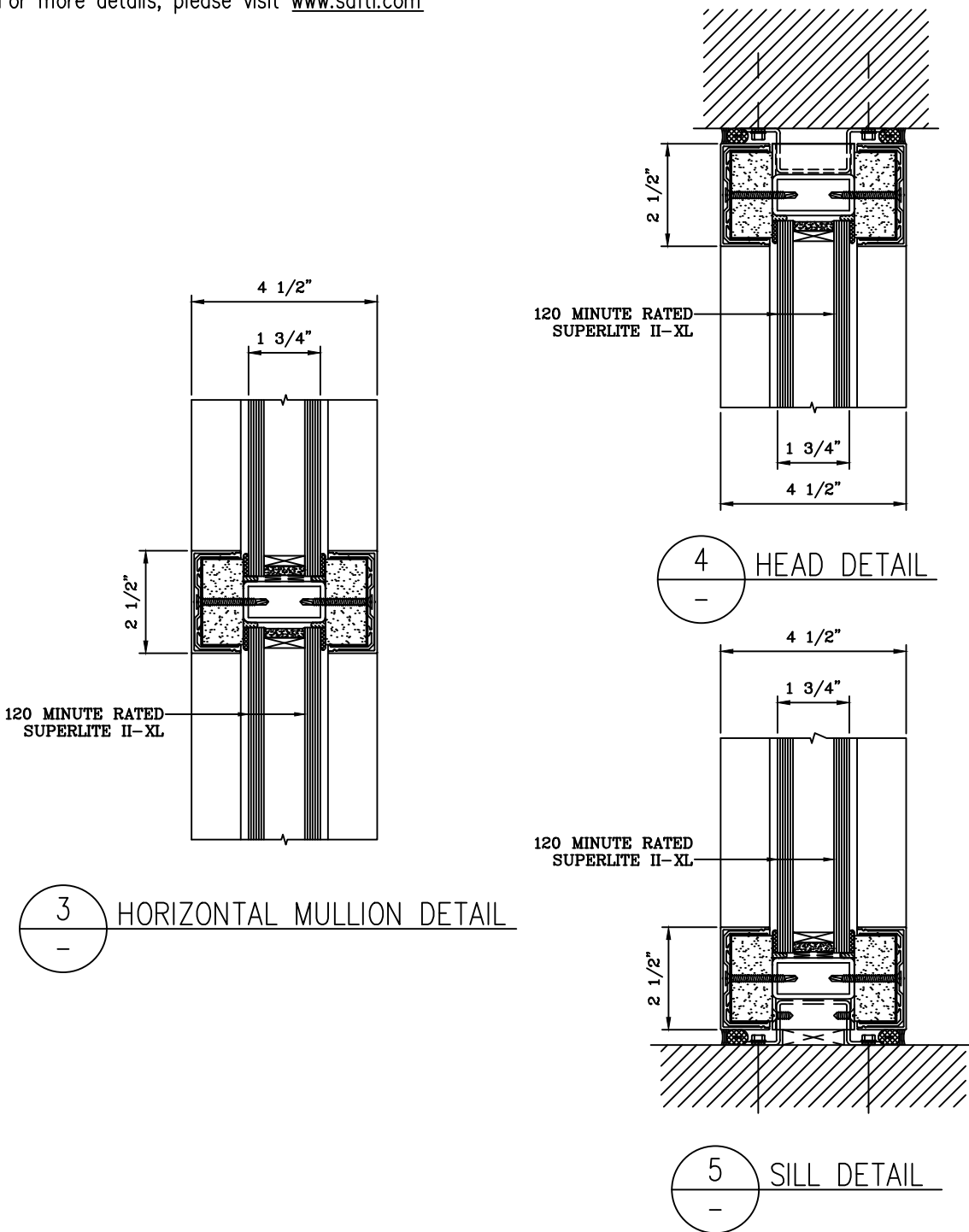
DATE:	
DRAWN:	SCALE:

These details are subject to change without notice.

# 120 MINUTE FIRE RESISTIVE GPX WALL/WINDOW WITH 90 MINUTE FIRE RESISTIVE GPX SINGLE DOOR

-INTERIOR APPLICATION-

For more details, please visit [www.safti.com](http://www.safti.com)



**SAFTIFIRST™**  
 FIRE RATED GLAZING SOLUTIONS *Since 1982*  
 100 N. HILL DR. SUITE 12 TEL: (415) 824-4900  
 BRISBANE, CA 94005 FAX: (415) 824-5900

**SuperLite™ II-XL**  
**GPX ARCHITECTURAL**  
**SERIES**

DATE:

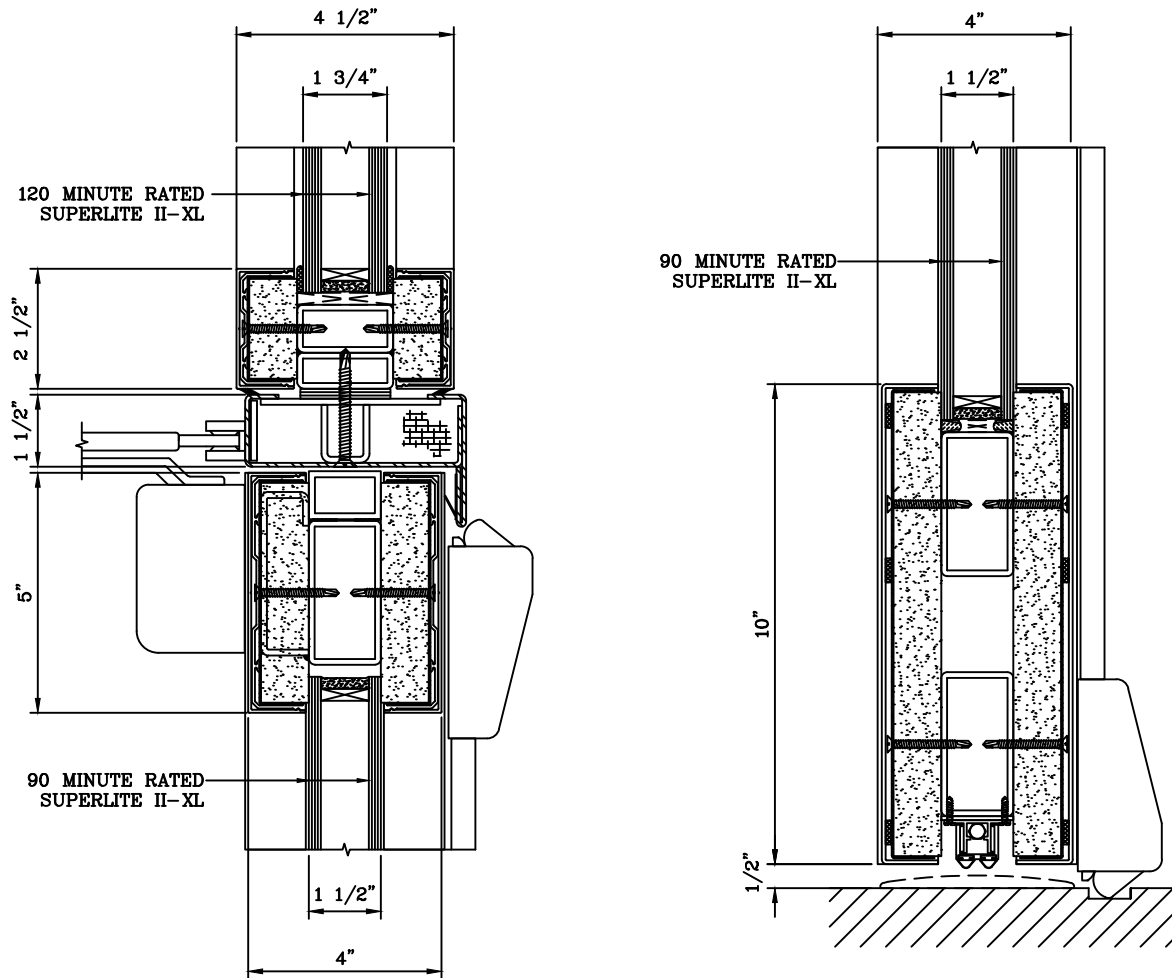
DRAWN:

SCALE:

These details are subject to change without notice.

# 120 MINUTE FIRE RESISTIVE GPX WALL/WINDOW WITH 90 MINUTE FIRE RESISTIVE GPX SINGLE DOOR -INTERIOR APPLICATION-

For more details, please visit [www.safti.com](http://www.safti.com)



6 DOOR TOP RAIL DETAIL

7 DOOR BOTTOM RAIL DETAIL

**SAFTIFIRST™**  
FIRE RATED GLAZING SOLUTIONS *Since 1982*  
100 N. HILL DR. SUITE 12 TEL: (415) 824-4900  
BRISBANE, CA 94005 FAX: (415) 824-5900

**SuperLite™ II-XL**  
**GPX ARCHITECTURAL**  
**SERIES**

DATE:

DRAWN:

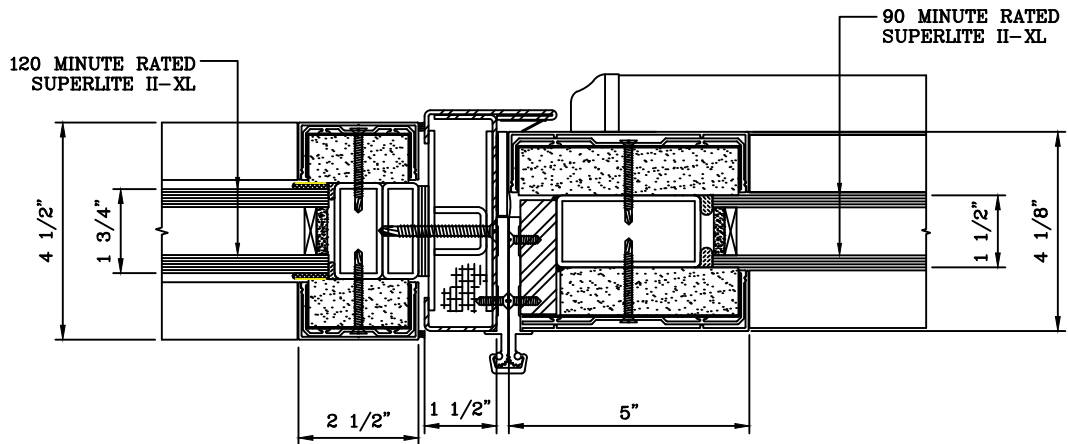
SCALE:

These details are subject to change without notice.

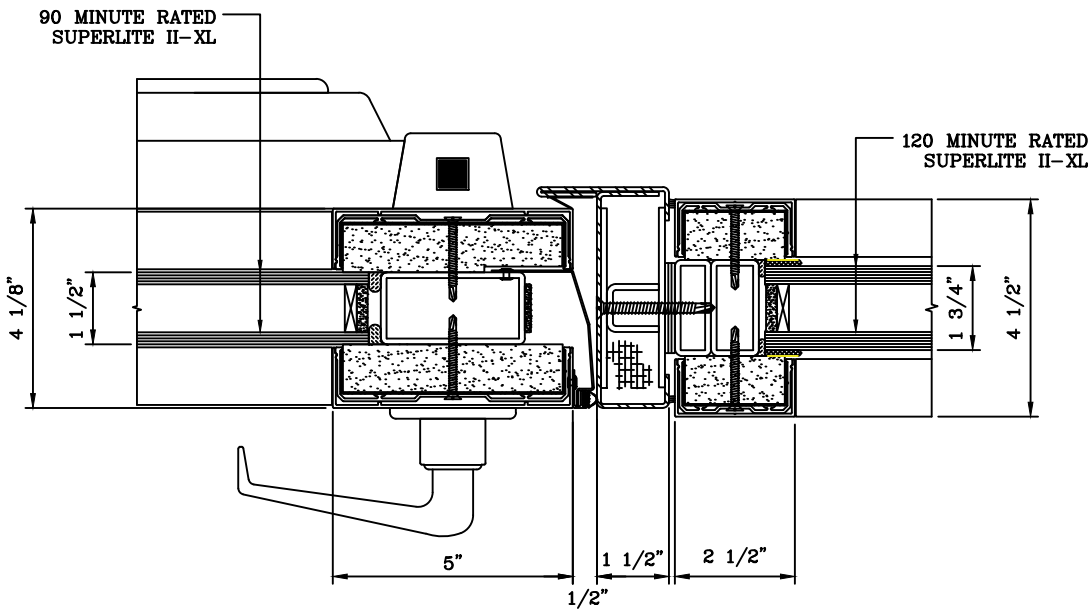
# 120 MINUTE FIRE RESISTIVE GPX WALL/WINDOW WITH 90 MINUTE FIRE RESISTIVE GPX SINGLE DOOR

-INTERIOR APPLICATION-

For more details, please visit [www.safti.com](http://www.safti.com)



8 DOOR JAMB at HINGE



13 DOOR JAMB at LOCK

**SAFTIFIRST™**  
 FIRE RATED GLAZING SOLUTIONS *Since 1982*  
 100 N. HILL DR. SUITE 12 TEL: (415) 824-4900  
 BRISBANE, CA 94005 FAX: (415) 824-5900

**SuperLite™ II-XL**  
**GPX ARCHITECTURAL**  
**S E R I E S**

DATE:

DRAWN:

SCALE:

These details are subject to change without notice.