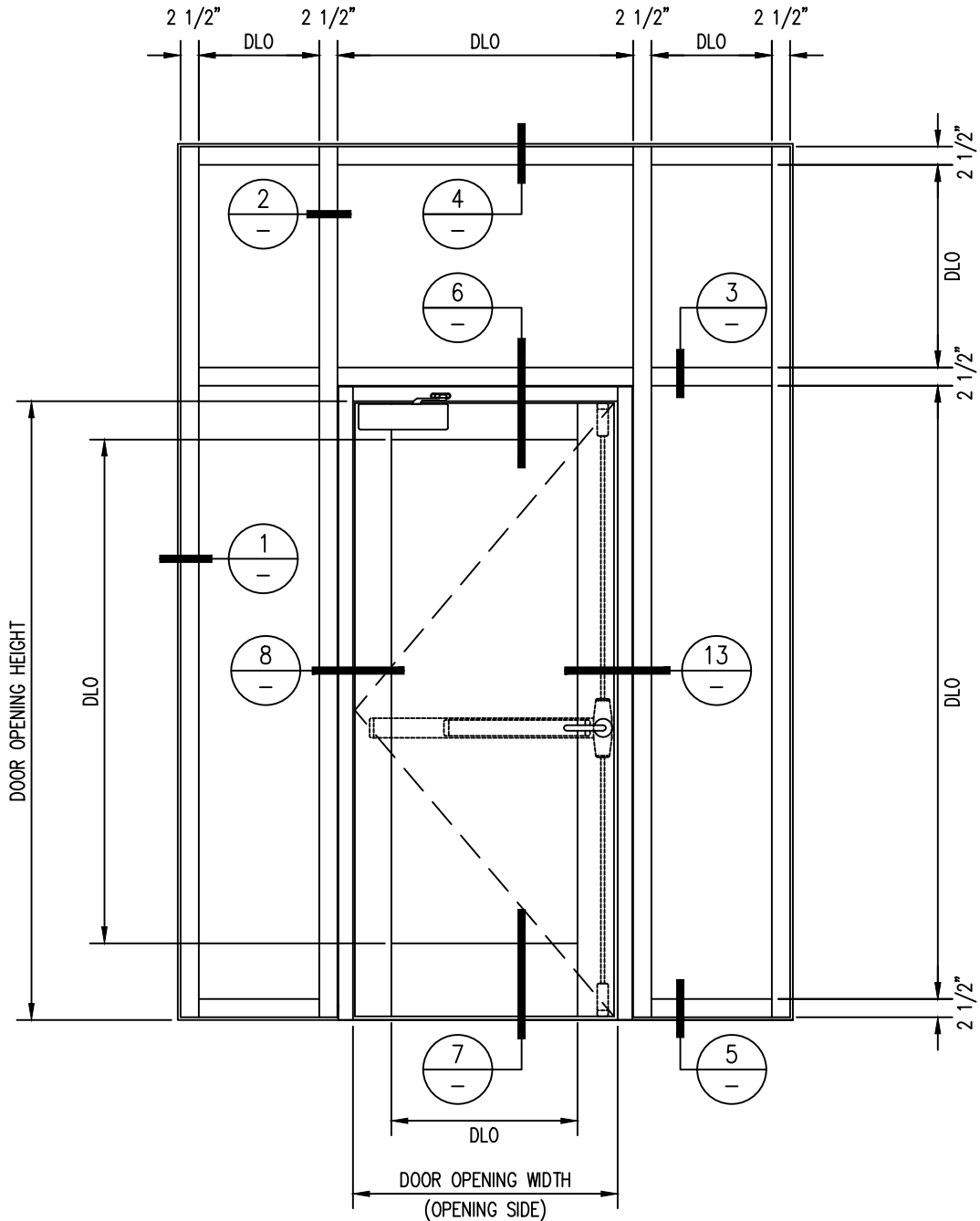


60 MINUTE FIRE RESISTIVE GPX WALL/WINDOW WITH 60 MINUTE FIRE RESISTIVE GPX SINGLE DOOR

- EXTERIOR APPLICATION -

For more details, please visit www.safti.com



SAFTIFIRST™
 FIRE RATED GLAZING SOLUTIONS *Since 1982*
 100 N. HILL DR. SUITE 12 TEL: (415) 824-4900
 BRISBANE, CA 94005 FAX: (415) 824-5900

SuperLite™ II-XL
GPX ARCHITECTURAL
SERIES

DATE:

DRAWN:

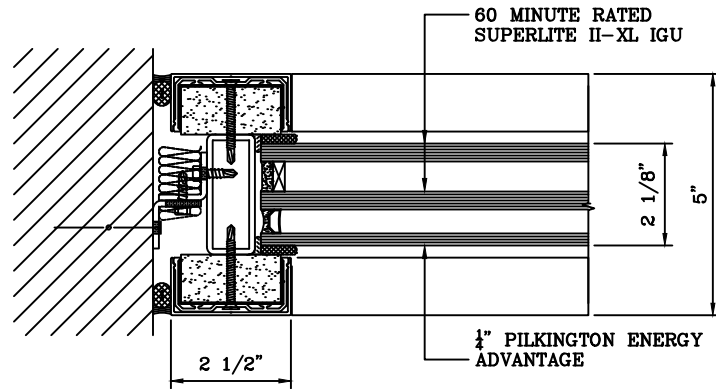
SCALE:

These details are subject to change without notice.

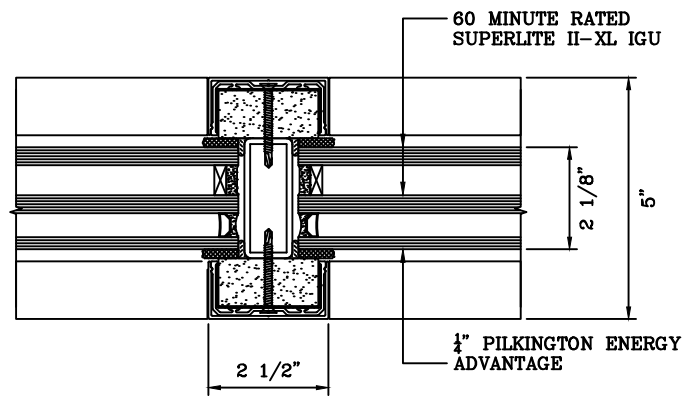
60 MINUTE FIRE RESISTIVE GPX WALL/WINDOW WITH 60 MINUTE FIRE RESISTIVE GPX SINGLE DOOR

-EXTERIOR APPLICATION-

For more details, please visit www.safti.com



1
- JAMB DETAIL



2
- VERTICAL MULLION DETAIL

SAFTIFIRST™
FIRE RATED GLAZING SOLUTIONS *Since 1982*
100 N. HILL DR. SUITE 12 TEL: (415) 824-4900
BRISBANE, CA 94005 FAX: (415) 824-5900

SuperLite™ II-XL
GPX ARCHITECTURAL
SERIES

DATE:

DRAWN:

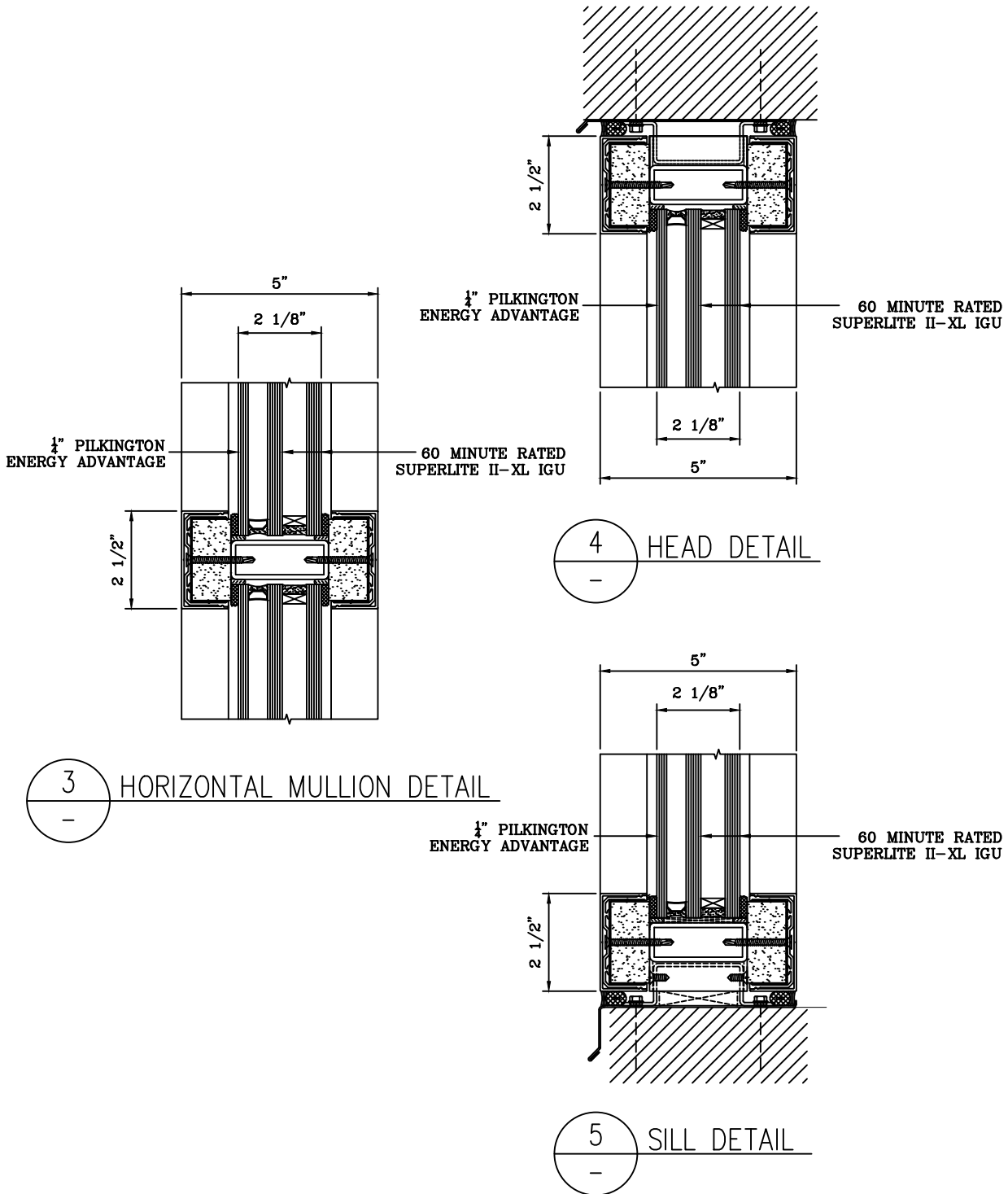
SCALE:

These details are subject to change without notice.

60 MINUTE FIRE RESISTIVE GPX WALL/WINDOW WITH 60 MINUTE FIRE RESISTIVE GPX SINGLE DOOR

- EXTERIOR APPLICATION -

For more details, please visit www.safti.com



SAFTIFIRST™
 FIRE RATED GLAZING SOLUTIONS *Since 1982*
 100 N. HILL DR. SUITE 12 TEL: (415) 824-4900
 BRISBANE, CA 94005 FAX: (415) 824-5900

SuperLite™ II-XL
GPX ARCHITECTURAL
SERIES

DATE:

DRAWN:

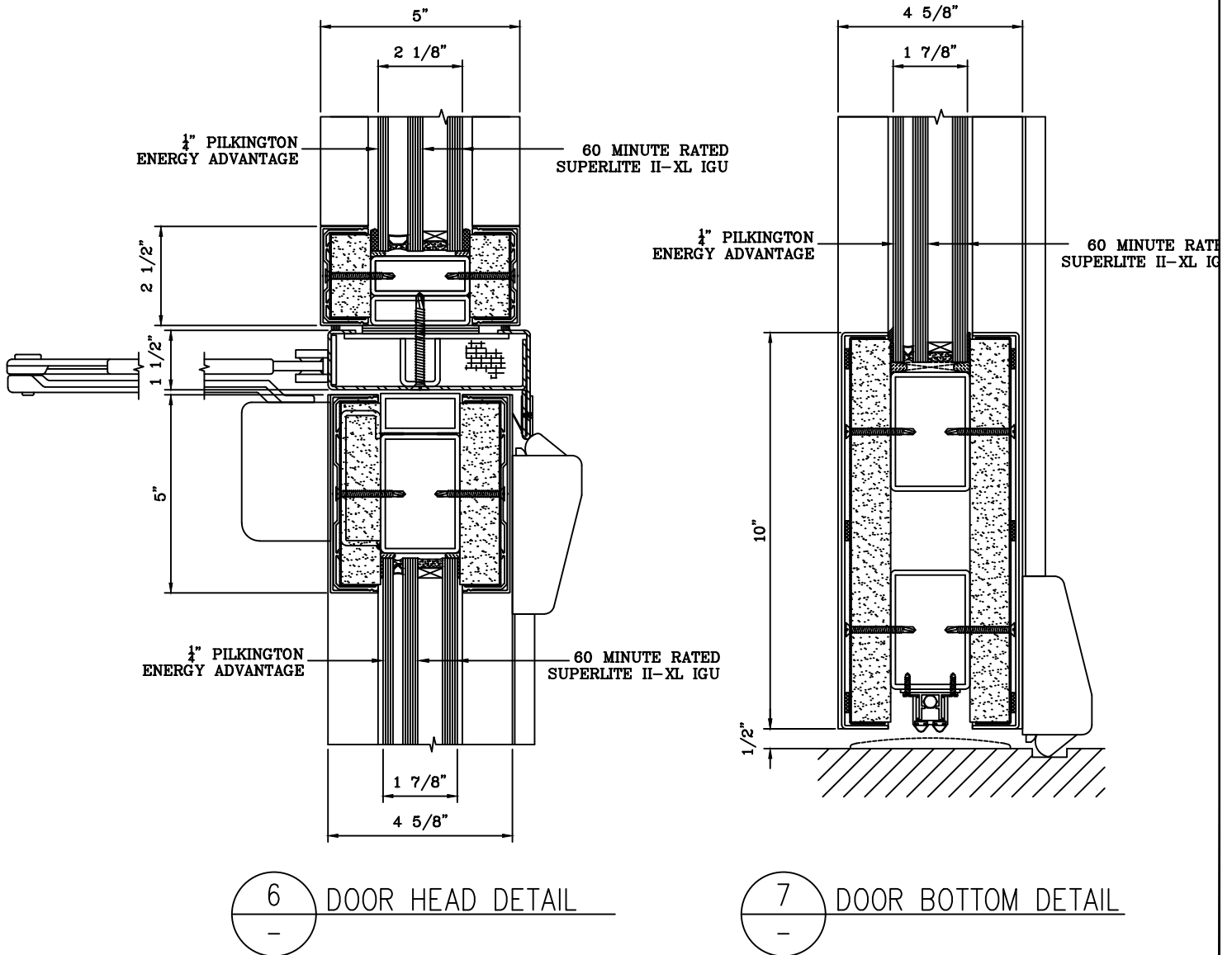
SCALE:

These details are subject to change without notice.

60 MINUTE FIRE RESISTIVE GPX WALL/WINDOW WITH 60 MINUTE FIRE RESISTIVE GPX SINGLE DOOR

-EXTERIOR APPLICATION-

For more details, please visit www.safti.com



6 DOOR HEAD DETAIL

7 DOOR BOTTOM DETAIL

SAFTIFIRST™
 FIRE RATED GLAZING SOLUTIONS *Since 1982*
 100 N. HILL DR. SUITE 12 TEL: (415) 824-4900
 BRISBANE, CA 94005 FAX: (415) 824-5900

SuperLite™ II-XL
GPX ARCHITECTURAL
SERIES

DATE:

DRAWN:

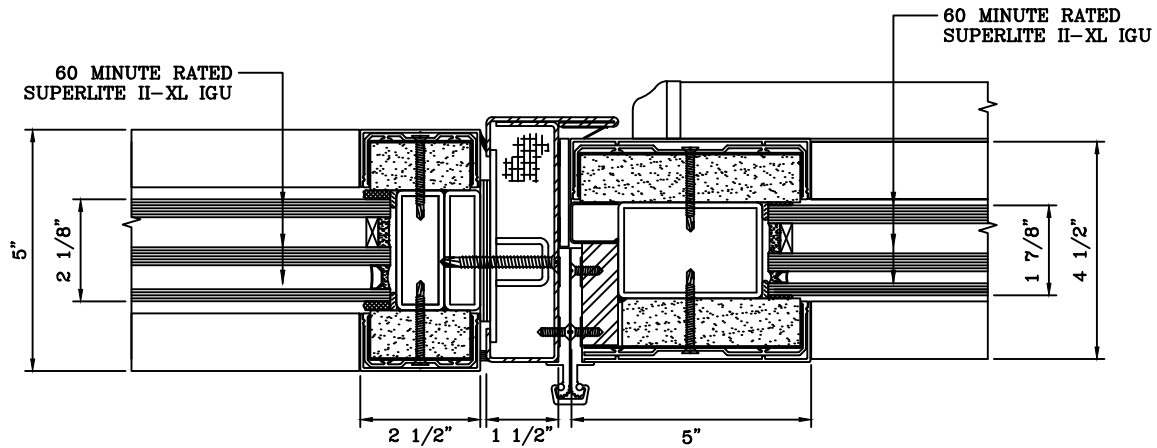
SCALE:

These details are subject to change without notice.

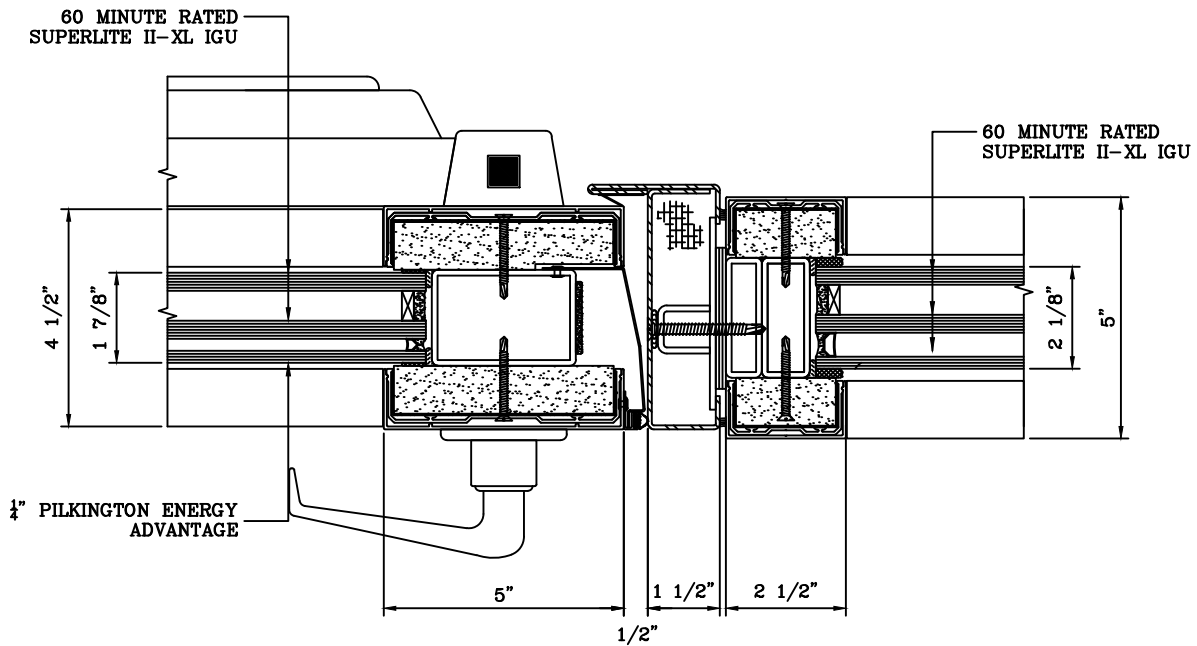
60 MINUTE FIRE RESISTIVE GPX WALL/WINDOW WITH 60 MINUTE FIRE RESISTIVE GPX SINGLE DOOR

- EXTERIOR APPLICATION -

For more details, please visit www.safti.com



8 DOOR JAMB at SIDELITE DETAIL



13 DOOR JAMB AT LOCK

SAFTIFIRST™
 FIRE RATED GLAZING SOLUTIONS *Since 1982*
 100 N. HILL DR. SUITE 12 TEL: (415) 824-4900
 BRISBANE, CA 94005 FAX: (415) 824-5900

SuperLite™ II-XL
GPX ARCHITECTURAL
SERIES

DATE:

DRAWN:

SCALE:

These details are subject to change without notice.