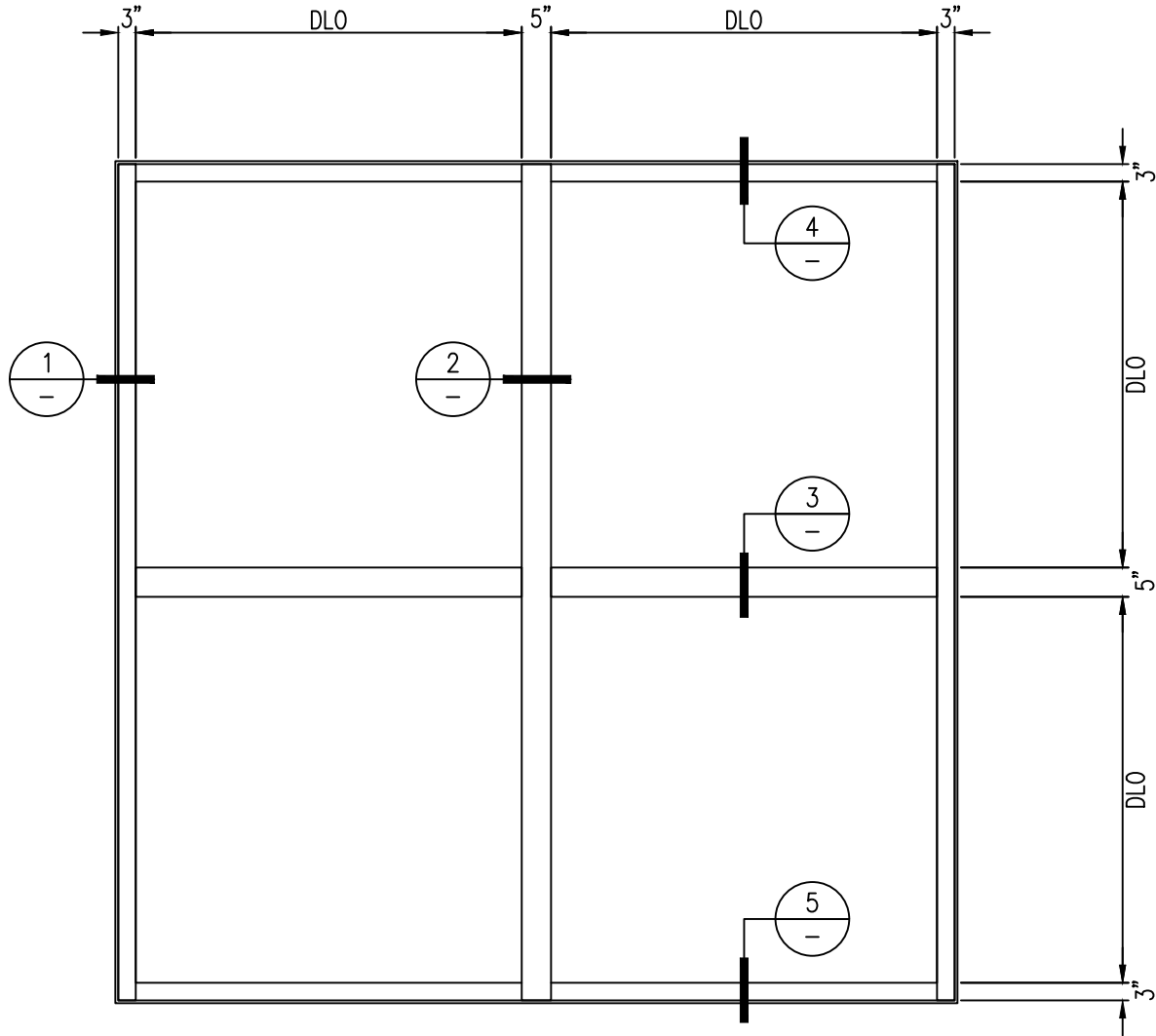


120 MINUTE FIRE RESISTIVE HURRICANE RATED WALL/WINDOW

– WITH FLORIDA PRODUCT APPROVAL –

For more details, please visit www.safti.com



SAFTIFIRST™
FIRE RATED GLAZING SOLUTIONS *Since 1982*
100 N. HILL DR. SUITE 12 TEL: (415) 824-4900
BRISBANE, CA 94005 FAX: (415) 824-5900

SuperLite™ II-XL
GPX HURRICANE SYSTEM
FLORIDA PRODUCT APPROVAL

DATE:

DRAWN:

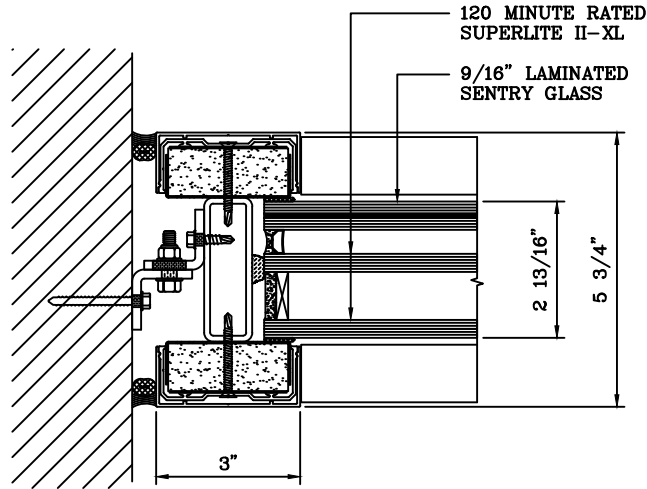
SCALE:

These details are subject to change without notice.

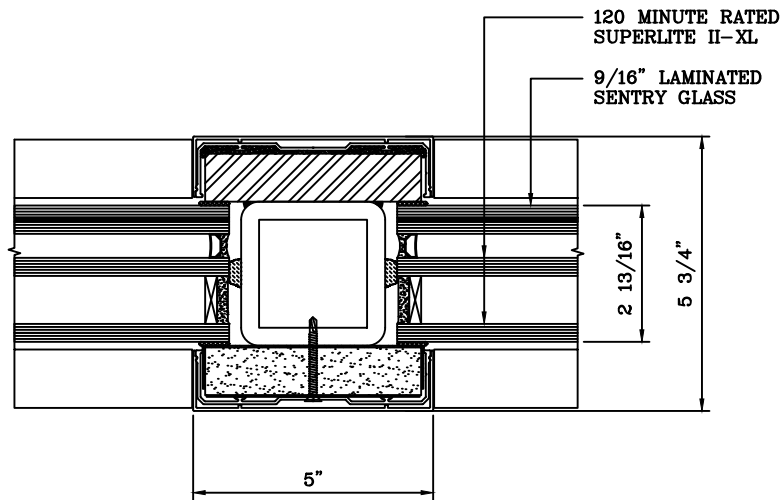
120 MINUTE FIRE RESISTIVE HURRICANE RATED WALL/WINDOW

— WITH FLORIDA PRODUCT APPROVAL —

For more details, please visit www.safti.com



1 JAMB DETAIL



2 VERTICAL MULLION DETAIL

SAFTIFIRST™
 FIRE RATED GLAZING SOLUTIONS Since 1982
 100 N. HILL DR. SUITE 12 TEL: (415) 824-4900
 BRISBANE, CA 94005 FAX: (415) 824-5900

SuperLite™ II-XL
GPX HURRICANE SYSTEM
FLORIDA PRODUCT APPROVAL

DATE:

DRAWN:

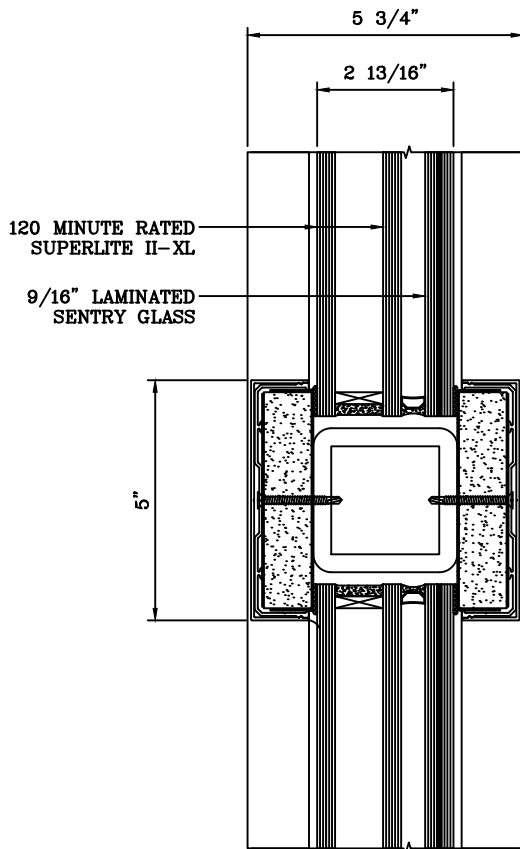
SCALE:

These details are subject to change without notice.

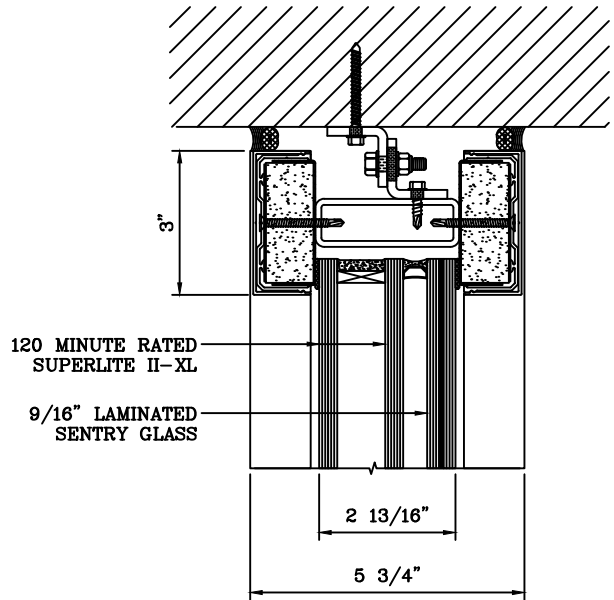
120 MINUTE FIRE RESISTIVE HURRICANE RATED WALL/WINDOW

– WITH FLORIDA PRODUCT APPROVAL –

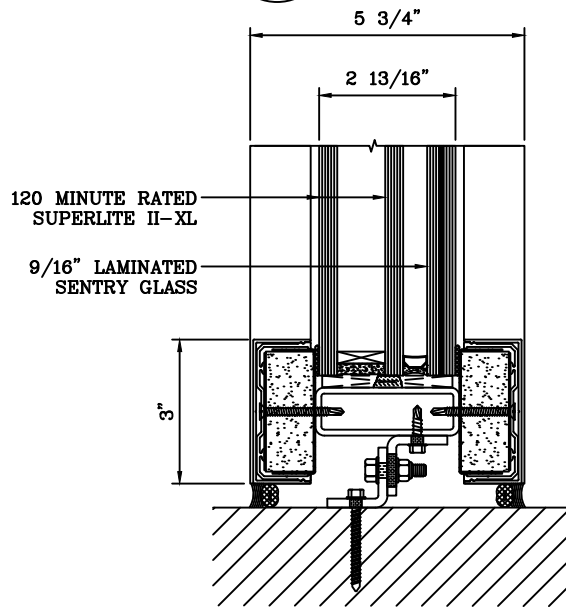
For more details, please visit www.safti.com



3 HORIZONTAL MULLION DETAIL



4 HEAD DETAIL



5 SILL DETAIL

SAFTIFIRST™
 FIRE RATED GLAZING SOLUTIONS Since 1982
 100 N. HILL DR. SUITE 12 TEL: (415) 824-4900
 BRISBANE, CA 94005 FAX: (415) 824-5900

SuperLite™ II-XL
GPX HURRICANE SYSTEM
FLORIDA PRODUCT APPROVAL

DATE:

DRAWN:

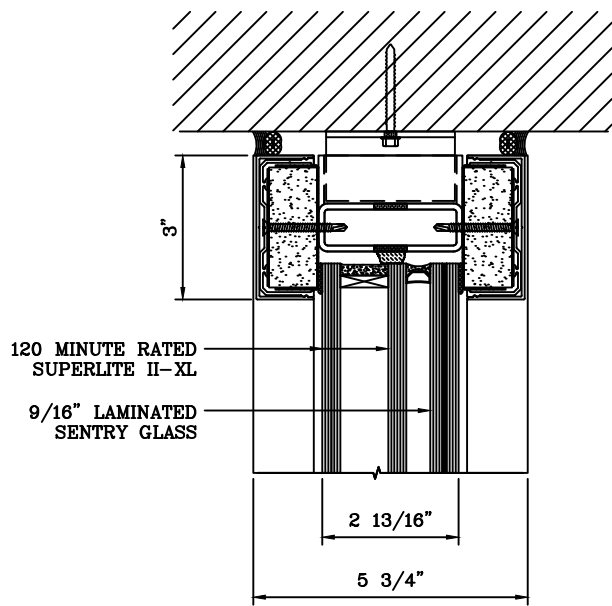
SCALE:

These details are subject to change without notice.

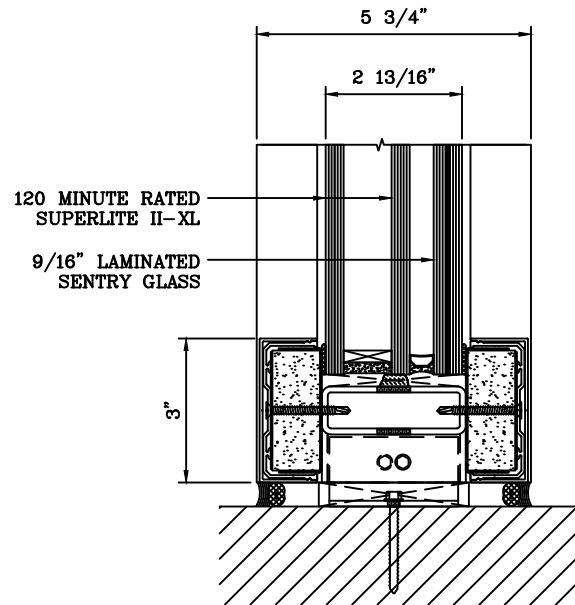
120 MINUTE FIRE RESISTIVE HURRICANE RATED WALL/WINDOW

– WITH FLORIDA PRODUCT APPROVAL –

For more details, please visit www.safti.com



4a HEAD DETAIL



5a SILL DETAIL

SAFTIFIRST™
 FIRE RATED GLAZING SOLUTIONS Since 1982
 100 N. HILL DR. SUITE 12 TEL: (415) 824-4900
 BRISBANE, CA 94005 FAX: (415) 824-5900

SuperLite™ II-XL
GPX HURRICANE SYSTEM
FLORIDA PRODUCT APPROVAL

DATE:

DRAWN:

SCALE:

These details are subject to change without notice.