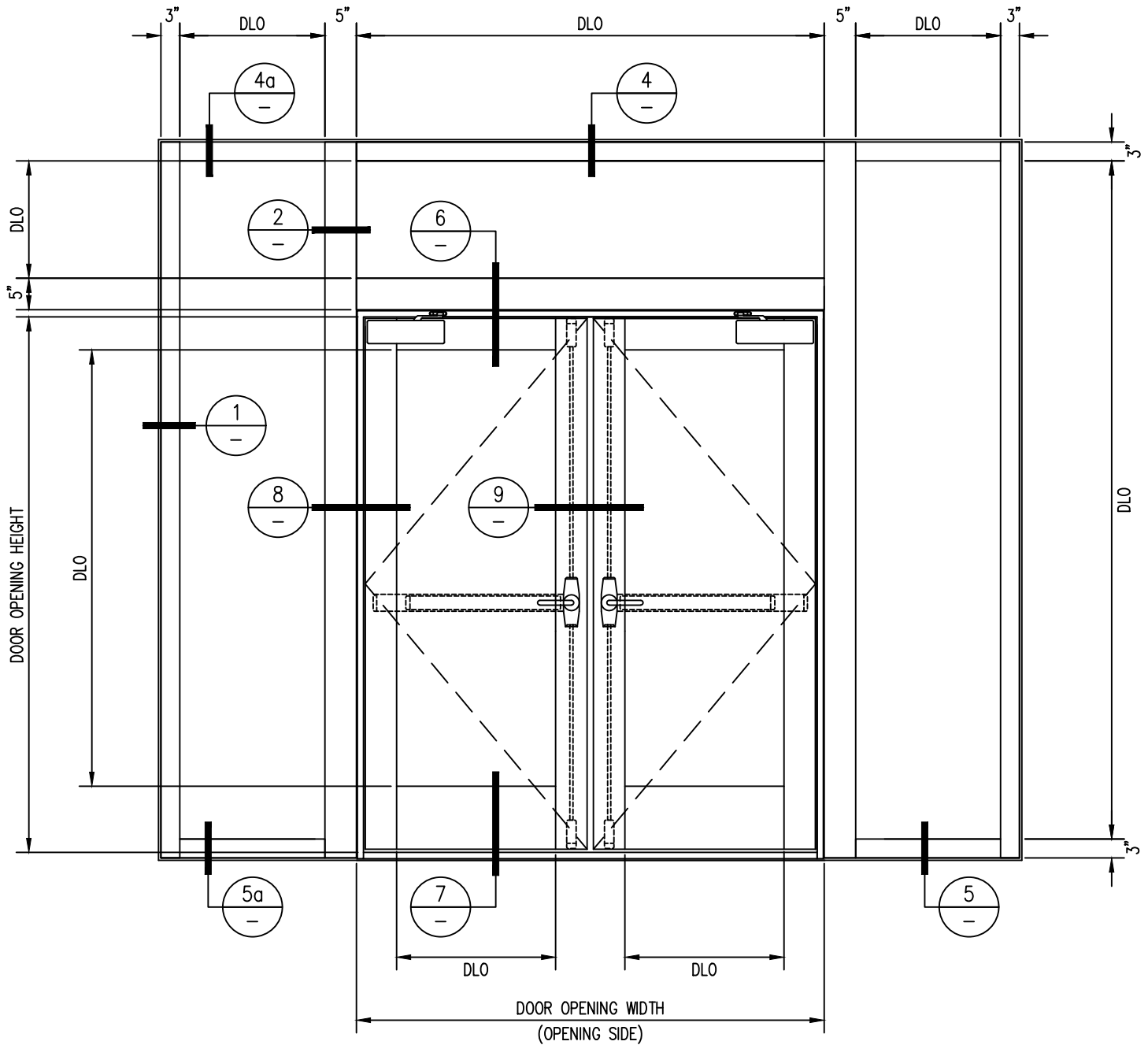


60 MINUTE FIRE RESISTIVE HURRICANE RATED WALL/WINDOW WITH 60 MINUTE FIRE RESISTIVE HURRICANE RATED DOOR PAIR — WITH FLORIDA PRODUCT APPROVAL —

For more details, please visit www.safti.com



SAFTIFIRST™
 FIRE RATED GLAZING SOLUTIONS *Since 1982*
 100 N. HILL DR. SUITE 12 TEL: (415) 824-4900
 BRISBANE, CA 94005 FAX: (415) 824-5900

SuperLite™ II-XL
GPX HURRICANE SYSTEM
FLORIDA PRODUCT APPROVAL

DATE:

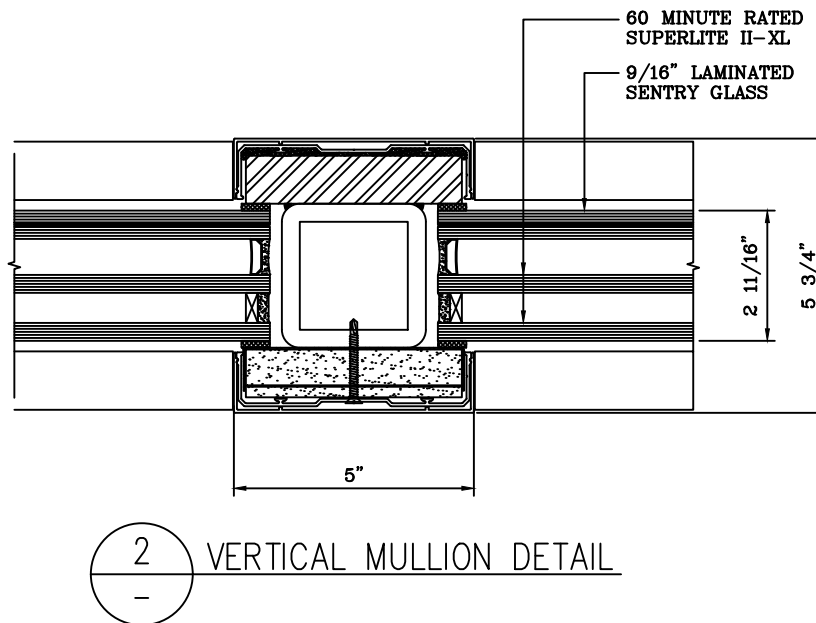
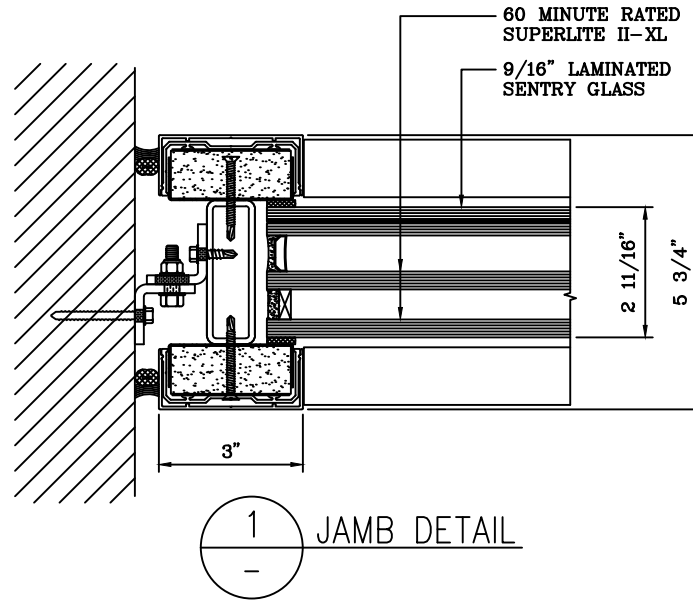
DRAWN:

SCALE:

These details are subject to change without notice.

60 MINUTE FIRE RESISTIVE HURRICANE RATED WALL/WINDOW WITH 60 MINUTE FIRE RESISTIVE HURRICANE RATED DOOR PAIR – WITH FLORIDA PRODUCT APPROVAL –

For more details, please visit www.safti.com



SAFTIFIRST™
 FIRE RATED GLAZING SOLUTIONS *Since 1982*
 100 N. HILL DR. SUITE 12 TEL: (415) 824-4900
 BRISBANE, CA 94005 FAX: (415) 824-5900

SuperLite™ II-XL
GPX HURRICANE SYSTEM
FLORIDA PRODUCT APPROVAL

DATE:

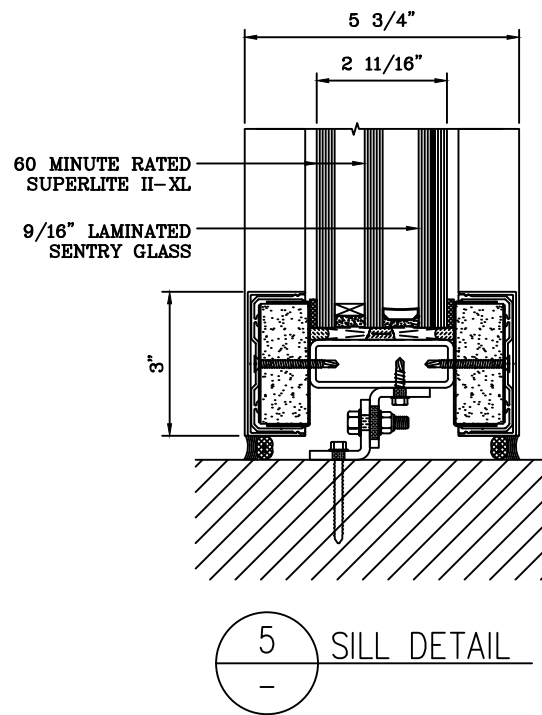
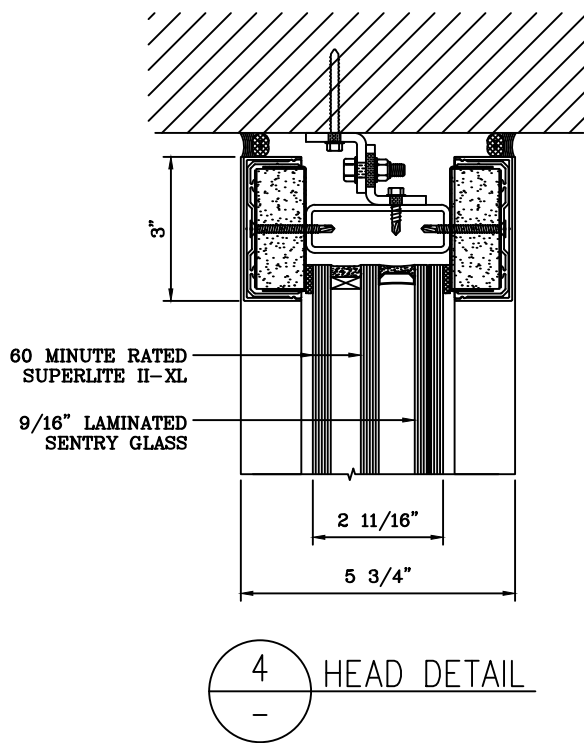
DRAWN:

SCALE:

These details are subject to change without notice.

60 MINUTE FIRE RESISTIVE HURRICANE RATED WALL/WINDOW WITH 60 MINUTE FIRE RESISTIVE HURRICANE RATED DOOR PAIR – WITH FLORIDA PRODUCT APPROVAL –

For more details, please visit www.safti.com



SAFTIFIRST™
 FIRE RATED GLAZING SOLUTIONS *Since 1982*
 100 N. HILL DR. SUITE 12 TEL: (415) 824-4900
 BRISBANE, CA 94005 FAX: (415) 824-5900

SuperLite™ II-XL
GPX HURRICANE SYSTEM
FLORIDA PRODUCT APPROVAL

DATE:

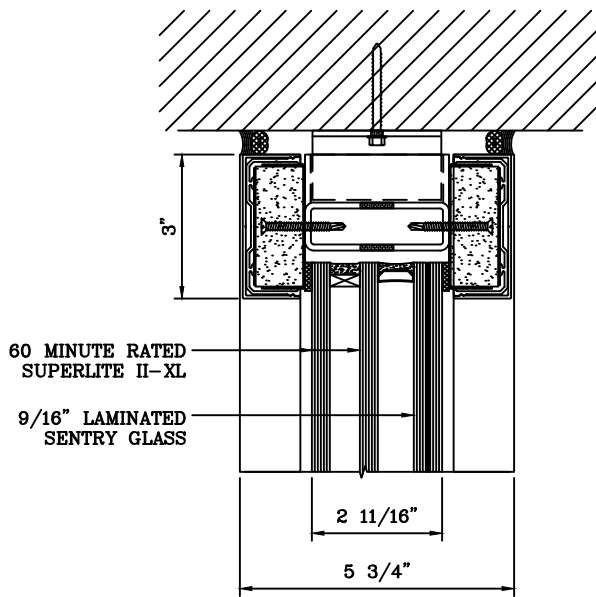
DRAWN:

SCALE:

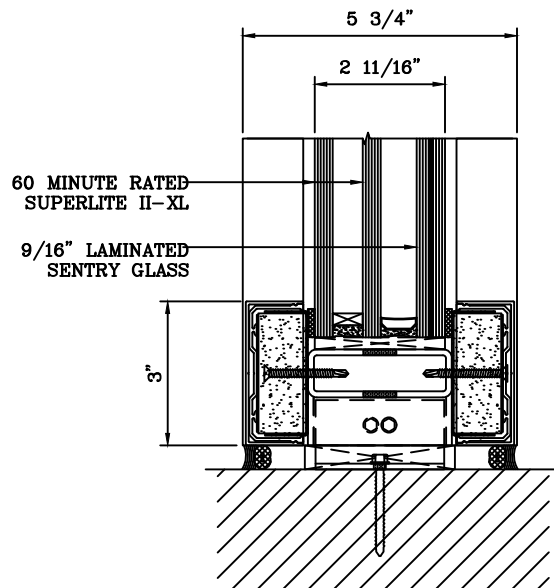
These details are subject to change without notice.

60 MINUTE FIRE RESISTIVE HURRICANE RATED WALL/WINDOW
WITH 60 MINUTE FIRE RESISTIVE HURRICANE RATED DOOR PAIR
 – WITH FLORIDA PRODUCT APPROVAL –

For more details, please visit www.safti.com



4a HEAD DETAIL



5a SILL DETAIL

SAFTIFIRST™
 FIRE RATED GLAZING SOLUTIONS *Since 1982*
 100 N. HILL DR. SUITE 12 TEL: (415) 824-4900
 BRISBANE, CA 94005 FAX: (415) 824-5900

SuperLite™ II-XL
GPX HURRICANE SYSTEM
FLORIDA PRODUCT APPROVAL

DATE:

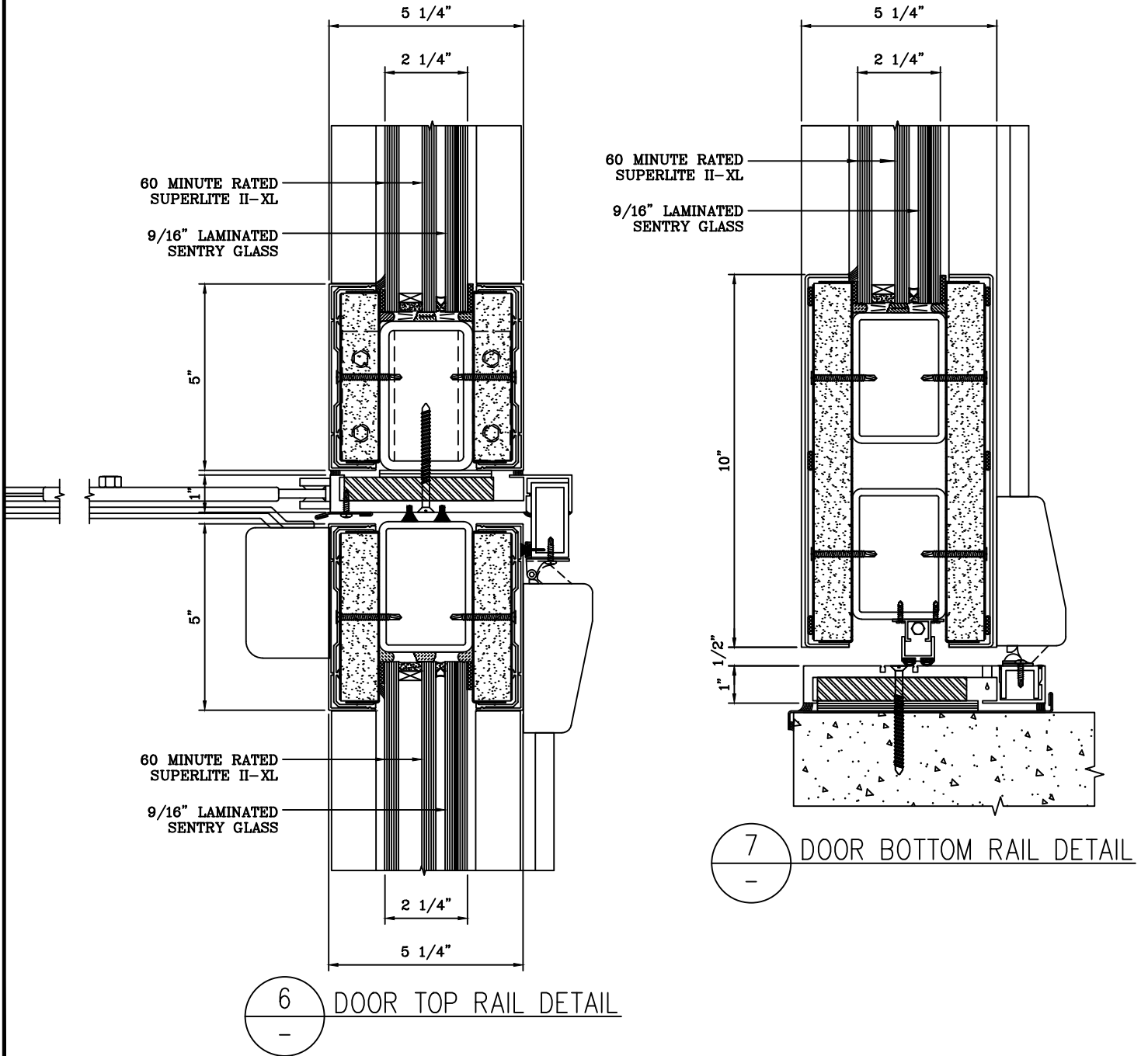
DRAWN:

SCALE:

These details are subject to change without notice.

60 MINUTE FIRE RESISTIVE HURRICANE RATED WALL/WINDOW WITH 60 MINUTE FIRE RESISTIVE HURRICANE RATED DOOR PAIR – WITH FLORIDA PRODUCT APPROVAL –

For more details, please visit www.safti.com



SAFTIFIRST™
 FIRE RATED GLAZING SOLUTIONS *Since 1982*
 100 N. HILL DR. SUITE 12 TEL: (415) 824-4900
 BRISBANE, CA 94005 FAX: (415) 824-5900

SuperLite™ II-XL
GPX HURRICANE SYSTEM
FLORIDA PRODUCT APPROVAL

DATE:

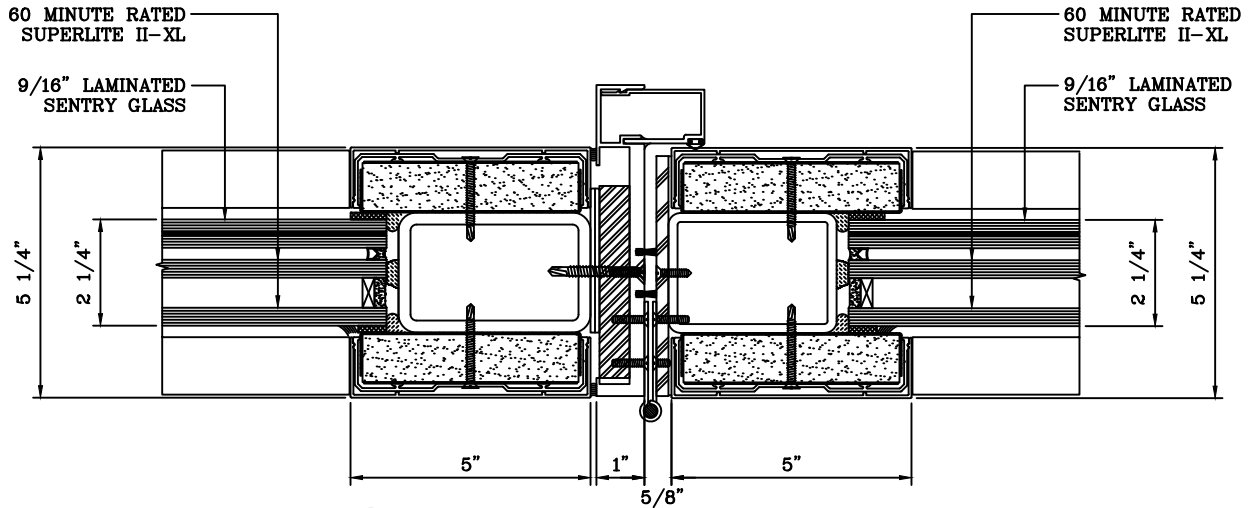
DRAWN:

SCALE:

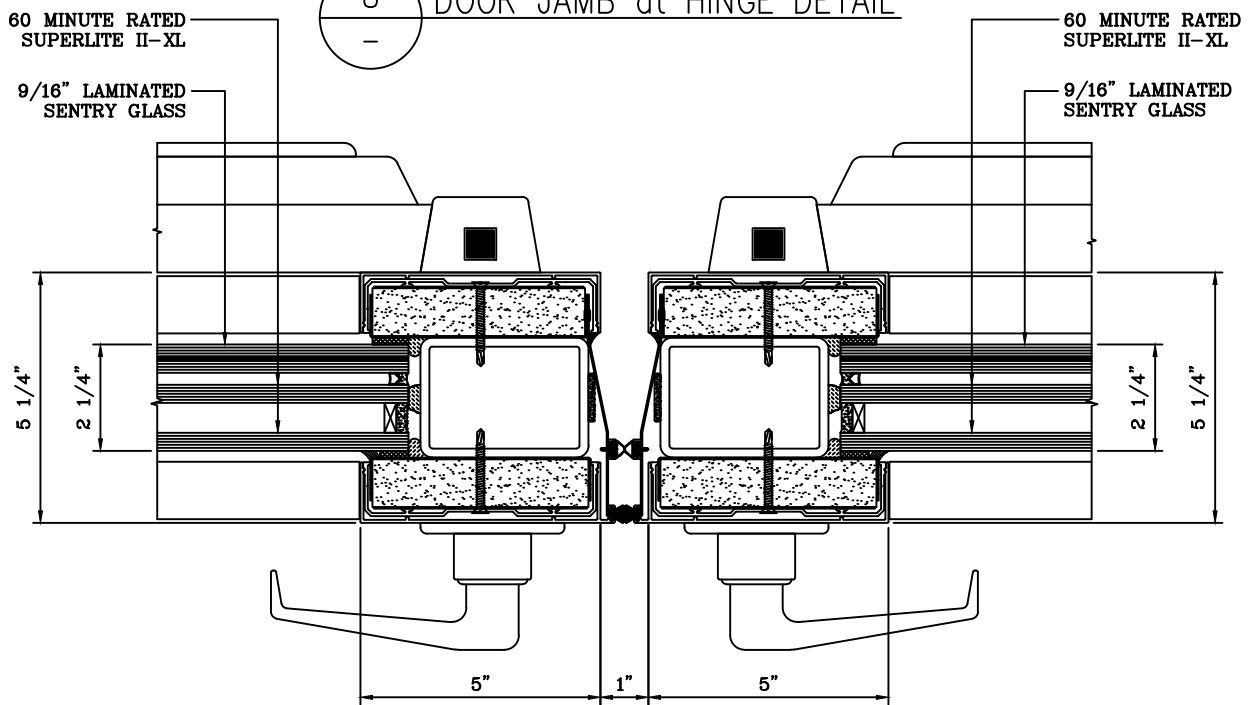
These details are subject to change without notice.

60 MINUTE FIRE RESISTIVE HURRICANE RATED WALL/WINDOW WITH 60 MINUTE FIRE RESISTIVE HURRICANE RATED DOOR PAIR – WITH FLORIDA PRODUCT APPROVAL –

For more details, please visit www.safti.com



8 DOOR JAMB at HINGE DETAIL



9 DOOR MEETING STILES DETAIL

SAFTIFIRST™
 FIRE RATED GLAZING SOLUTIONS *Since 1982*
 100 N. HILL DR. SUITE 12 TEL: (415) 824-4900
 BRISBANE, CA 94005 FAX: (415) 824-5900

SuperLite™ II-XL
GPX HURRICANE SYSTEM
FLORIDA PRODUCT APPROVAL

DATE:	
DRAWN:	SCALE:

These details are subject to change without notice.