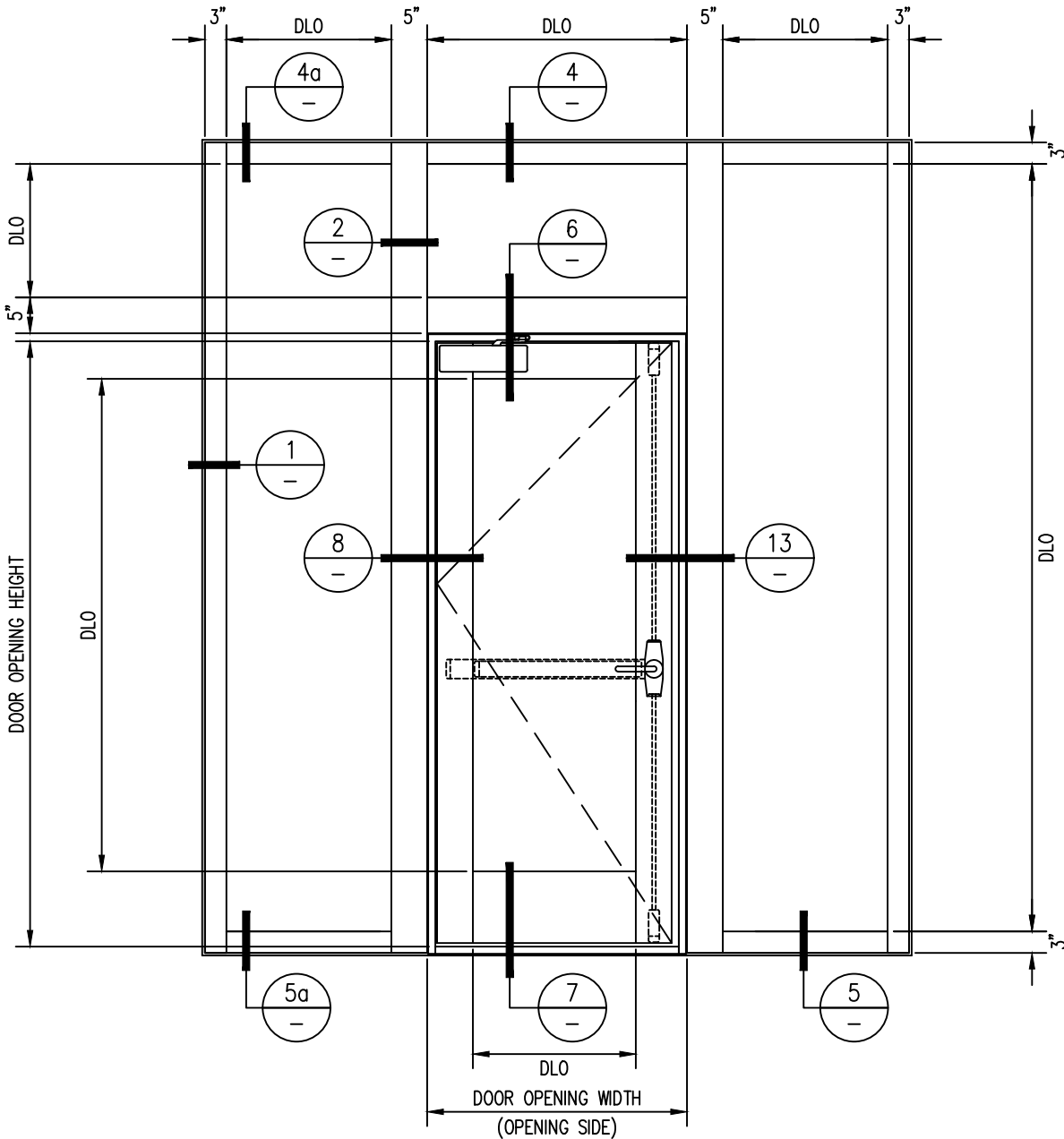


# 60 MINUTE FIRE RESISTIVE HURRICANE RATED WALL/WINDOW WITH 60 MINUTE FIRE RESISTIVE HURRICANE RATED SINGLE DOOR — WITH FLORIDA PRODUCT APPROVAL —

For more details, please visit [www.safti.com](http://www.safti.com)



**SAFTIFIRST™**  
 FIRE RATED GLAZING SOLUTIONS *Since 1982*  
 100 N. HILL DR. SUITE 12 TEL: (415) 824-4900  
 BRISBANE, CA 94005 FAX: (415) 824-5900

**SuperLite™ II-XL**  
**GPX HURRICANE SYSTEM**  
FLORIDA PRODUCT APPROVAL

DATE:

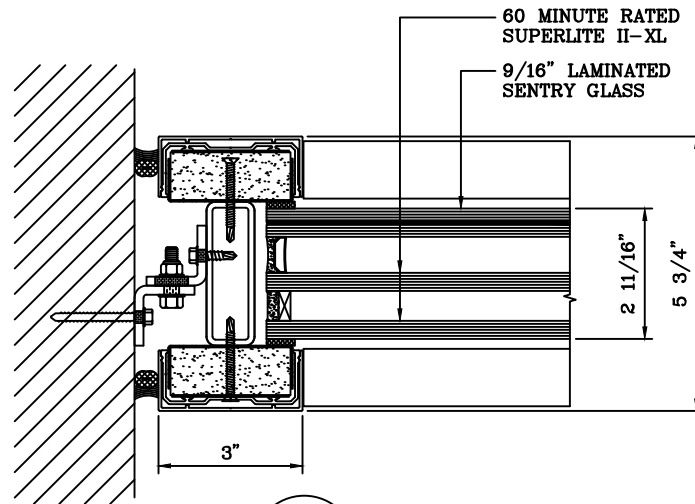
DRAWN:

SCALE:

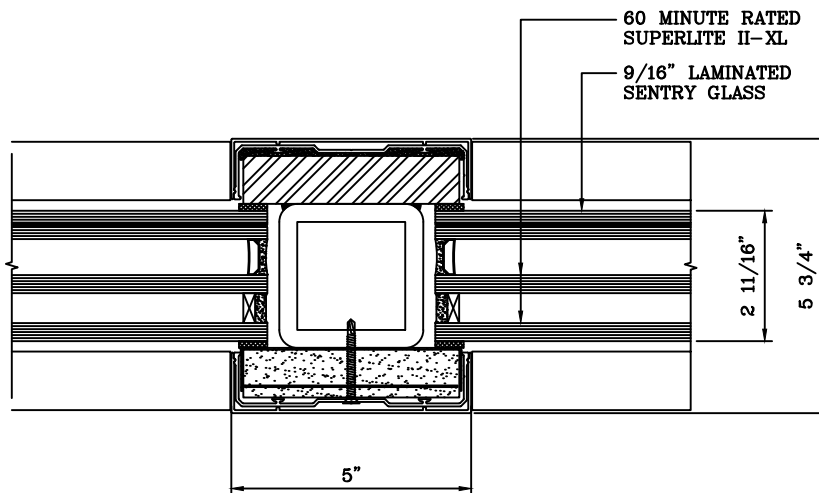
These details are subject to change without notice.

# 60 MINUTE FIRE RESISTIVE HURRICANE RATED WALL/WINDOW WITH 60 MINUTE FIRE RESISTIVE HURRICANE RATED SINGLE DOOR — WITH FLORIDA PRODUCT APPROVAL —

For more details, please visit [www.safti.com](http://www.safti.com)



1 JAMB DETAIL



2 VERTICAL MULLION DETAIL

**SAFTIFIRST™**  
FIRE RATED GLAZING SOLUTIONS Since 1982  
100 N. HILL DR. SUITE 12 TEL: (415) 824-4900  
BRISBANE, CA 94005 FAX: (415) 824-5900

**SuperLite™ II-XL**  
**GPX HURRICANE SYSTEM**  
FLORIDA PRODUCT APPROVAL

DATE:

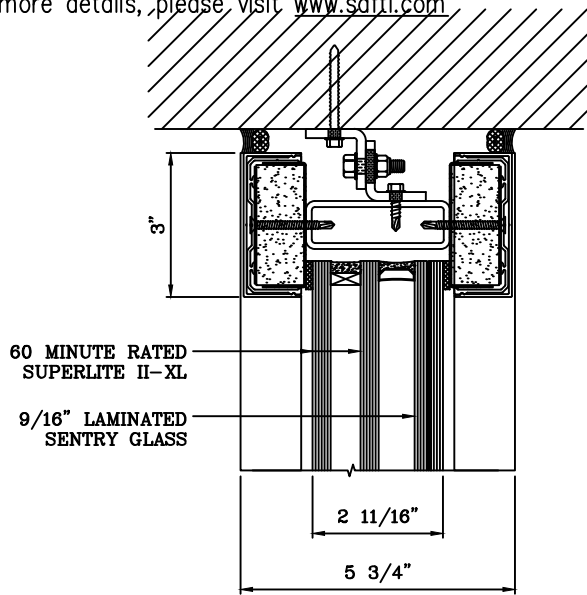
DRAWN:

SCALE:

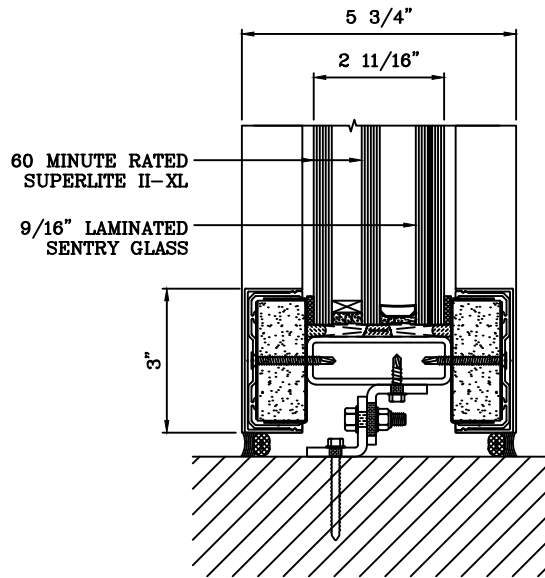
These details are subject to change without notice.

# 60 MINUTE FIRE RESISTIVE HURRICANE RATED WALL/WINDOW WITH 60 MINUTE FIRE RESISTIVE HURRICANE RATED SINGLE DOOR — WITH FLORIDA PRODUCT APPROVAL —

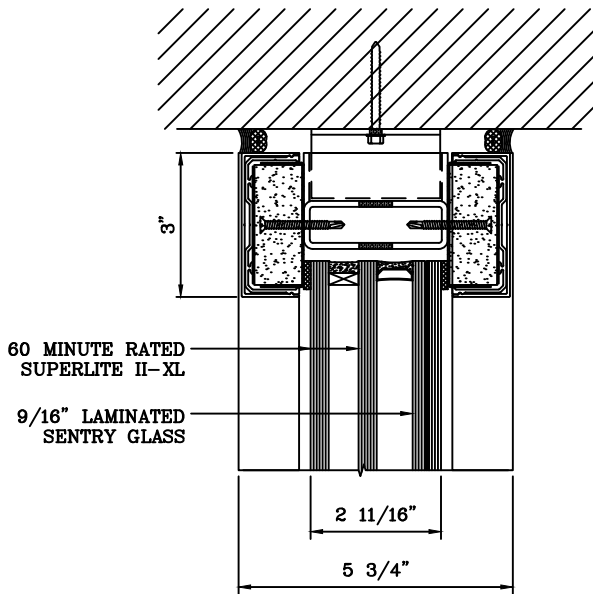
For more details, please visit [www.safti.com](http://www.safti.com)



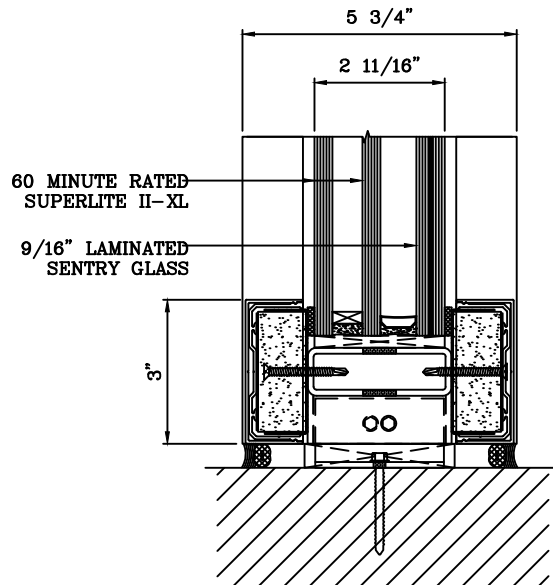
4 HEAD DETAIL  
—



5 SILL DETAIL  
—



4a HEAD DETAIL  
—



5a SILL DETAIL  
—

**SAFTIFIRST™**  
FIRE RATED GLAZING SOLUTIONS Since 1982  
100 N. HILL DR. SUITE 12 TEL: (415) 824-4900  
BRISBANE, CA 94005 FAX: (415) 824-5900

**SuperLite™ II-XL**  
**GPX HURRICANE SYSTEM**  
FLORIDA PRODUCT APPROVAL

DATE:

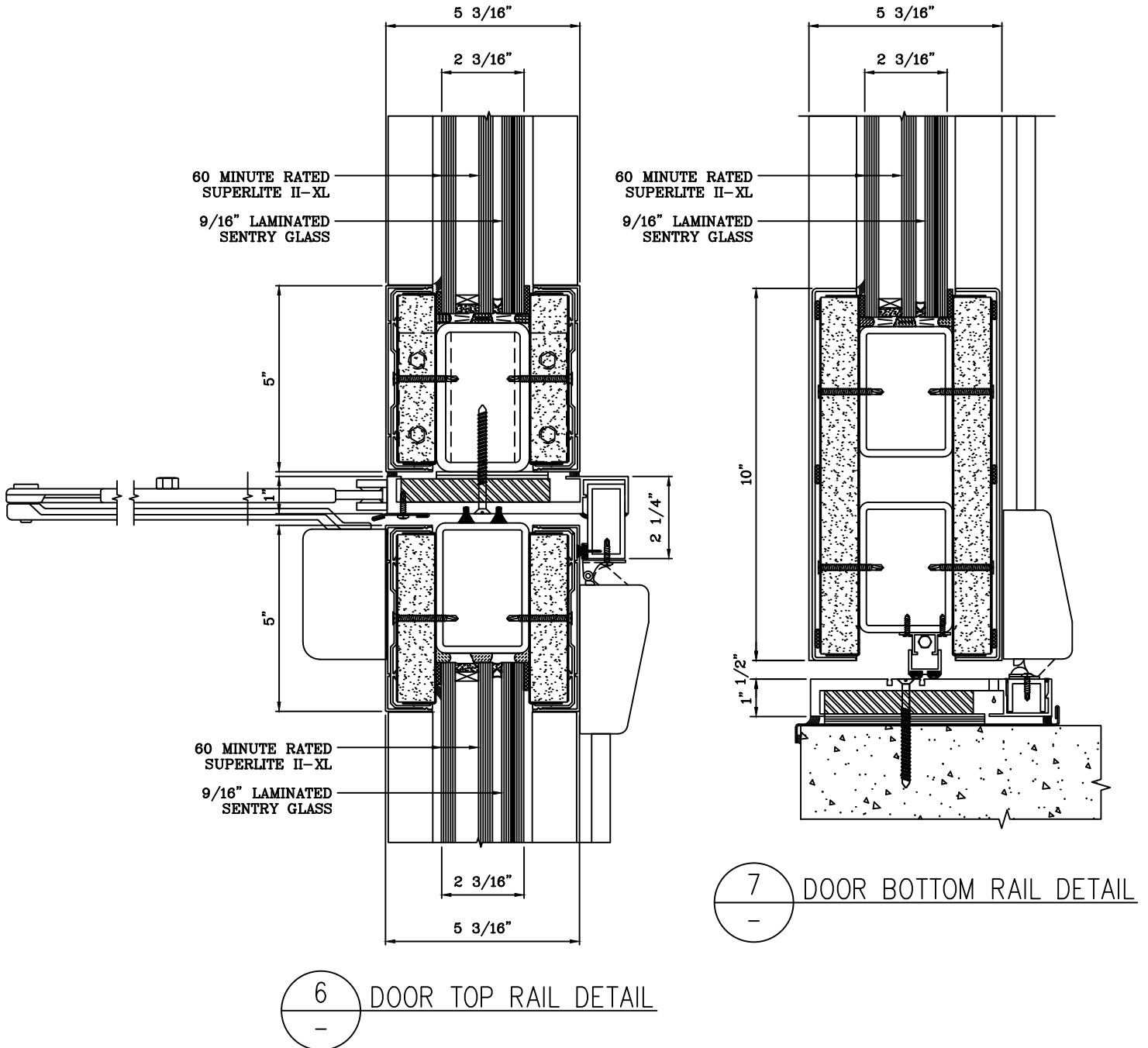
DRAWN:

SCALE:

These details are subject to change without notice.

# 60 MINUTE FIRE RESISTIVE HURRICANE RATED WALL/WINDOW WITH 60 MINUTE FIRE RESISTIVE HURRICANE RATED SINGLE DOOR — WITH FLORIDA PRODUCT APPROVAL —

For more details, please visit [www.safti.com](http://www.safti.com)



**SAFTIFIRST™**  
 FIRE RATED GLAZING SOLUTIONS *Since 1982*  
 100 N. HILL DR. SUITE 12 TEL: (415) 824-4900  
 BRISBANE, CA 94005 FAX: (415) 824-5900

**SuperLite™ II-XL**  
**GPX HURRICANE SYSTEM**  
FLORIDA PRODUCT APPROVAL

DATE:

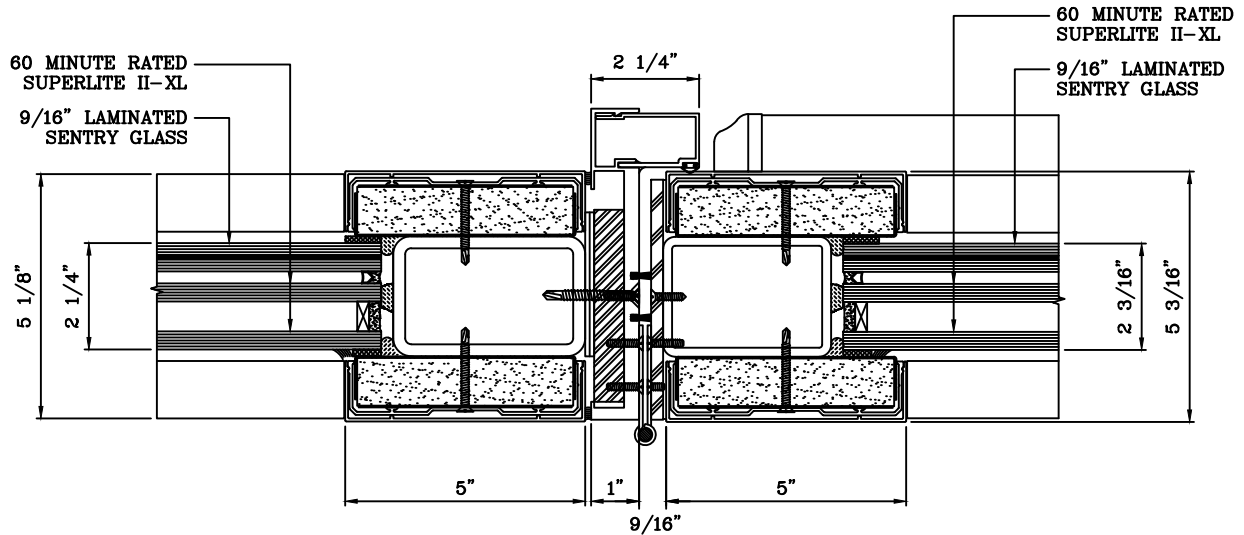
DRAWN:

SCALE:

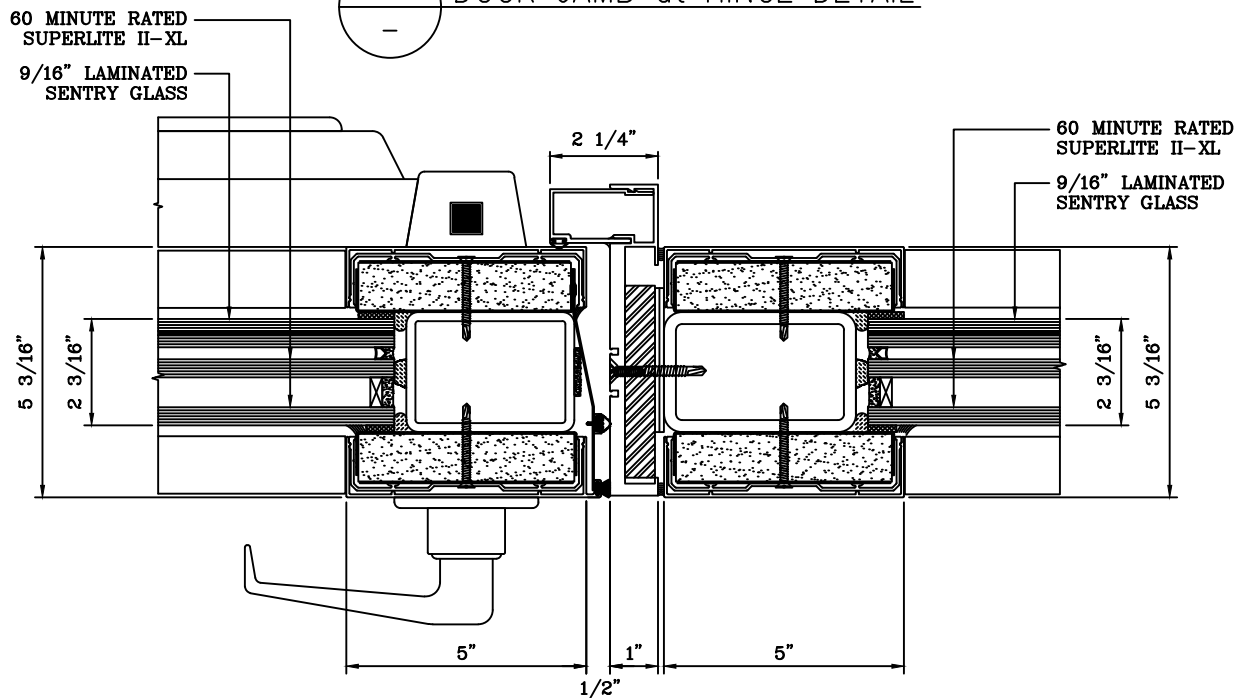
These details are subject to change without notice.

# 60 MINUTE FIRE RESISTIVE HURRICANE RATED WALL/WINDOW WITH 60 MINUTE FIRE RESISTIVE HURRICANE RATED SINGLE DOOR — WITH FLORIDA PRODUCT APPROVAL —

For more details, please visit [www.safti.com](http://www.safti.com)



8 DOOR JAMB at HINGE DETAIL



13 DOOR JAMB AT LOCK DETAIL

**SAFTIFIRST™**  
FIRE RATED GLAZING SOLUTIONS Since 1982  
100 N. HILL DR. SUITE 12 TEL: (415) 824-4900  
BRISBANE, CA 94005 FAX: (415) 824-5900

**SuperLite™ II-XL**  
**GPX HURRICANE SYSTEM**  
FLORIDA PRODUCT APPROVAL

DATE:

DRAWN:

SCALE:

These details are subject to change without notice.