

### PRODUCT ADVANTAGES



- ▶ 45 to 120 minute, clear fire and ballistic rated system.
- ▶ Meets UL 9/10B/10C, NFPA 252/257 for 45 minute fire protective glazed openings, sidelites, transoms and full-vision doors.
- ▶ Meets UL 10B/10C, NFPA 252, ASTM E-119/UL 263 for 60-90 minute temperature rise full vision doors.
- ▶ Meets ASTM E-119/UL 263 for 60-120 minute fire resistive glazed walls.
- ▶ Meets UL 752 up to Level 3 for full-vision doors assemblies and UL 752 up to Level 8 for glazed walls and openings.
- ▶ Meets ASTM F1592 Table 1 Grade 1 requirements for walls, openings, sidelites and transoms.
- ▶ Available in multiple finishes including high performance fluoropolymer finishes by PPG, stainless steel or aluminum clad, clear anodized, bronze anodized, black anodized, custom paint, and more.
- ▶ Ballistic only (non-fire rated) options also available.
- ▶ 5 year manufacturer's warranty.
- ▶ USA manufactured for fast lead times and competitive pricing.

#### MAX. SIZES FOR WALLS, OPENINGS, SIDELITES, AND TRANSOMS

Fire Rating	Max. CV Area	Max. CV Width	Max. CV Height	Stops
45-60 minutes	4,952 in. <sup>2</sup> (3.19 m <sup>2</sup> )	96 in. (2.44 m)	96 in. (2.44 m)	1 in. (25 mm)
90-120 minutes	4,876 in. <sup>2</sup> (3.19 m <sup>2</sup> )	96 in. (2.44 m)	96 in. (2.44 m)	1 in. (25 mm)

Please call **SAFTI FIRST** for custom sizes exceeding 96 in. (2.44 m) up to a maximum 124 in. (3.15 m).  
 Minimum clear view between structural members is 12 in. x 12 in. for UL 752.  
 Minimum clear view between structural members is 25-1/8" x 25-1/8" for ASTM F1592.

#### MAX. SIZES FOR DOORS

Fire Rating	Max. Door Opening (Single Door)	Max. Door Opening (Pair Door)
45-90 minutes	54 in. x 120 in. (1.37 m x 3.05 m)	108 in. x 120 in. (2.74 m x 3.05 m)

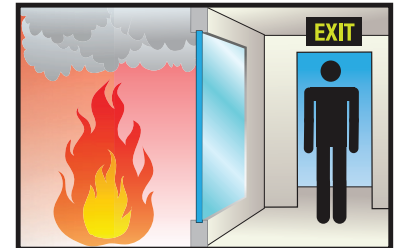
### INTERTEK TESTED AND CERTIFIED



GPX Ballistic Series is listed and labeled by Intertek, a nationally recognized testing laboratory approved by OSHA.

### FIRE RESISTIVE

Contains smoke and flames, and blocks the passage of radiant heat.



### SPECIFICATIONS

**Fire Rating:** 45-120 minutes with hose stream. Meets NFPA 251/252/257, UL 9/10B/10C/263, ASTM E-119, ULC CAN4-S101/S104/S106

**Ballistic Rating:** Meets UL 752 up to Level 3 for full-vision door assemblies and UL 752 up to Level 8 for glazed walls and openings.

**Detention Rating:** Meets ASTM F1592 Table 1 Grade 1 requirements for walls, openings, sidelites and transoms.

**Impact Safety Rating:** Meets CPSC Cat. II

### APPROVALS

NFPA 251, NFPA 252, NFPA 257, UL 9, UL 10B, UL 10C, UL 263, ASTM E-119, CPSC 16 CFR 1201 Cat. II, ANSI Z97.1, UL 752, ASTM F1592, ULC CAN4-S101, ULC CAN4-S104, ULC CAN4-S106

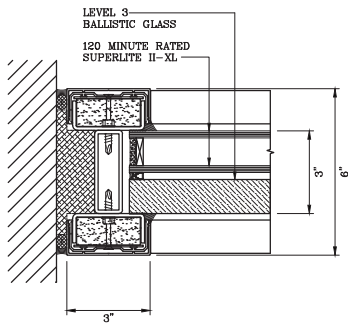
#### 3-part Specifications:

Available at

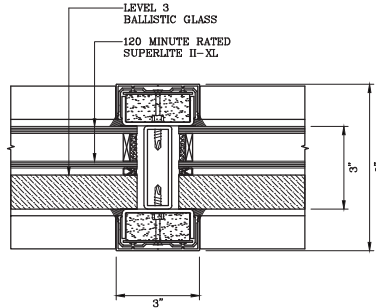
[www.safti.com/specifications](http://www.safti.com/specifications)

Made in the USA

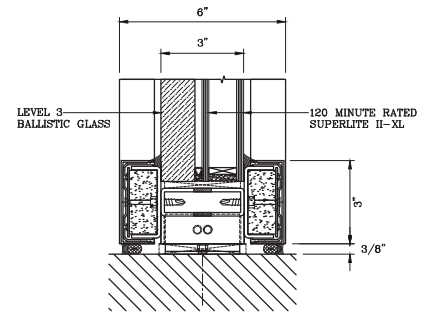
## TYPICAL DETAILS More details available at [www.safti.com/details](http://www.safti.com/details)



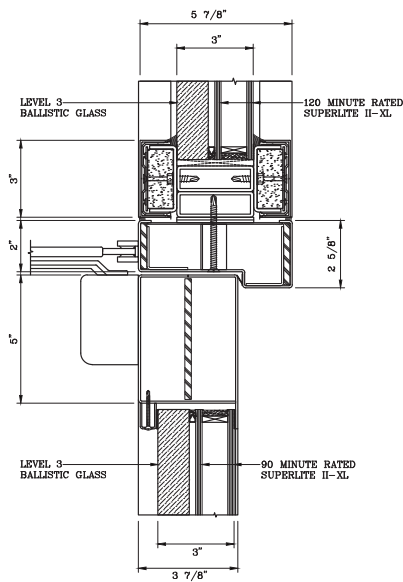
Jamb Detail



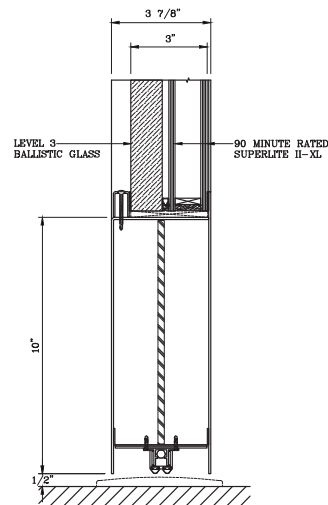
Vertical Mullion Detail



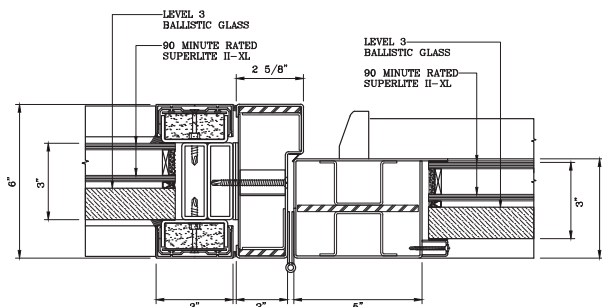
Sill Detail



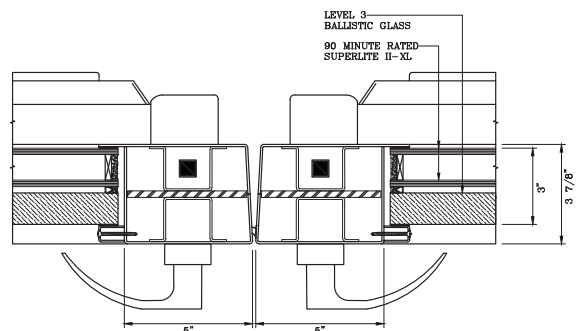
Door Top Rail Detail



Door Bottom Rail Detail



Door Jamb at Hinge



Door Meeting Stiles