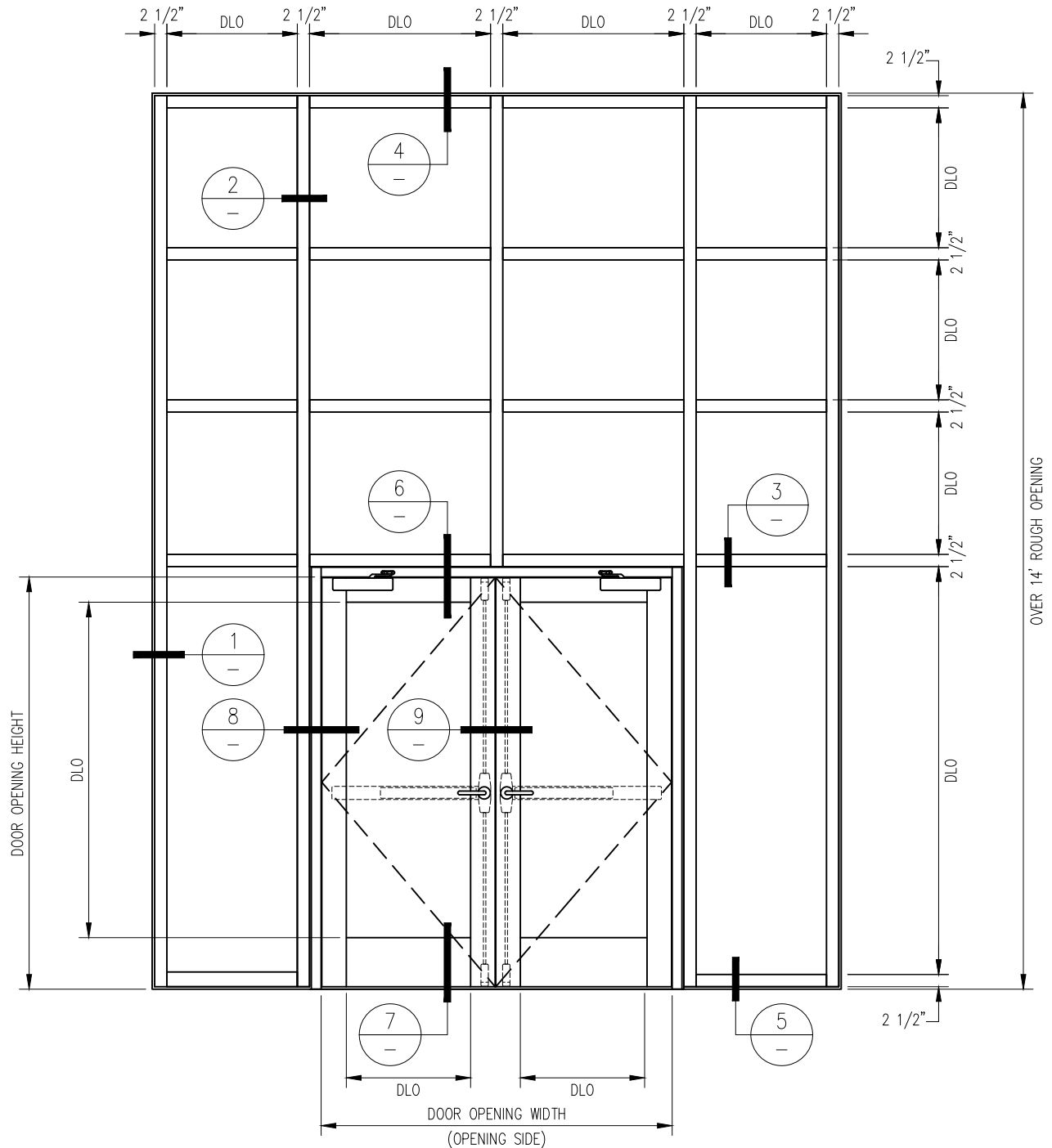


120 MINUTE FIRE RESISTIVE CURTAINWALL WITH 90 MINUTE FIRE RESISTIVE GPX DOOR PAIR – FOR SPANS OVER 14 FEET –

For more details, please visit www.safti.com



SAFTIFIRST™
 FIRE RATED GLAZING SOLUTIONS *Since 1982*
 100 N. HILL DR. SUITE 12 TEL: (415) 824-4900
 BRISBANE, CA 94005 FAX: (415) 824-5900

SuperLite™ II-XL
GPX CURTAIN WALL SYSTEM

DATE:

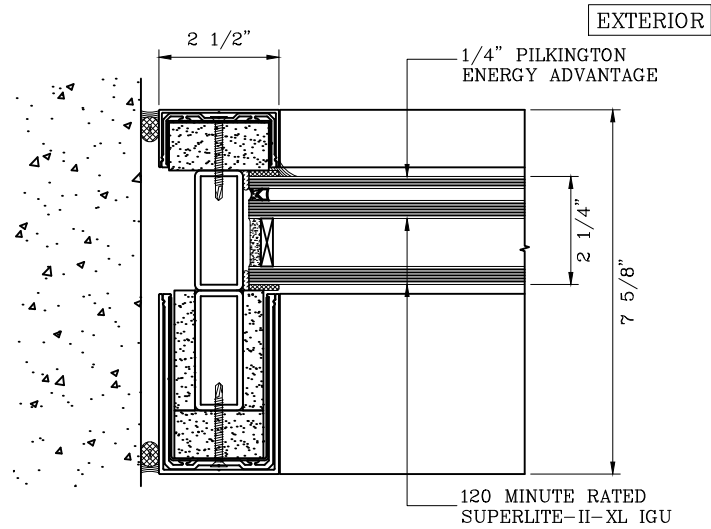
DRAWN:

SCALE:

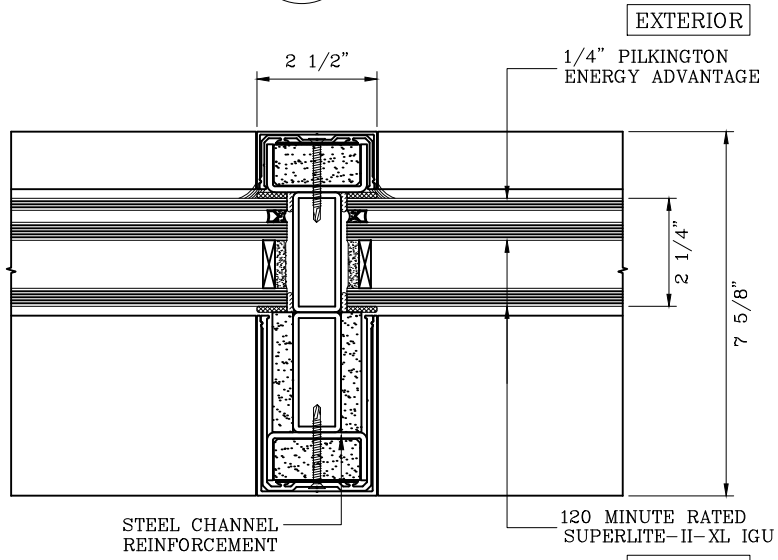
These details are subject to change without notice.

120 MINUTE FIRE RESISTIVE CURTAINWALL WITH 90 MINUTE FIRE RESISTIVE GPX DOOR PAIR — FOR SPANS OVER 14 FEET —

For more details, please visit www.safti.com



1
—
JAMB DETAIL



2
—
VERTICAL MULLION DETAIL

SAFTIFIRST™
FIRE RATED GLAZING SOLUTIONS *Since 1982*
100 N. HILL DR. SUITE 12 TEL: (415) 824-4900
BRISBANE, CA 94005 FAX: (415) 824-5900

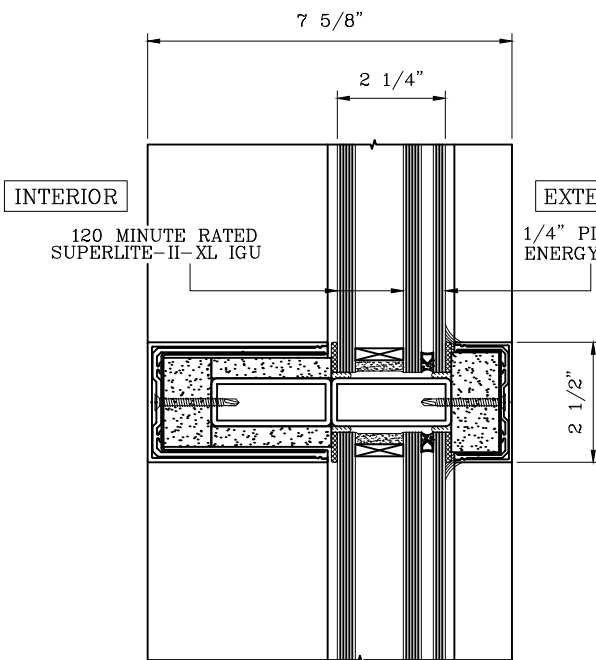
SuperLite™ II-XL
GPX CURTAIN WALL SYSTEM

| | |
|--------|--------|
| DATE: | |
| DRAWN: | SCALE: |

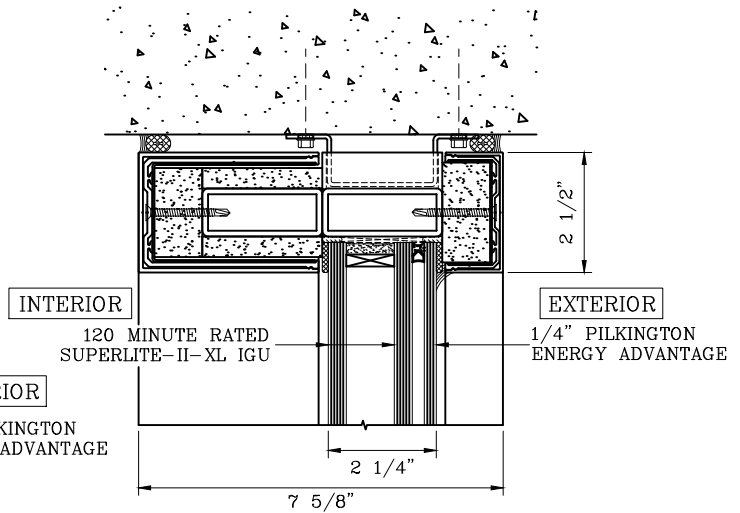
These details are subject to change without notice.

120 MINUTE FIRE RESISTIVE CURTAINWALL WITH 90 MINUTE FIRE RESISTIVE GPX DOOR PAIR – FOR SPANS OVER 14 FEET –

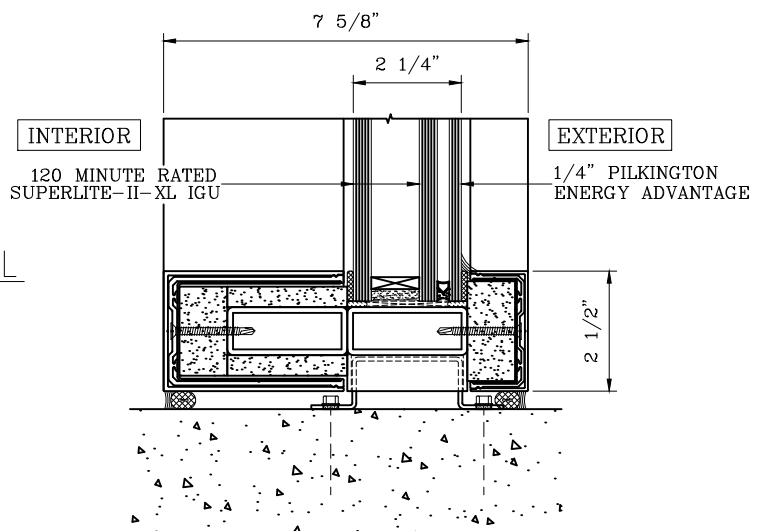
For more details, please visit www.safti.com



3 HORIZONTAL MULLION DETAIL



4 HEAD DETAIL



5 SILL DETAIL

SAFTIFIRST™
FIRE RATED GLAZING SOLUTIONS *Since 1982*
100 N. HILL DR. SUITE 12 TEL: (415) 824-4900
BRISBANE, CA 94005 FAX: (415) 824-5900

SuperLite™ II-XL
GPX CURTAIN WALL SYSTEM

DATE:

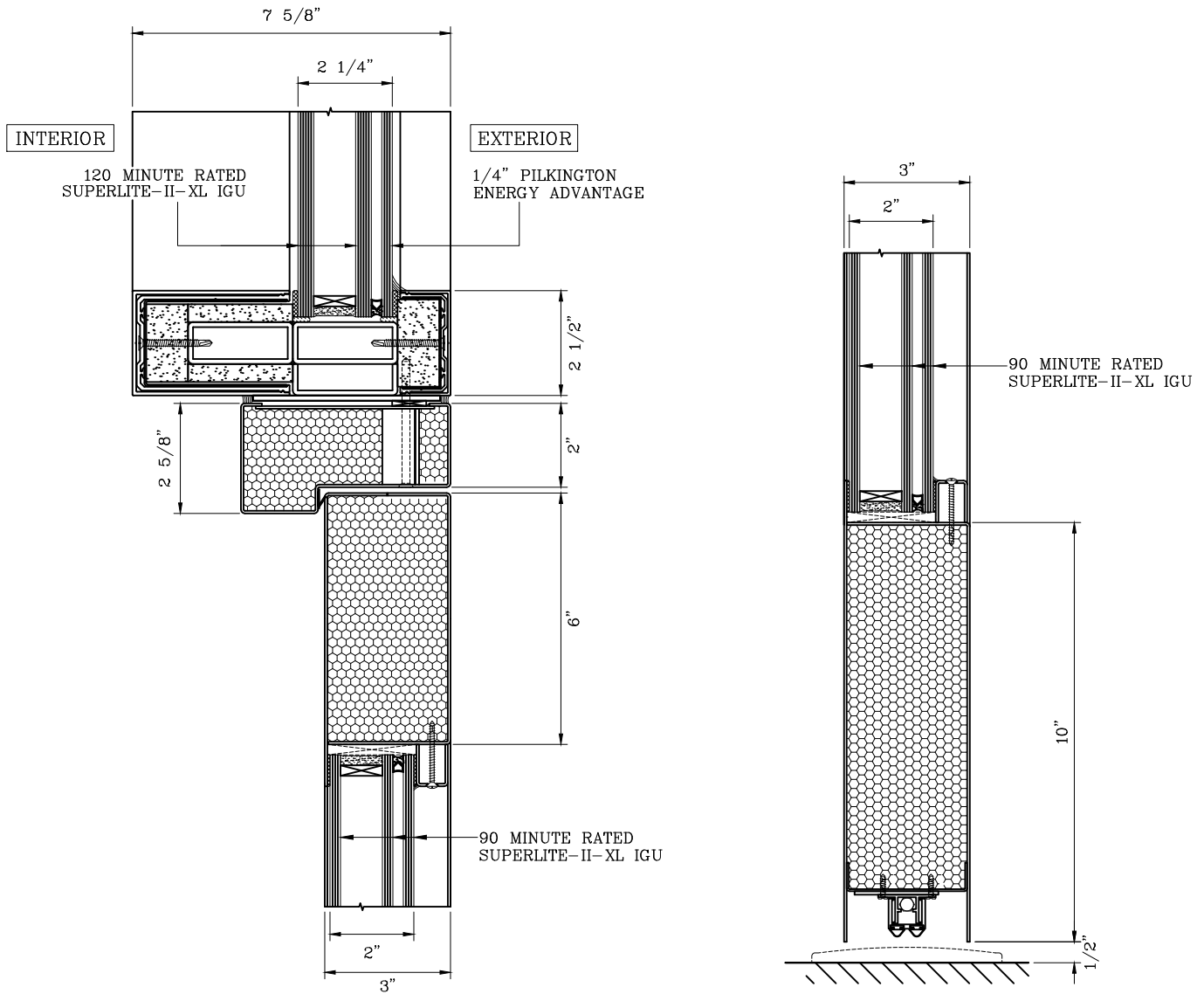
DRAWN:

SCALE:

These details are subject to change without notice.

120 MINUTE FIRE RESISTIVE CURTAINWALL WITH 90 MINUTE FIRE RESISTIVE GPX DOOR PAIR — FOR SPANS OVER 14 FEET —

For more details, please visit www.safti.com



(6) DOOR TOP RAIL DETAIL

(7) DOOR BOTTOM RAIL DETAIL

SAFTIFIRST™
 FIRE RATED GLAZING SOLUTIONS *Since 1982*
 100 N. HILL DR. SUITE 12 TEL: (415) 824-4900
 BRISBANE, CA 94005 FAX: (415) 824-5900

SuperLite™ II-XL
GPX CURTAIN WALL SYSTEM

DATE:

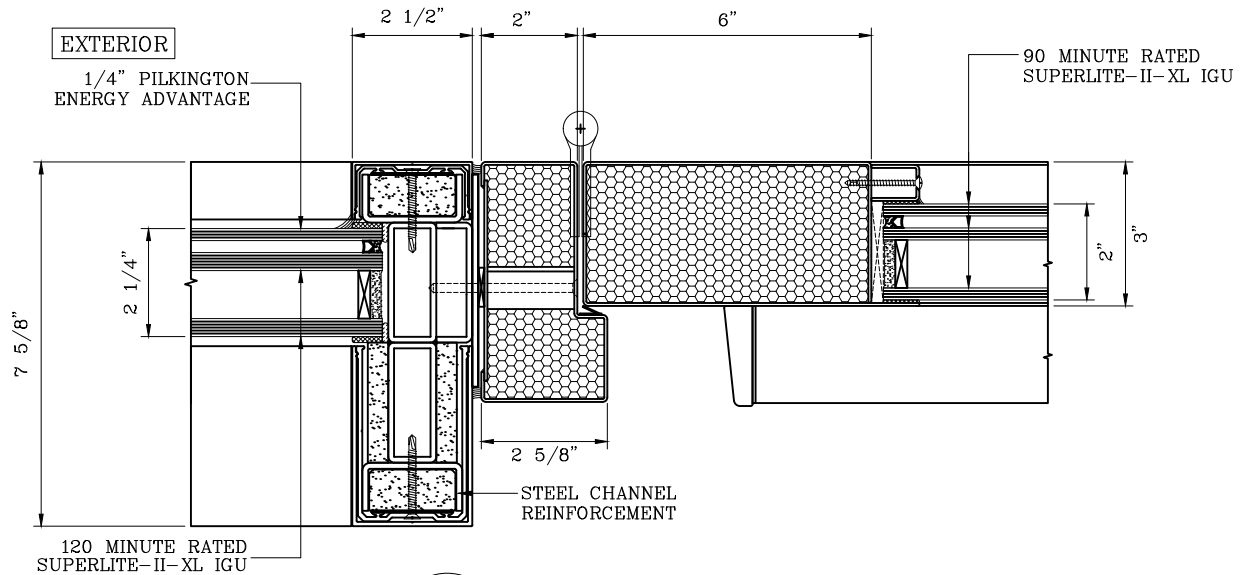
DRAWN:

SCALE:

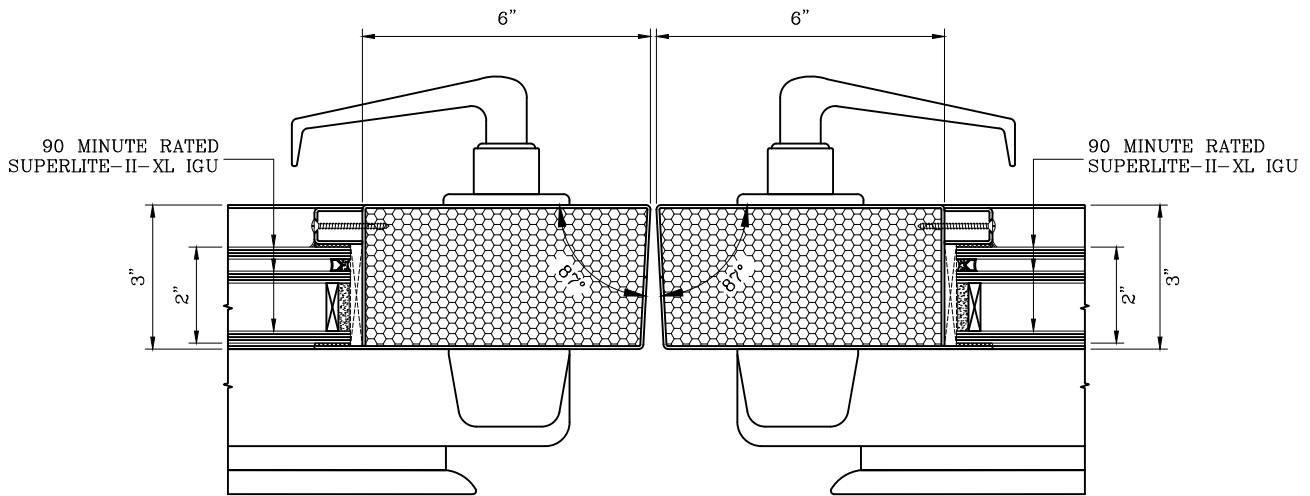
These details are subject to change without notice.

120 MINUTE FIRE RESISTIVE CURTAINWALL WITH 90 MINUTE FIRE RESISTIVE GPX DOOR PAIR — FOR SPANS OVER 14 FEET —

For more details, please visit www.safti.com



8 DOOR JAMB at HINGE DETAIL



9 DOOR MEETING STILES DETAIL

SAFTIFIRST™
FIRE RATED GLAZING SOLUTIONS Since 1982
100 N. HILL DR. SUITE 12 TEL: (415) 824-4900
BRISBANE, CA 94005 FAX: (415) 824-5900

SuperLite™ II-XL
GPX CURTAIN WALL SYSTEM

DATE:

DRAWN:

SCALE:

These details are subject to change without notice.