

SuperLite® II-XL 90

90 Minute
Fire Resistive Glazing

PRODUCT ADVANTAGES



- ▶ **Maximum fire and impact safety with hose stream and full radiant heat protection.**
- ▶ Largest tested and approved sizes up to 4,876 in.² (3.15 m²) in standard 1-1/2 in. (39 mm) profile.
- ▶ Tint-free and optically clear. Perfect for property line requirements.
- ▶ Acoustical value of 44 STC.
- ▶ Available in custom architectural make-ups, such as laminated glass and energy-saving insulated units with NFRC certifications when used with GPX® Architectural Series Framing.
- ▶ Can be customized to protect against forced entry, bullets, blast, hurricane, sound and more.
- ▶ Standard 5 year limited warranty.
- ▶ USA manufactured for fast lead times and competitive pricing.



Now available with Starphire Ultra-Clear® glass by Vitro

Largest Sizes for Doors and Exterior Windows

Fire Rating	Max. CV Area	Max. CV Width	Max. CV Height	Stops
90 minute walls	4,876 in. ² (3.15 m ²)	124 in. (3.15 m)	124 in. (3.15 m)	5/8 in. (16 mm)
90 minute doors	4,990 in. ² (3.22 m ²)	126 in. (3.2 m)	126 in. (3.2 m)	5/8 in. (16 mm)

1 in. stops recommended (25 mm). See [Quality and Construction Information for SAFTI FIRST® Fire Resistive Glass](#) on the website for more information.

UL AND INTERTEK TESTED AND CERTIFIED



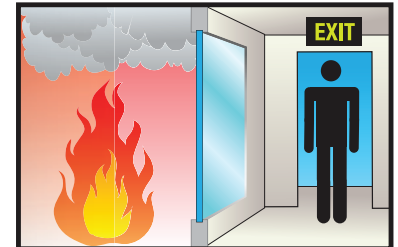
SuperLite® II-XL is listed and labeled by Intertek and Underwriters Laboratories, nationally recognized testing laboratories approved by OSHA.

APPROVALS

UL 9, UL 10B, UL 10C, UL 263, NFPA 80, NFPA 251, NFPA 252, NFPA 257, ASTM E119, ASTM E152, ASTM E163, ASTM E2074, ASTM E2010-01, CPSC 16 CFR 1201 Cat. II, ANSI Z97.1, ULC CAN4-S101, ULC CAN4-S104, ULC CAN4-S106, NFRC 100, NFRC 200, NFRC 500, ASTM C1629/C1629M, ASTM E695, ASTM D4977.

FIRE RESISTIVE

Contains smoke, flames and blocks the passage of radiant heat.



SPECIFICATIONS

Thickness: 1-1/2 in. (39 mm) standard; 2-1/4 in. (57 mm) when insulated with Low-E

Weight: 12 lbs./sq. ft. (59 kg/m²) in 1-1/2 in. (39 mm) standard profile

Sound Transmission Rating: STC 44 rating in 1-1/2 in. (39 mm) standard profile

Outdoor-Indoor Transmission Class: OITC 40 rating in 1-1/2 in. (39 mm) standard profile

Fire Rating: 90 minutes with hose stream. Meets ASTM E119 and UL 263

Visible Transmittance: 0.853 with clear standard; 0.875 with clear low-iron

Impact Safety Rating: CPSC 16 CFR 1201 Cat. I and II & ANSI Z97.1

NFRC Certification with GPX® Architectural Series Framing:
0.34 U-Factor with Solarban 60
0.27 SHGC with Solarban 60
55 Condensation Resistance with Solarban 60

Hard Body Impact Classification:
ASTM C1629/C1629M Level 3

Soft Body Impact Classification:
ASTM E695 Level 3

Surface Abrasion Resistance:
ASTM D4977 Level 3



Made in the USA

www.safti.com

SAFTIFIRST®
SAFETY AND FIRE TECHNOLOGY INC.

888.653.3333

SuperLite® II-XL 90

90 Minute
Fire Resistive Glazing



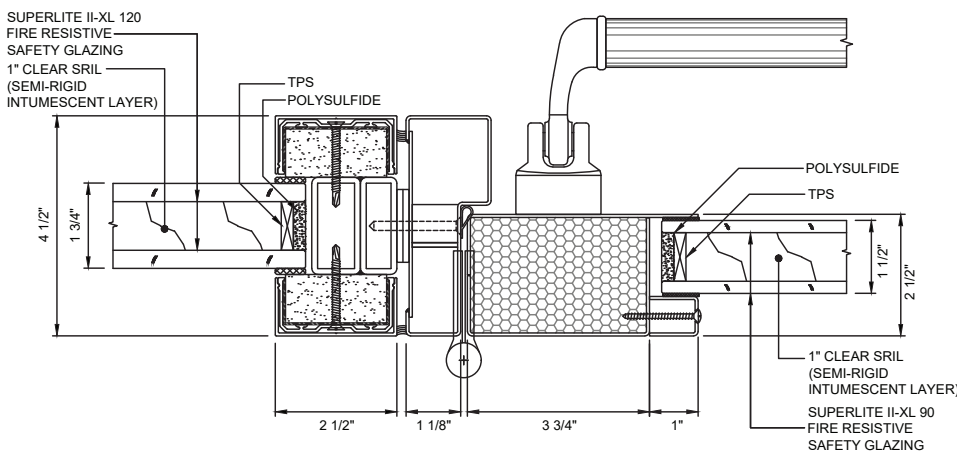
Fire resistive SuperLite® II-XL in GPX® Architectural Series Framing (including doors) provides transparency to this two-hour wall; enhancing the sense of openness by maximizing natural light in interior spaces, with the added benefits of safe egress and personal security.

- Project:** CSU Fullerton Recreation Center in Fullerton, CA
- Architect:** Langdon and Wilson
- Contract Glazier:** Woodbridge Glass
- Products Used:** SuperLite® II-XL 120 in GPX® Architectural Series Framing & SuperLite® II-XL 90 in GPX® Architectural Series Doors

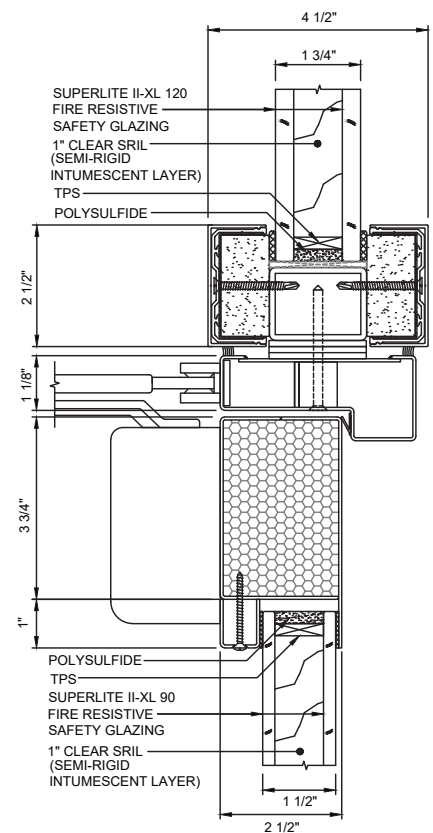
3-Part Specifications available at www.safti.com/specifications

TYPICAL DETAILS More details available at www.safti.com/details

SuperLite® II-XL 120 in GPX® Architectural Series Sidelite/Transom and SuperLite® II-XL 90 in GPX® Builders Series Temperature Rise Door



DOOR JAMB AT HINGE DETAIL



DOOR TOP RAIL DETAIL

Details not to scale.

Starphire Ultra-Clear® is a registered trademark owned by Vitro. The information provided herein is for general reference only. Please visit www.safti.com for the most updated information. © SAFTI FIRST® April 2022