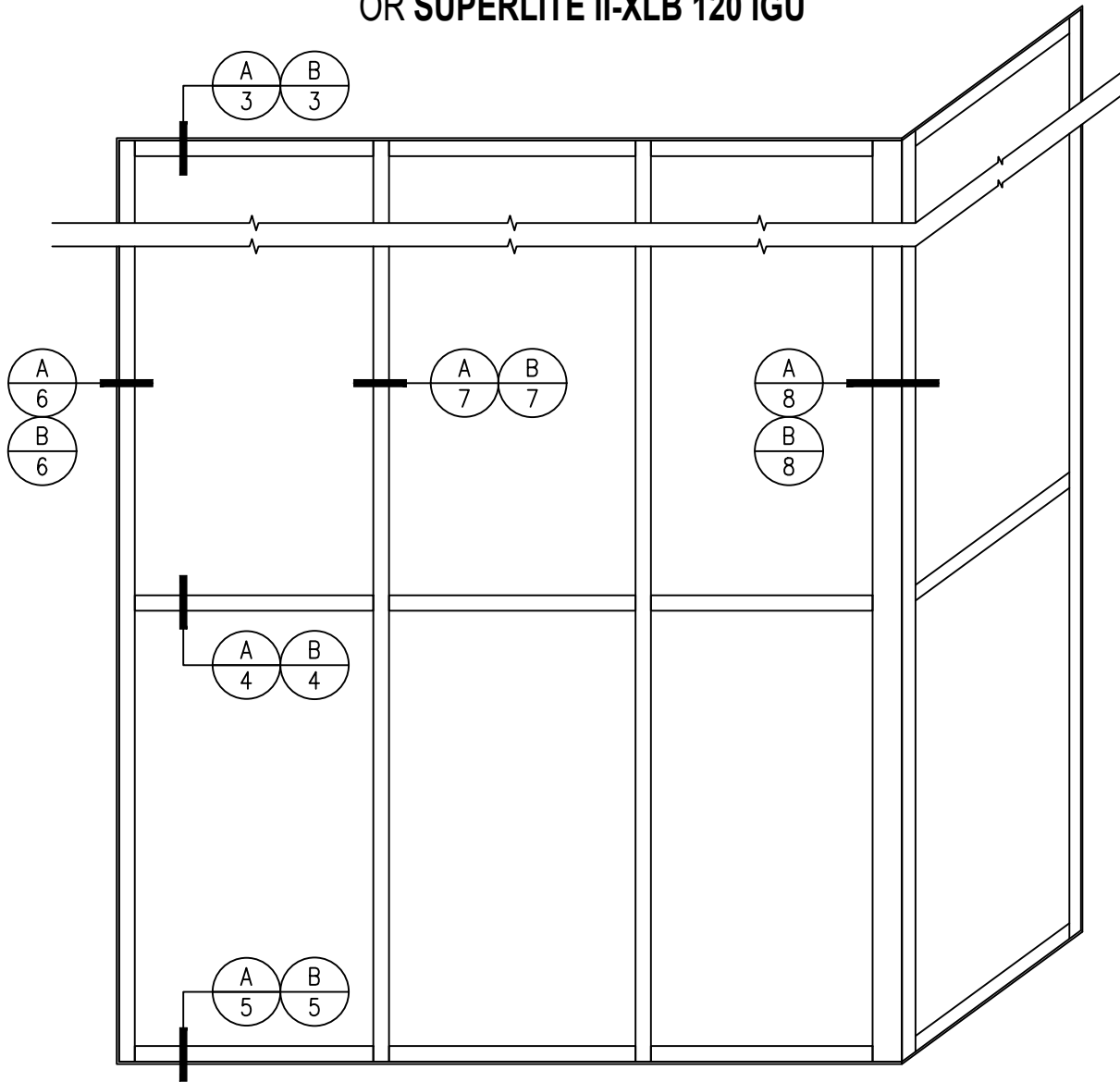


GPX CURTAINWALL SYSTEM

120 MINUTE *FIRE RESISTIVE* CURTAIN WALL

GPX CURTAIN WALL SYSTEM WITH SUPERLITE II-XL 120 IGU
OR SUPERLITE II-XLB 120 IGU



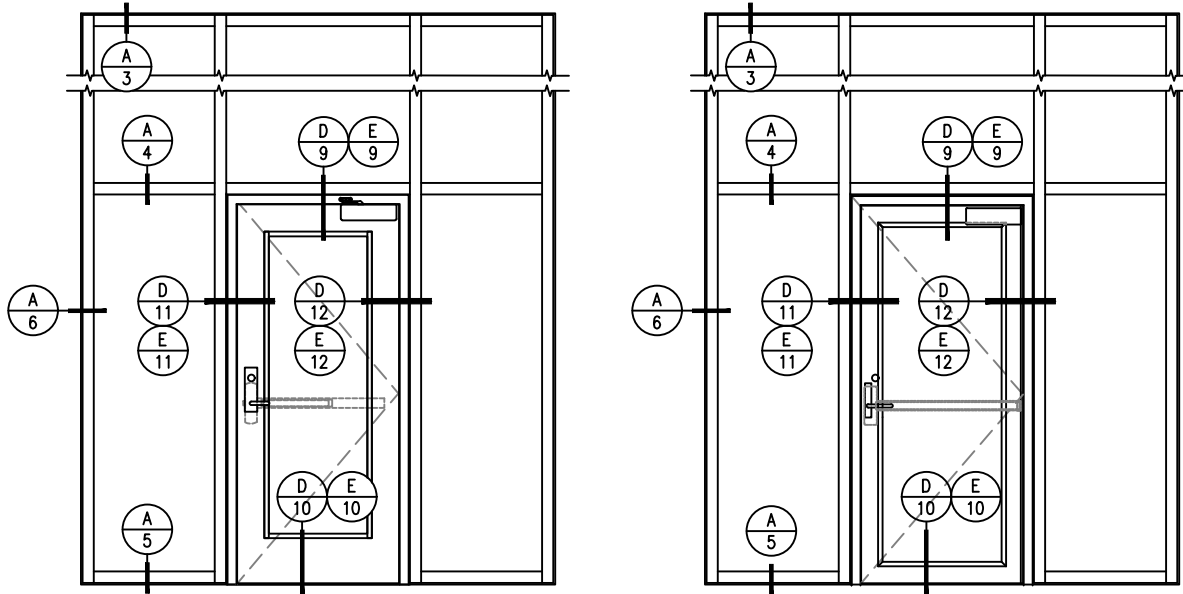
GLASS TYPE

- (A) SUPERLITE II-XL 120 IGU
MAX. CV AREA PER INDIVIDUAL LITE: **4,876 SQ. IN.**
MAX. CV HEIGHT OR WIDTH PER INDIVIDUAL LITE: **124 IN.**
- (B) SUPERLITE II-XLB 120 IGU
MAX. CV AREA PER INDIVIDUAL LITE: **7,980 SQ. IN.**
MAX. CV HEIGHT OR WIDTH PER INDIVIDUAL LITE: **133 IN.**

GPX CURTAINWALL SYSTEM

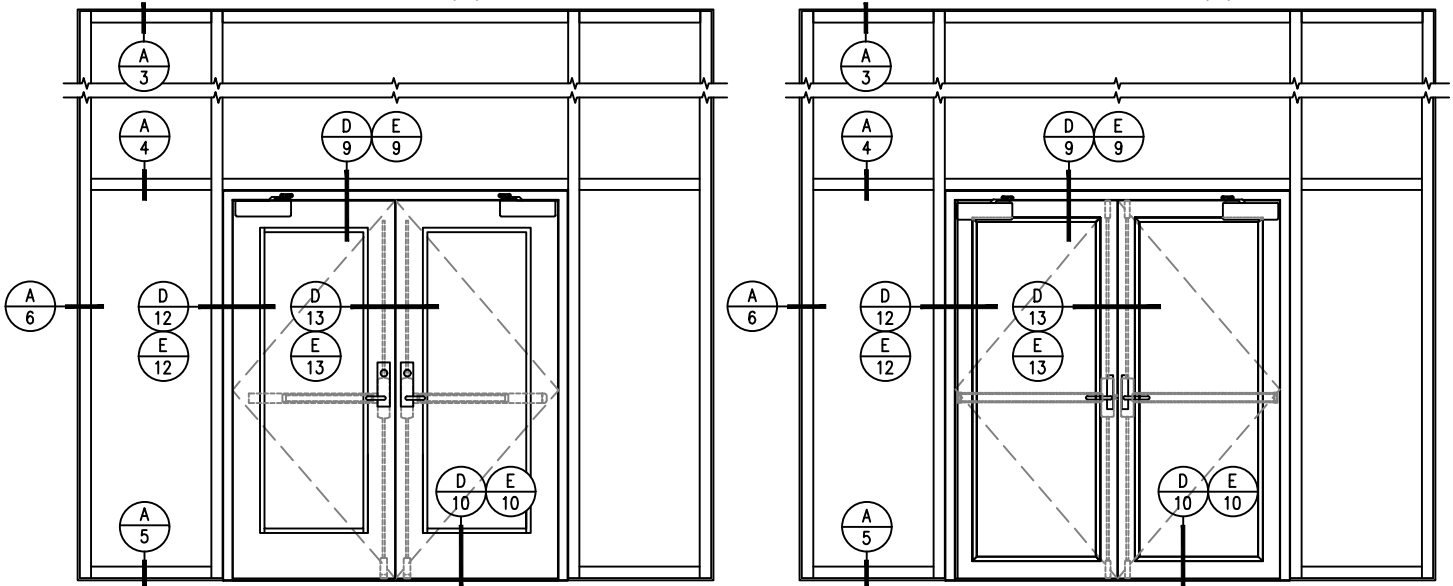
120 MINUTE FIRE RESISTIVE GPX SIDELITES/TRANSOMS WITH 90 MINUTE GPX BUILDERS SERIES TEMPERATURE RISE DOORS

GPX BUILDERS SERIES TEMPERATURE RISE SINGLE DOOR WITH SUPERLITE II-XL 90 IGU
STANDARD (D) NARROW STYLE (E)



MAX. DOOR OPENING SIZE FOR
SINGLE DOOR: 54 IN. X 120 IN.

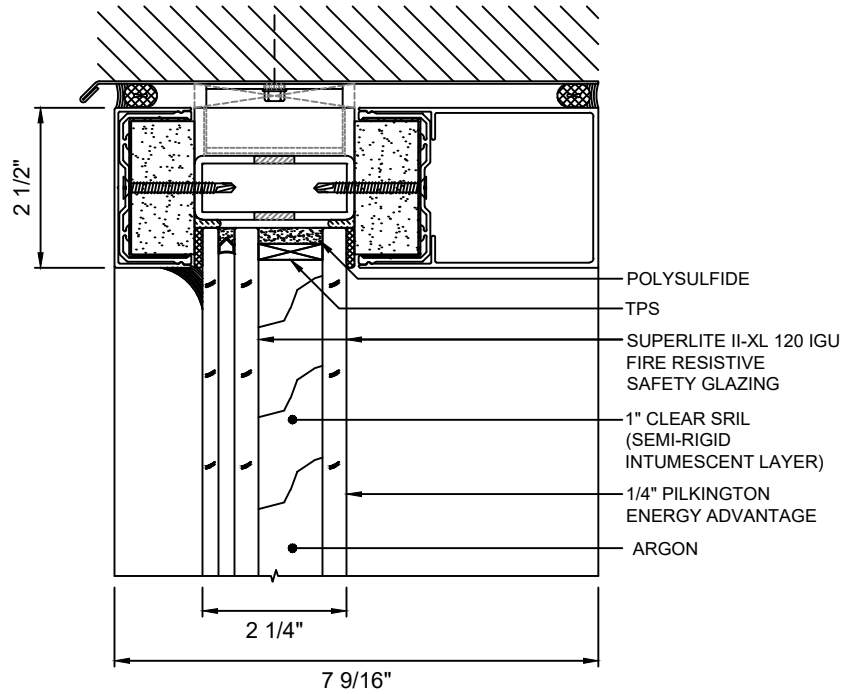
GPX BUILDERS SERIES TEMPERATURE RISE PAIR DOOR WITH SUPERLITE II-XL 90 IGU
STANDARD (D) NARROW STYLE (E)



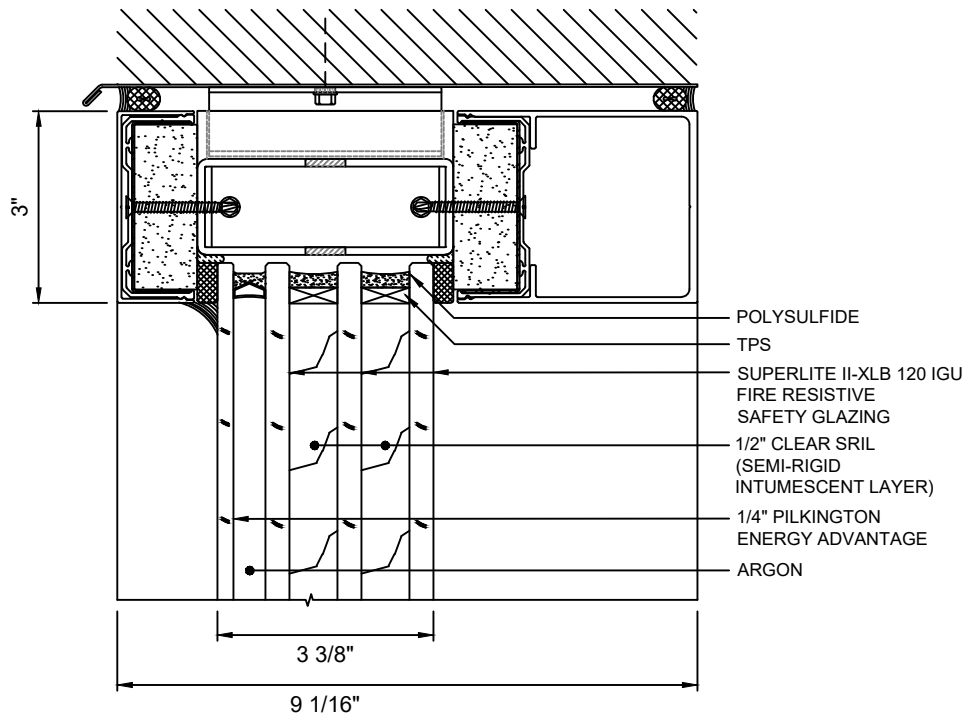
MAX. DOOR OPENING SIZE FOR
PAIR DOOR: 96 IN. X 120 IN.

GPX CURTAINWALL SYSTEM

120 MINUTE FIRE RESISTIVE CURTAIN WALL



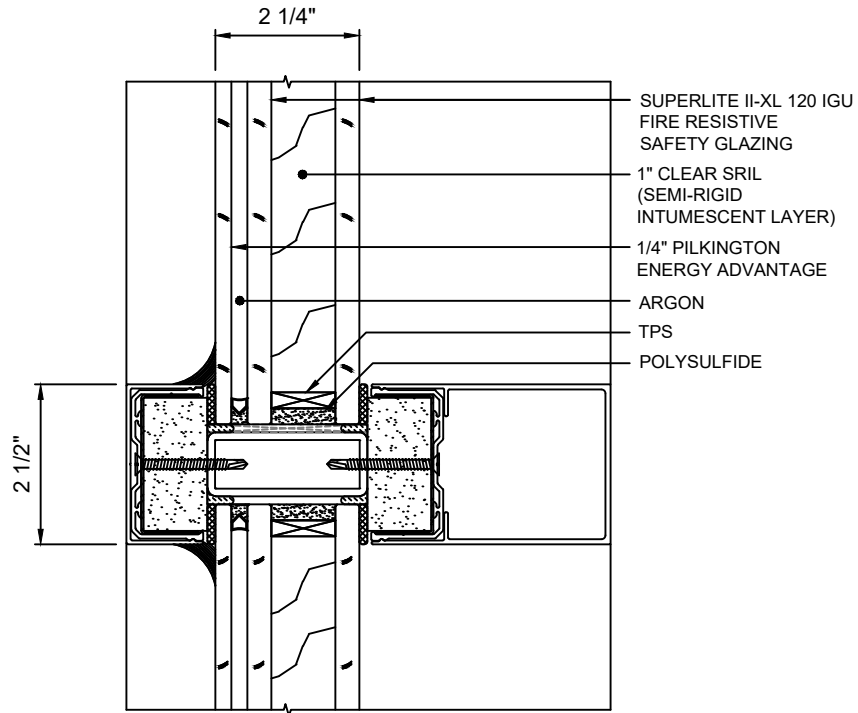
A HEAD DETAIL
3 WITH SUPERLITE II-XL 120 IGU



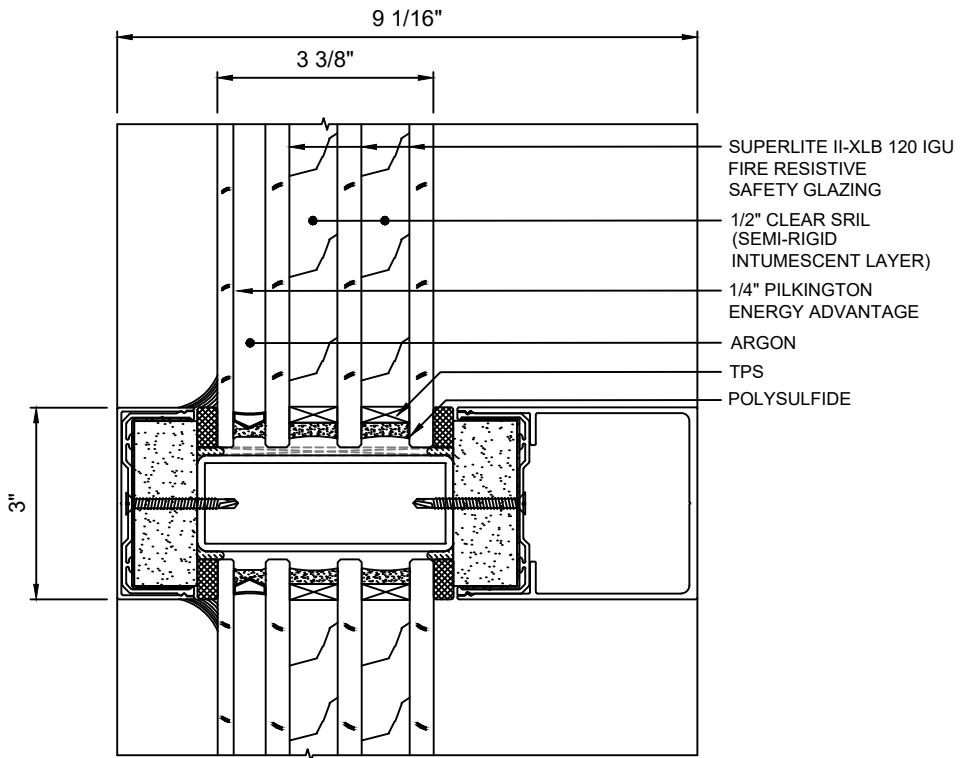
B HEAD DETAIL
3 WITH SUPERLITE II-XLB 120 IGU

GPX CURTAINWALL SYSTEM

120 MINUTE FIRE RESISTIVE CURTAIN WALL



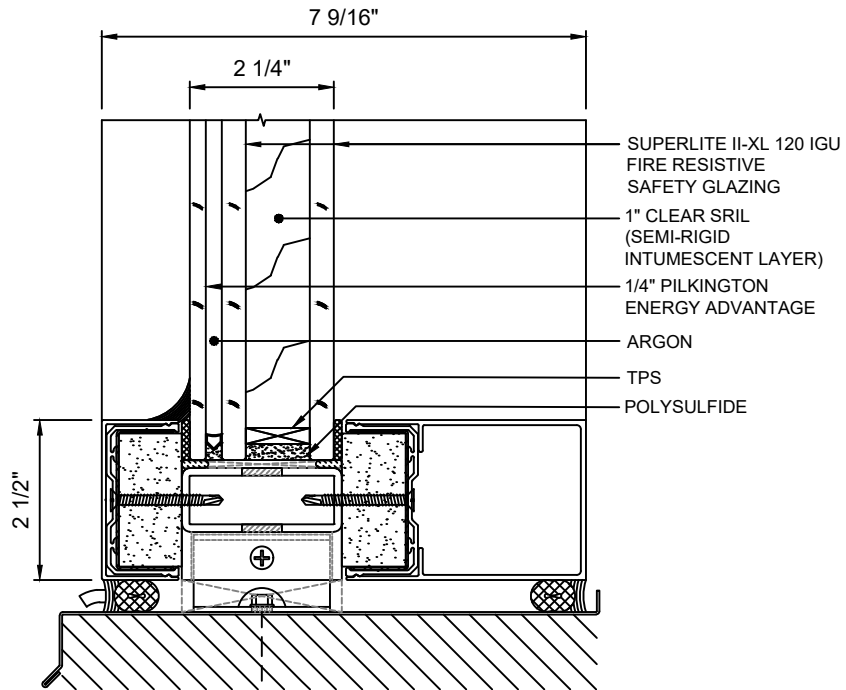
(A) HORIZONTAL MULLION
4 WITH SUPERLITE II-XL 120 IGU



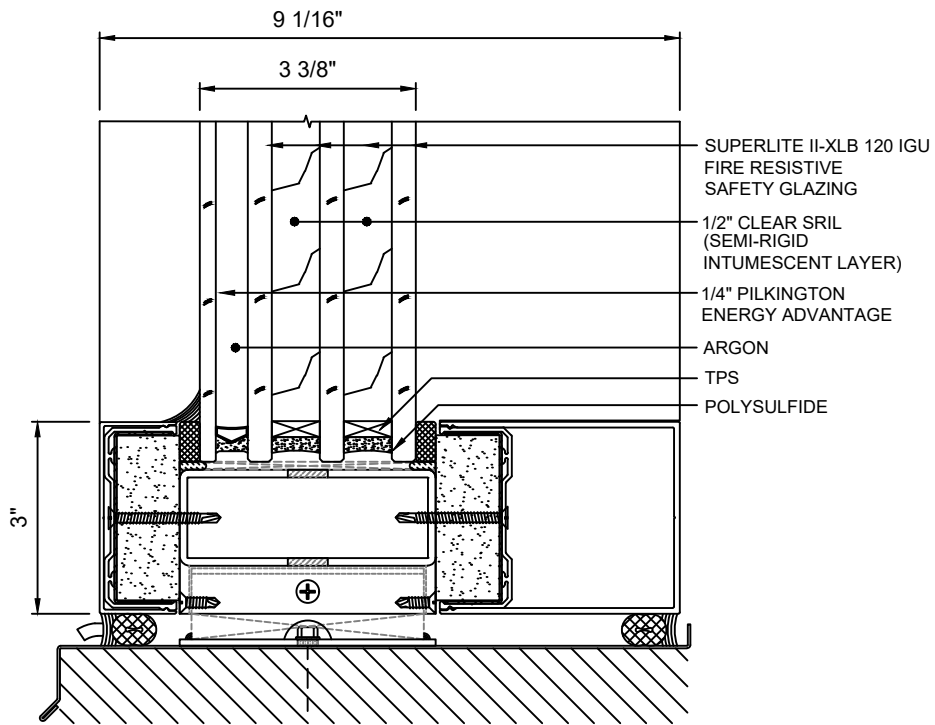
(B) HORIZONTAL MULLION
4 WITH SUPERLITE II-XLB 120 IGU

GPX CURTAINWALL SYSTEM

120 MINUTE FIRE RESISTIVE CURTAIN WALL



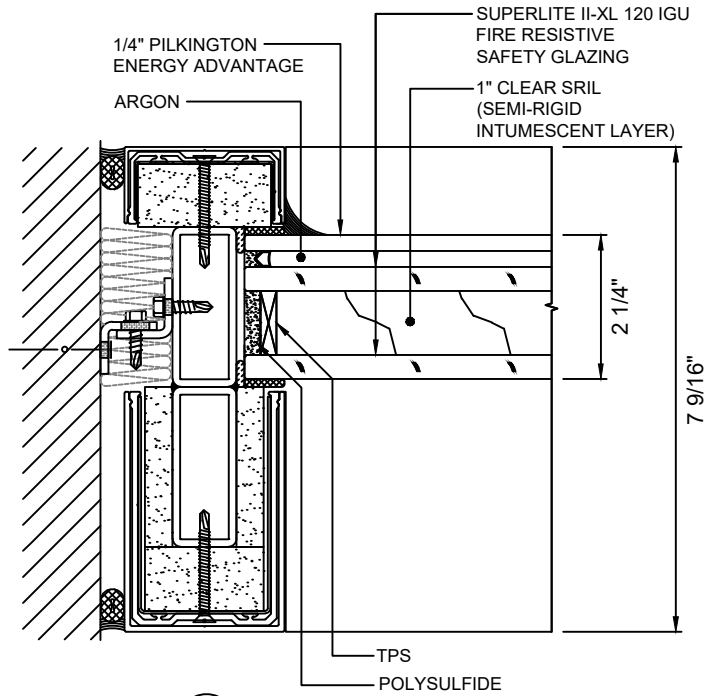
(A) SILL DETAIL
5 WITH SUPERLITE II-XL 120 IGU



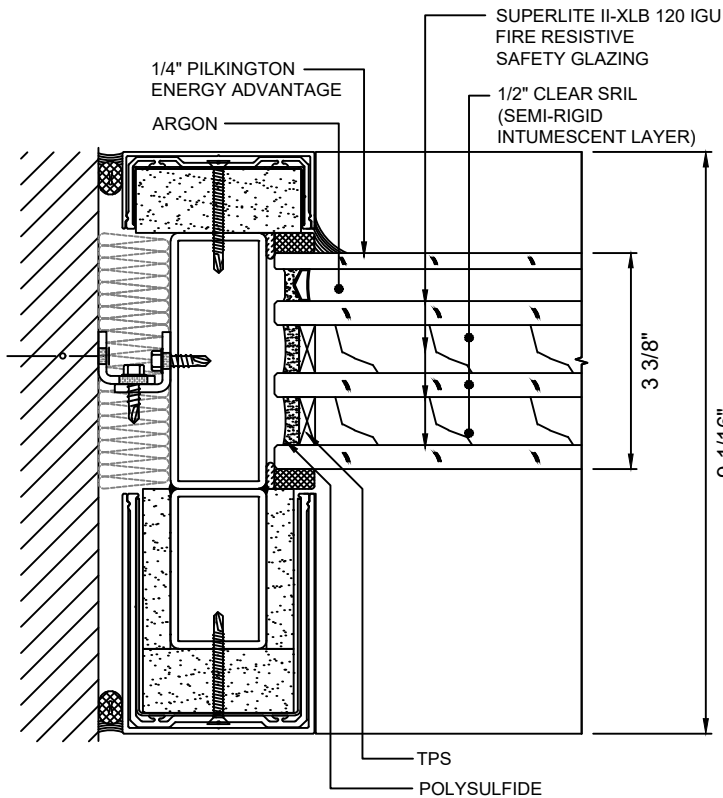
(B) SILL DETAIL
5 WITH SUPERLITE II-XLB 120 IGU

GPX CURTAINWALL SYSTEM

120 MINUTE FIRE RESISTIVE CURTAIN WALL



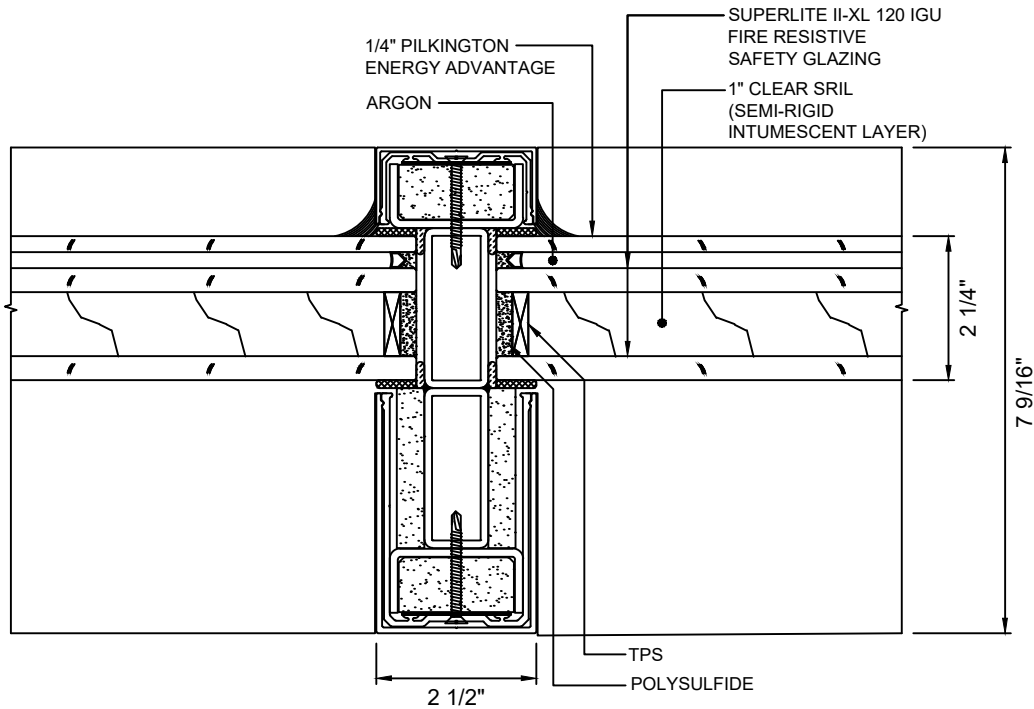
A JAMB DETAIL
6 WITH SUPERLITE II-XL 120 IGU



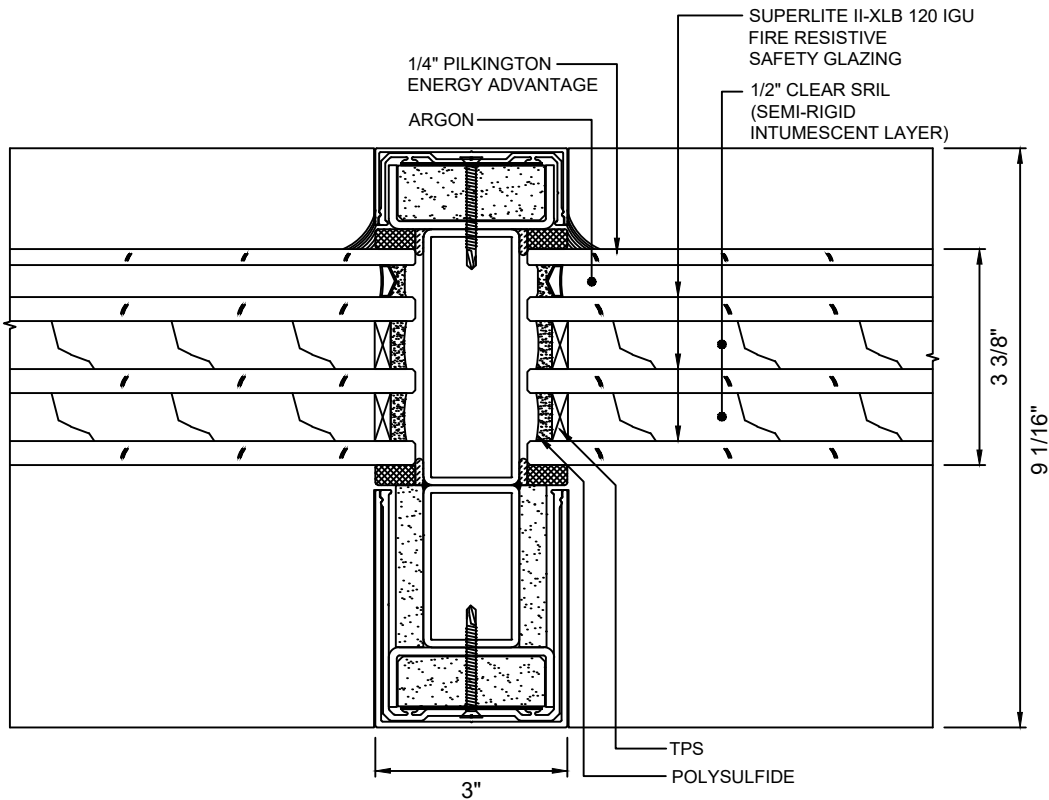
B JAMB DETAIL
6 WITH SUPERLITE II-XLB 120 IGU

GPX CURTAINWALL SYSTEM

120 MINUTE FIRE RESISTIVE CURTAIN WALL



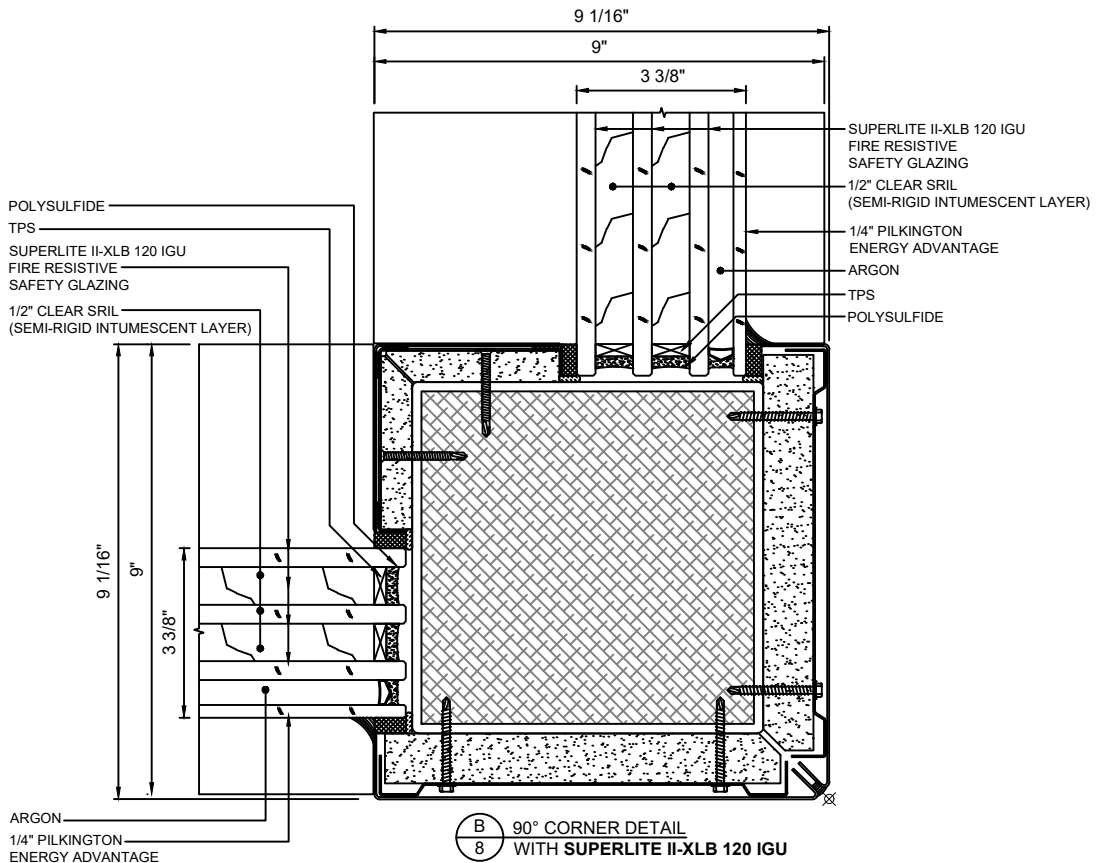
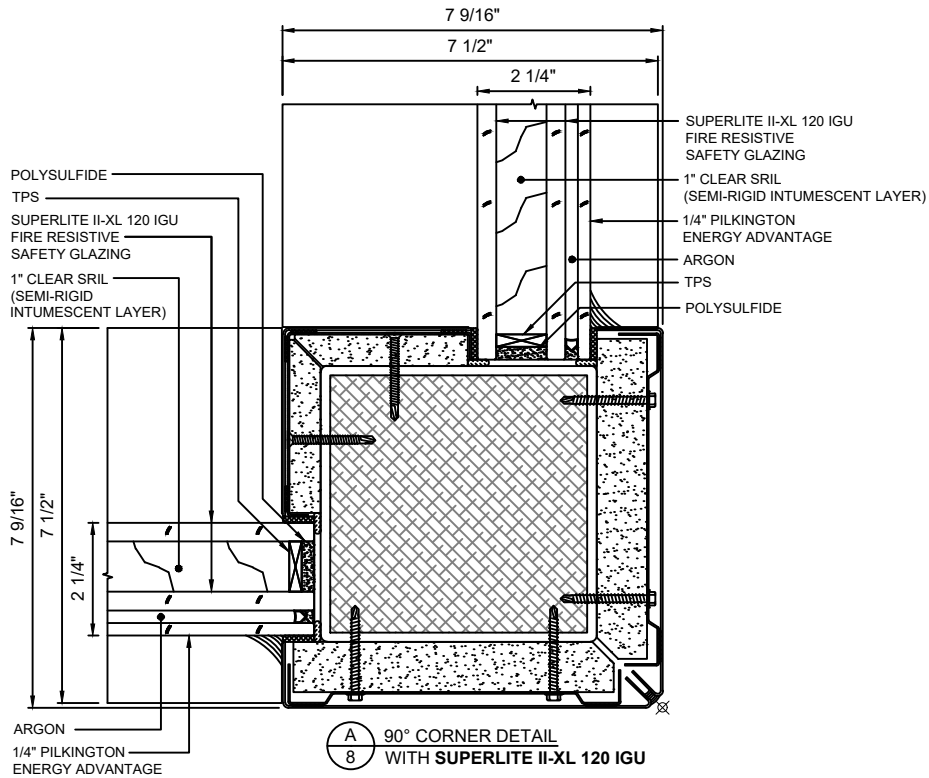
A
7 VERTICAL MULLION DETAIL
WITH SUPERLITE II-XL 120 IGU



B
7 VERTICAL MULLION DETAIL
WITH SUPERLITE II-XLB 120 IGU

GPX CURTAINWALL SYSTEM

120 MINUTE FIRE RESISTIVE CURTAIN WALL

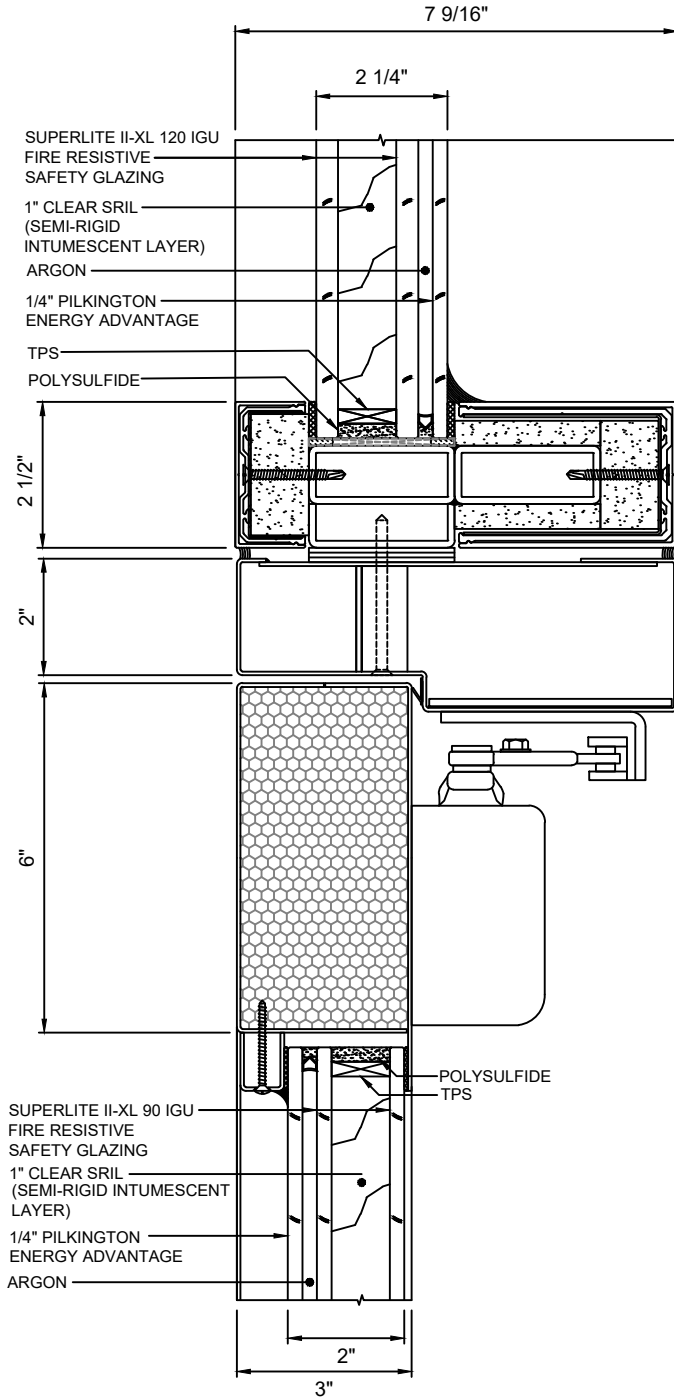


GPX CURTAINWALL SYSTEM

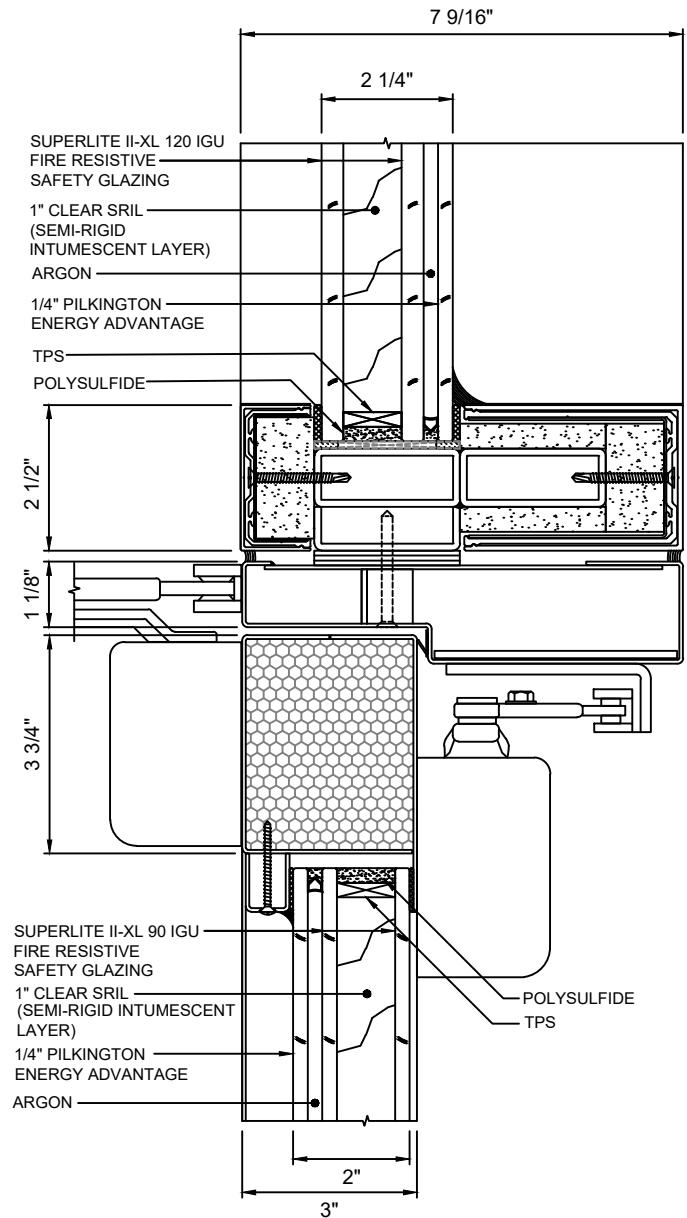
120 MINUTE FIRE RESISTIVE GPX SIDELITES/TRANSOMS WITH 90 MINUTE GPX BUILDERS SERIES TEMPERATURE RISE DOORS

GPX BUILDERS SERIES DOOR STANDARD

GPX BUILDERS SERIES DOOR NARROW STYLE



D DOOR TOP RAIL - STANDARD
9 WITH SUPERLITE II-XL 90 IGU & II-XL 120 IGU



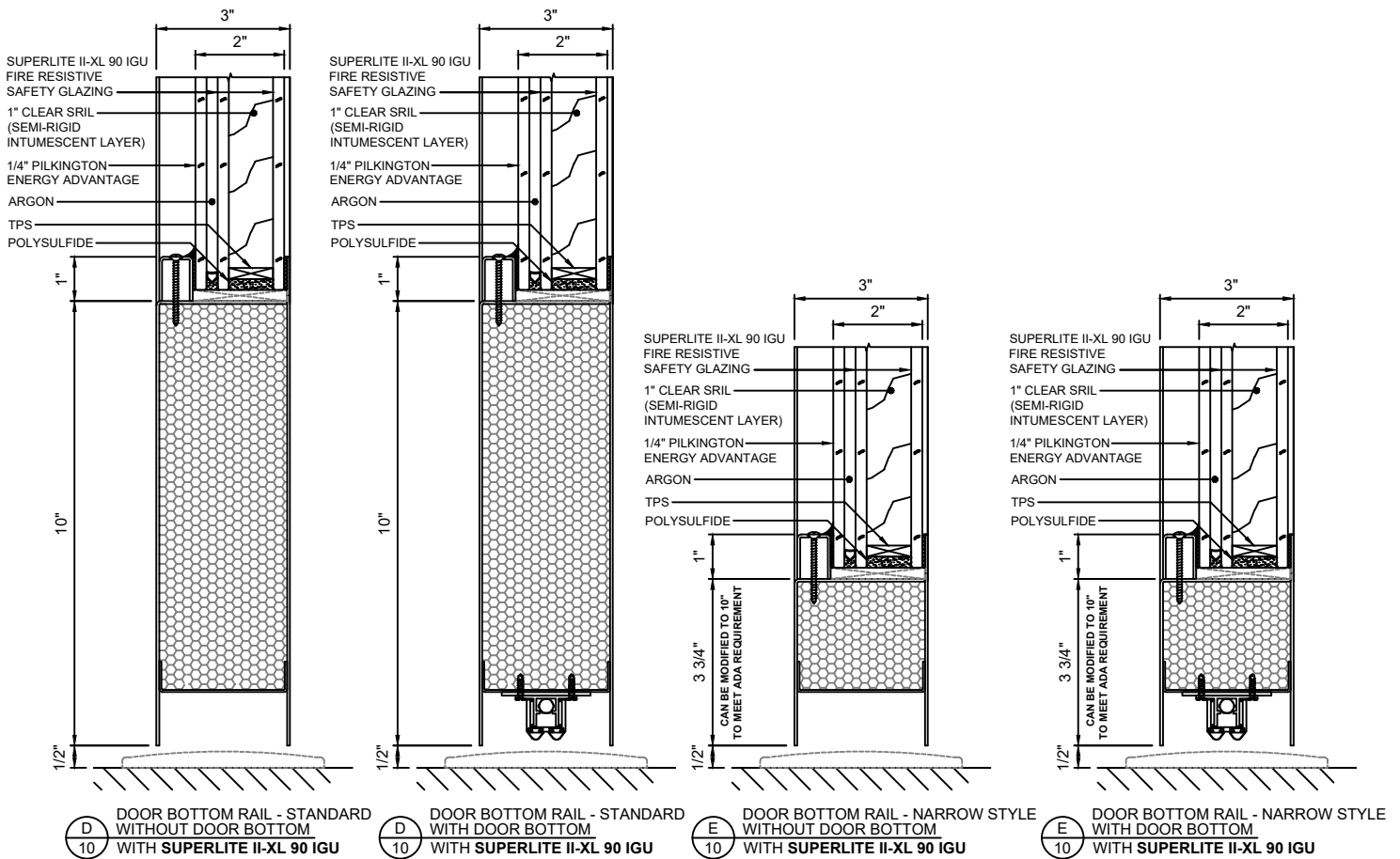
E DOOR TOP RAIL - STANDARD
9 WITH SUPERLITE II-XL 90 IGU & II-XL 120 IGU

GPX CURTAINWALL SYSTEM

120 MINUTE FIRE RESISTIVE GPX SIDELITES/TRANSOMS WITH 90 MINUTE GPX BUILDERS SERIES TEMPERATURE RISE DOORS

GPX BUILDERS SERIES DOOR STANDARD WITH & WITHOUT DOOR BOTTOM

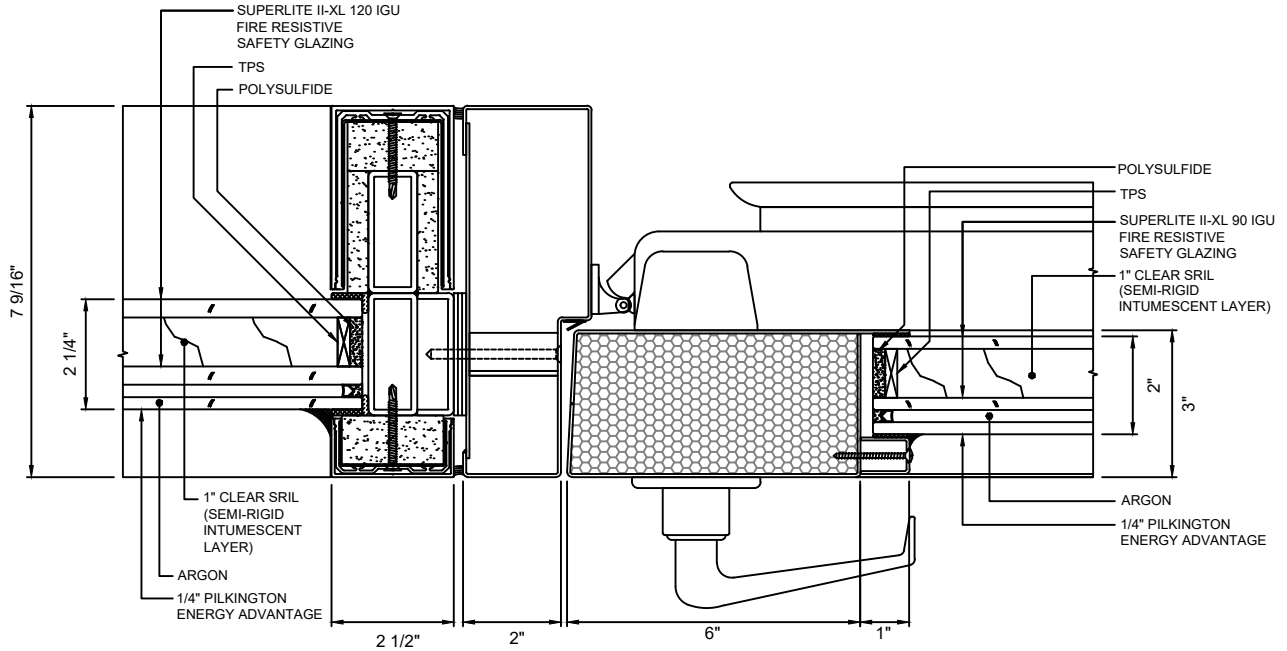
GPX BUILDERS SERIES DOOR NARROW STYLE WITH & WITHOUT DOOR BOTTOM



GPX CURTAINWALL SYSTEM

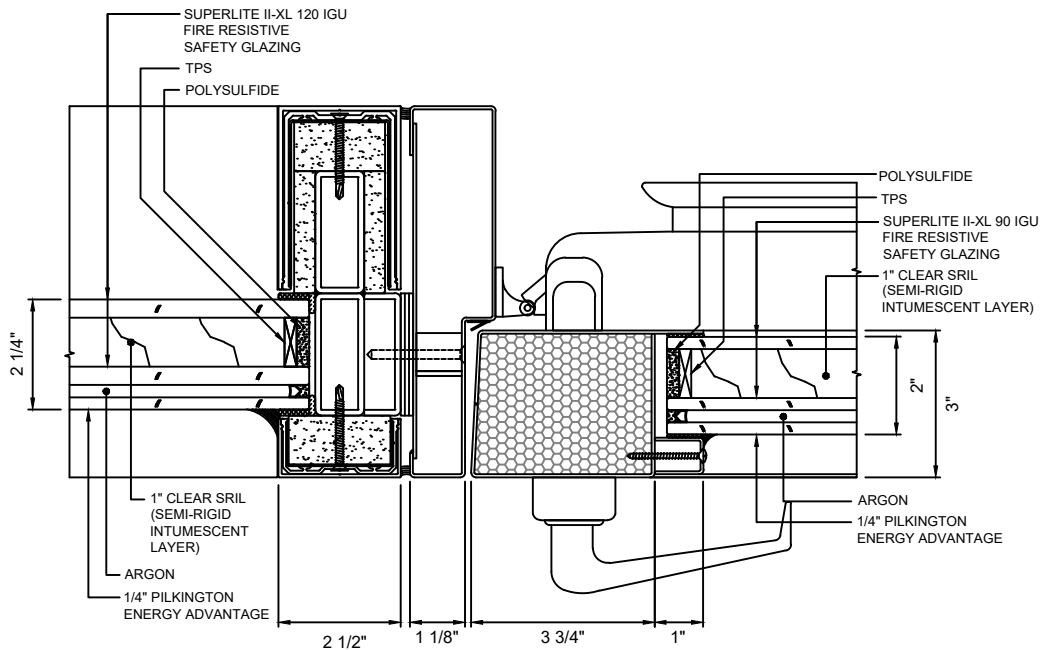
120 MINUTE FIRE RESISTIVE GPX SIDELITES/TRANSOMS WITH 90 MINUTE GPX BUILDERS SERIES TEMPERATURE RISE DOORS

GPX BUILDERS SERIES DOOR STANDARD



(D) DOOR JAMB AT LOCK - STANDARD
11 WITH SUPERLITE II-XL 90 IGU & II-XL 120 IGU

GPX BUILDERS SERIES DOOR NARROW STYLE

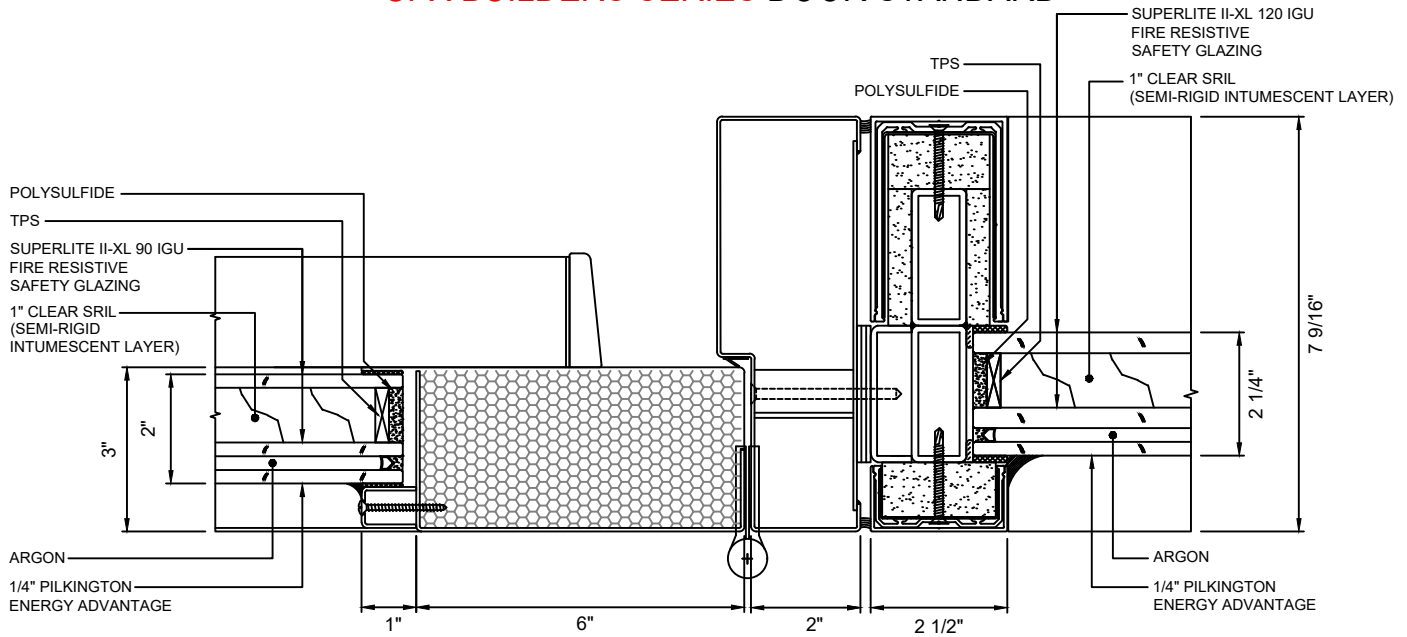


(E) DOOR JAMB AT LOCK - NARROW STYLE
11 WITH SUPERLITE II-XL 90 IGU & II-XL 120 IGU

GPX CURTAINWALL SYSTEM

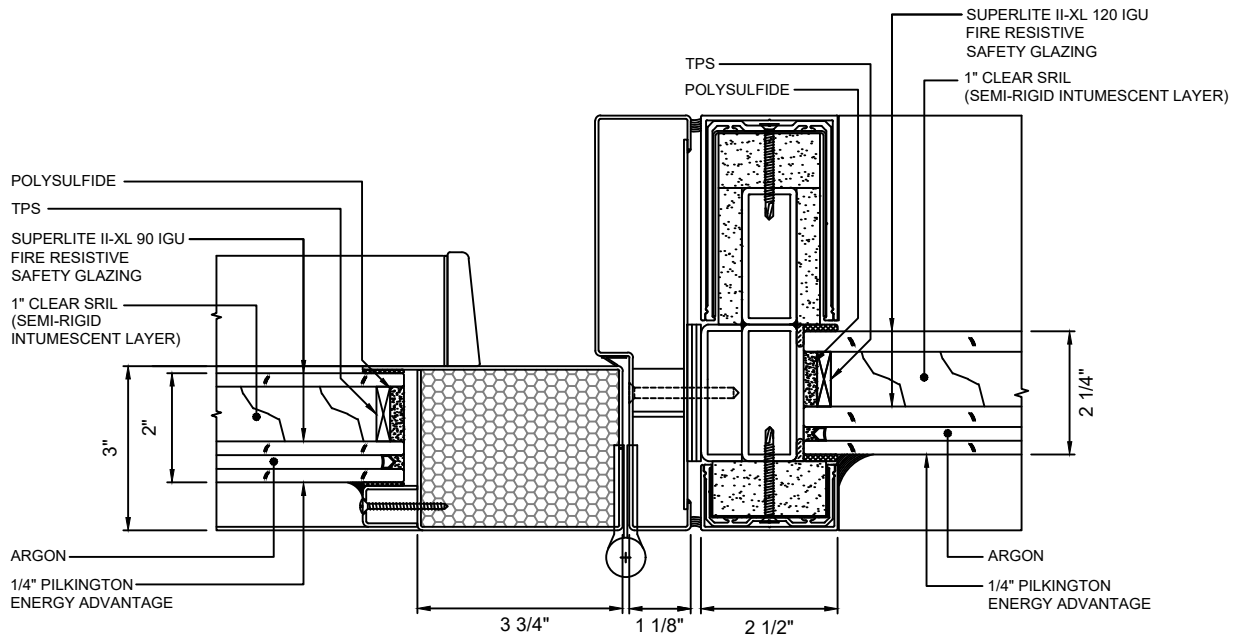
120 MINUTE FIRE RESISTIVE GPX SIDELITES/TRANSOMS WITH 90 MINUTE GPX BUILDERS SERIES TEMPERATURE RISE DOORS

GPX BUILDERS SERIES DOOR STANDARD



D DOOR JAMB AT HINGE - STANDARD
12 WITH SUPERLITE II-XL 90 IGU & II-XL 120 IGU

GPX BUILDERS SERIES DOOR NARROW STYLE

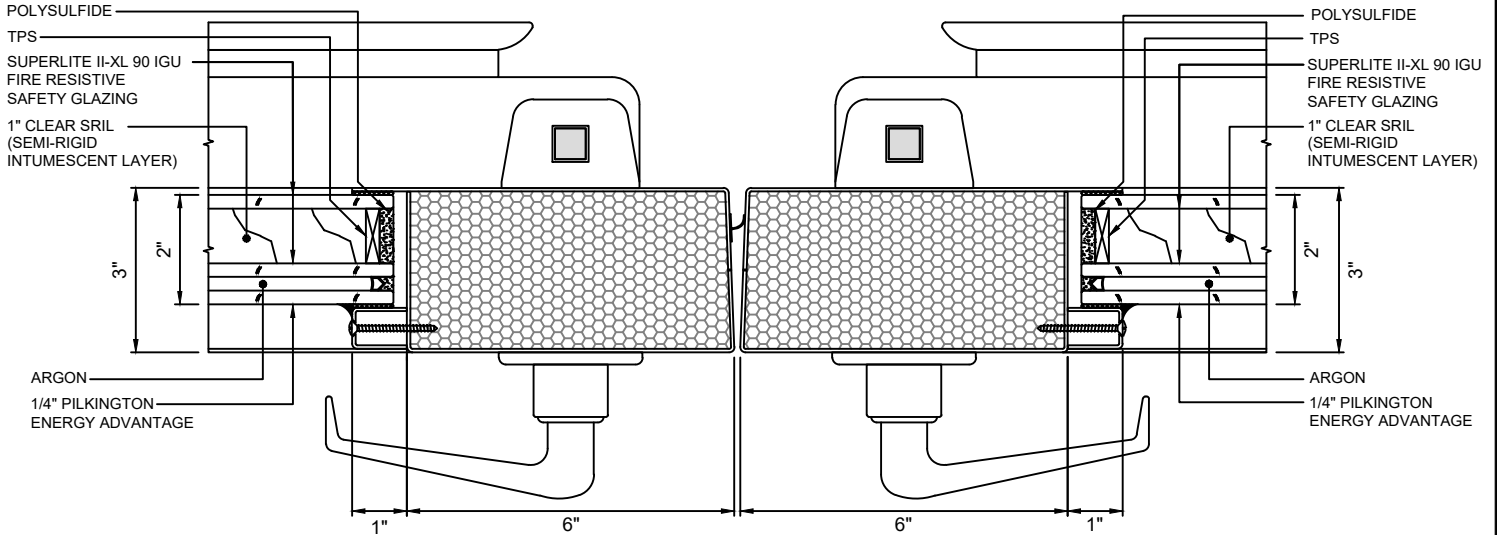


E DOOR JAMB AT HINGE - STANDARD
12 WITH SUPERLITE II-XL 90 IGU & II-XL 120 IGU

GPX CURTAINWALL SYSTEM

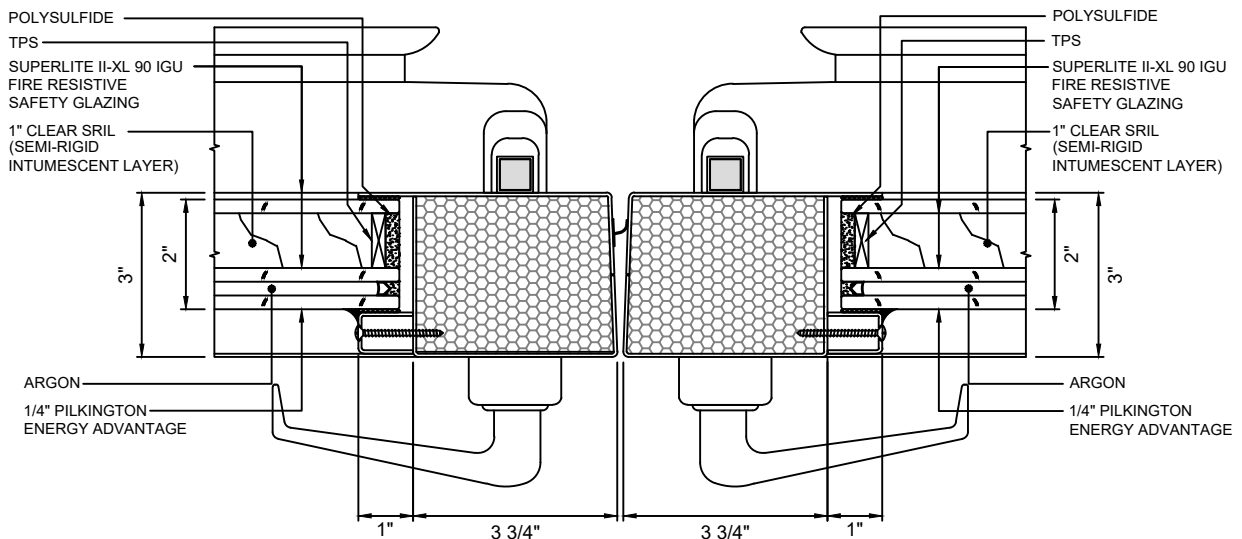
120 MINUTE FIRE RESISTIVE GPX SIDELITES/TRANSOMS WITH 90 MINUTE GPX BUILDERS SERIES TEMPERATURE RISE DOORS

GPX BUILDERS SERIES DOOR STANDARD



D MEETING STILES - STANDARD
WITH SUPERLITE II-XL 90 IGU

GPX BUILDERS SERIES DOOR NARROW STYLE



E MEETING STILES - NARROW STYLE
WITH SUPERLITE II-XL 90 IGU