

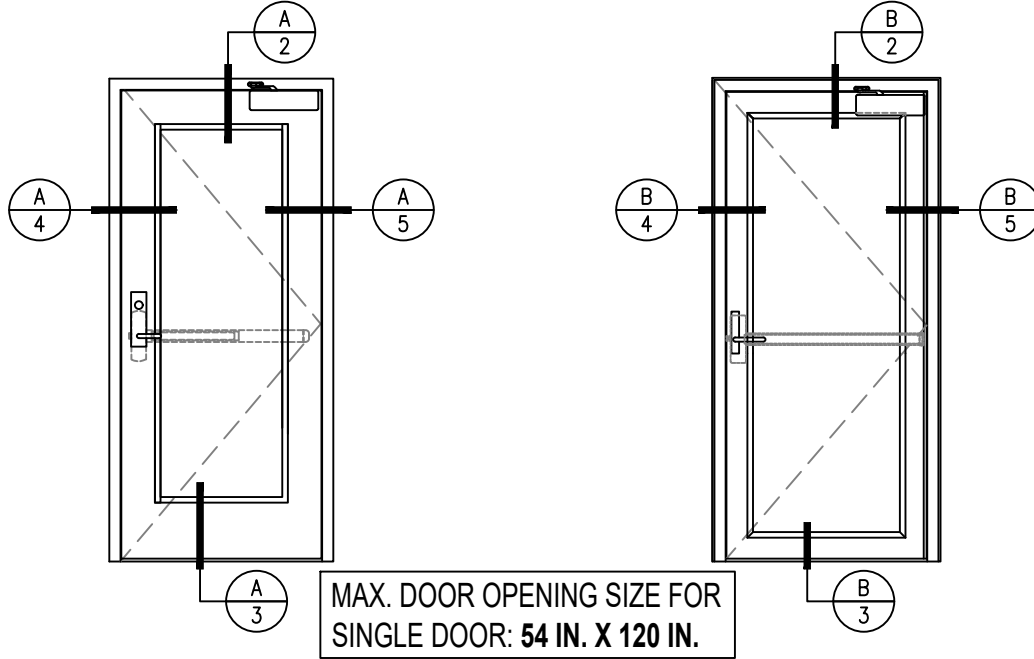
GPX BUILDERS SERIES

20 MINUTE FIRE PROTECTIVE DOORS

GPX BUILDERS SERIES FIRE PROTECTIVE SINGLE DOOR WITH SUPERLITE I-20 IGU

STANDARD (A)

NARROW STYLE (B)

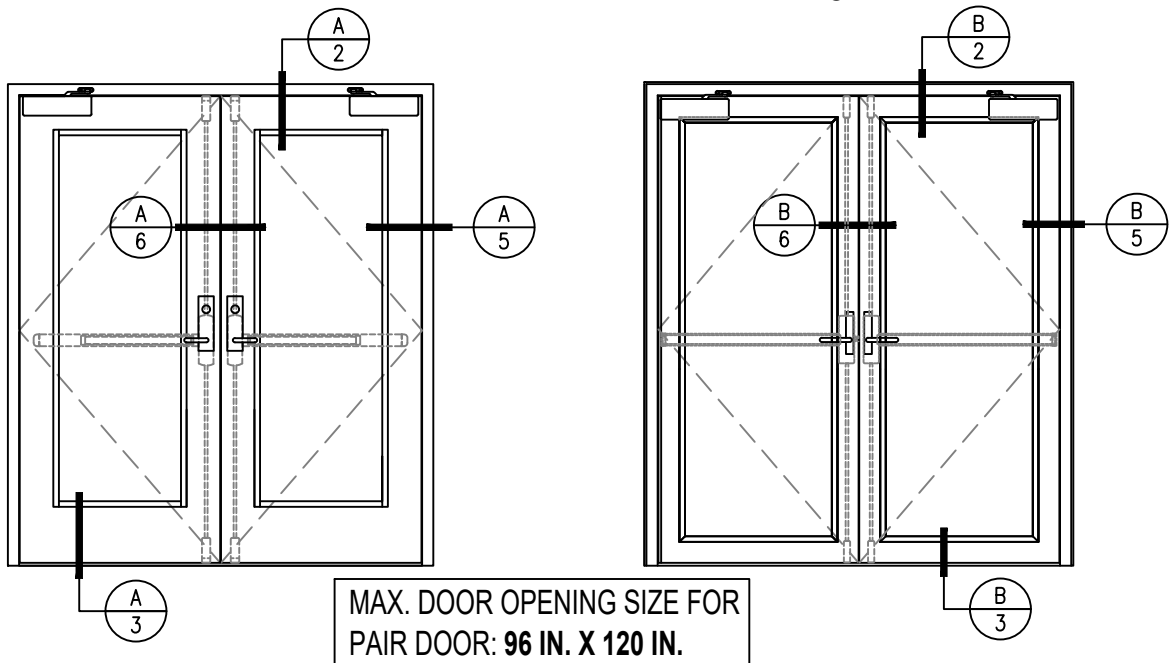


MAX. DOOR OPENING SIZE FOR
SINGLE DOOR: 54 IN. X 120 IN.

GPX BUILDERS SERIES FIRE PROTECTIVE PAIR DOOR WITH SUPERLITE I-20 IGU

STANDARD

NARROW STYLE



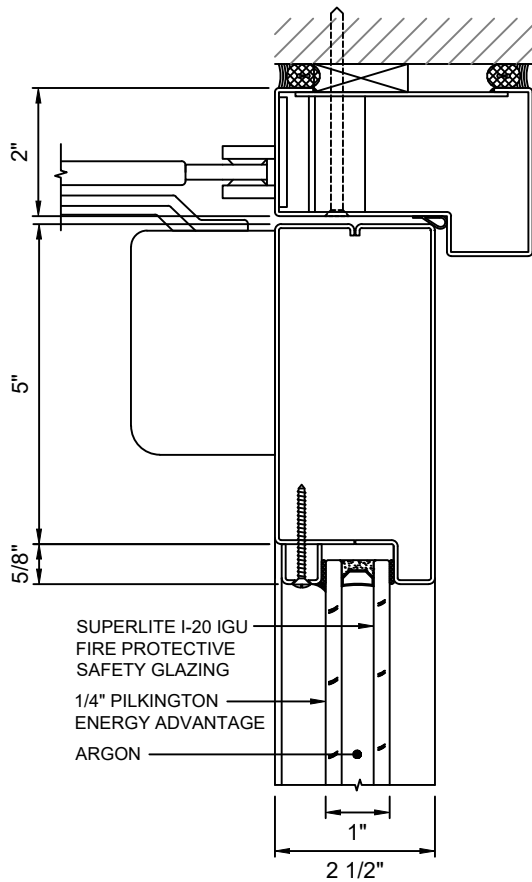
MAX. DOOR OPENING SIZE FOR
PAIR DOOR: 96 IN. X 120 IN.

GPX BUILDERS SERIES

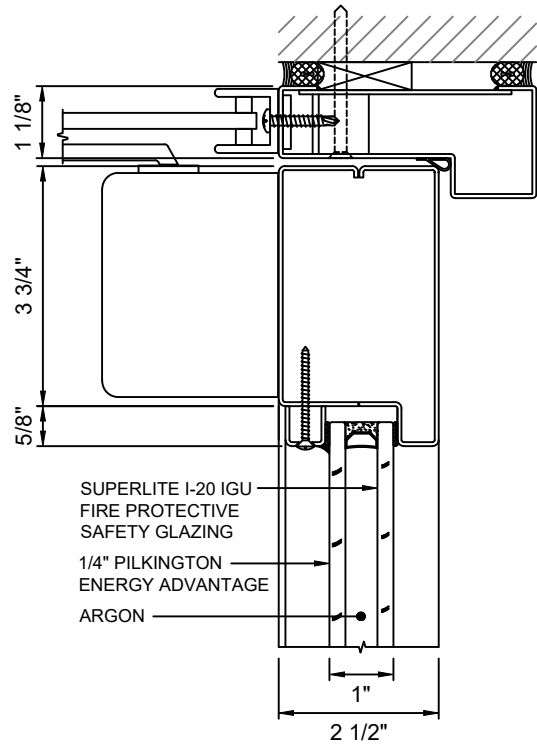
20 MINUTE FIRE PROTECTIVE DOORS

GPX BUILDERS SERIES STANDARD

GPX BUILDERS SERIES NARROW STYLE



A
DOOR TOP RAIL - STANDARD
WITH **SUPERLITE I-20 IGU**



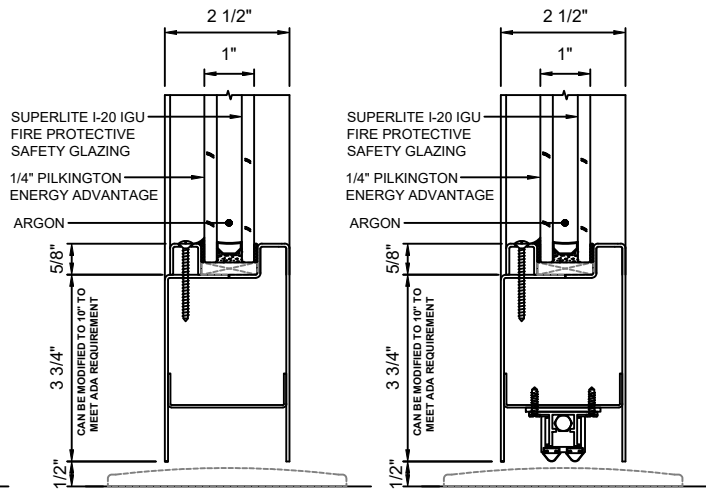
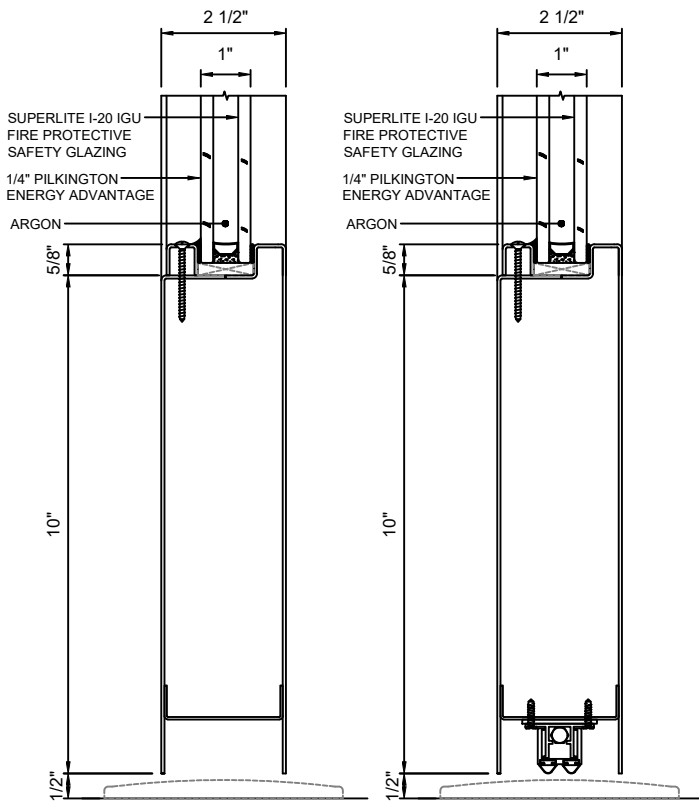
B
DOOR TOP RAIL - NARROW STYLE
WITH **SUPERLITE I-20 IGU**

GPX BUILDERS SERIES

20 MINUTE FIRE PROTECTIVE DOORS

GPX BUILDERS SERIES STANDARD WITH & WITHOUT DOOR BOTTOM

GPX BUILDERS SERIES NARROW STYLE WITH & WITHOUT DOOR BOTTOM



A
3 DOOR BOTTOM RAIL - STANDARD
WITHOUT DOOR BOTTOM
WITH SUPERLITE I-20 IGU

A
3 DOOR BOTTOM RAIL - STANDARD
WITH DOOR BOTTOM
WITH SUPERLITE I-20 IGU

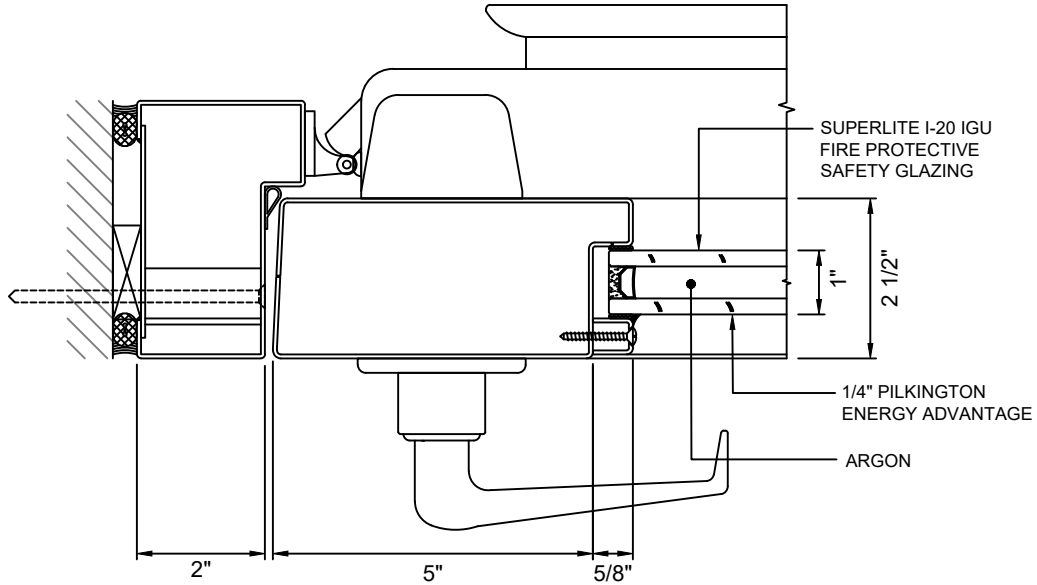
B
3 DOOR BOTTOM RAIL - NARROW STYLE
WITHOUT DOOR BOTTOM
WITH SUPERLITE I-20 IGU

B
3 DOOR BOTTOM RAIL - NARROW STYLE
WITH DOOR BOTTOM
WITH SUPERLITE I-20 IGU

GPX BUILDERS SERIES

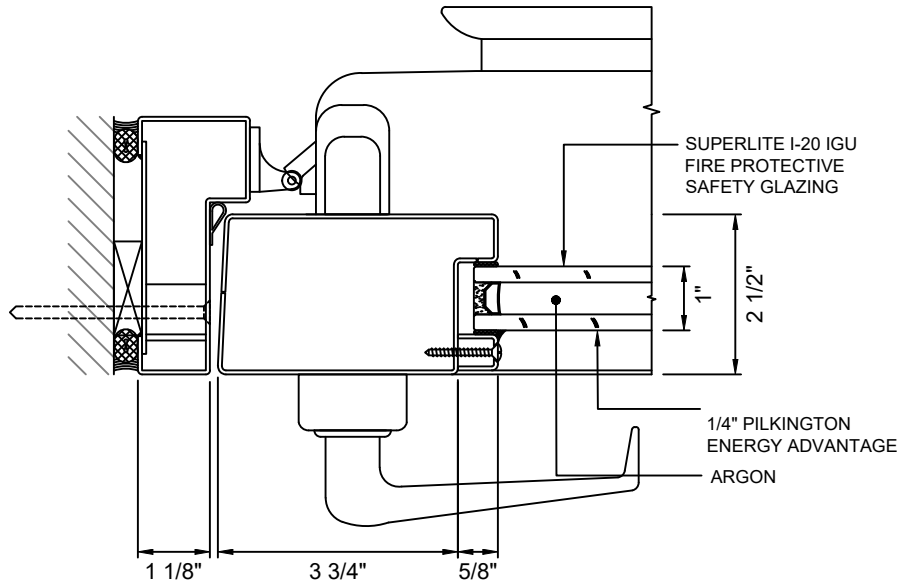
20 MINUTE FIRE PROTECTIVE DOORS

GPX BUILDERS SERIES STANDARD



(A)
4 DOOR JAMB AT LOCK - STANDARD
WITH SUPERLITE I-20 IGU

GPX BUILDERS SERIES NARROW STYLE

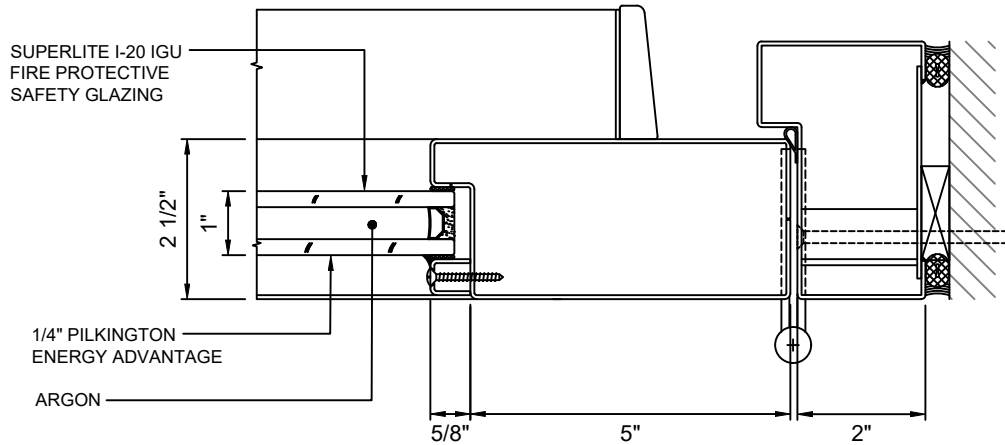


(B)
4 DOOR JAMB AT LOCK - NARROW STYLE
WITH SUPERLITE I-20 IGU

GPX BUILDERS SERIES

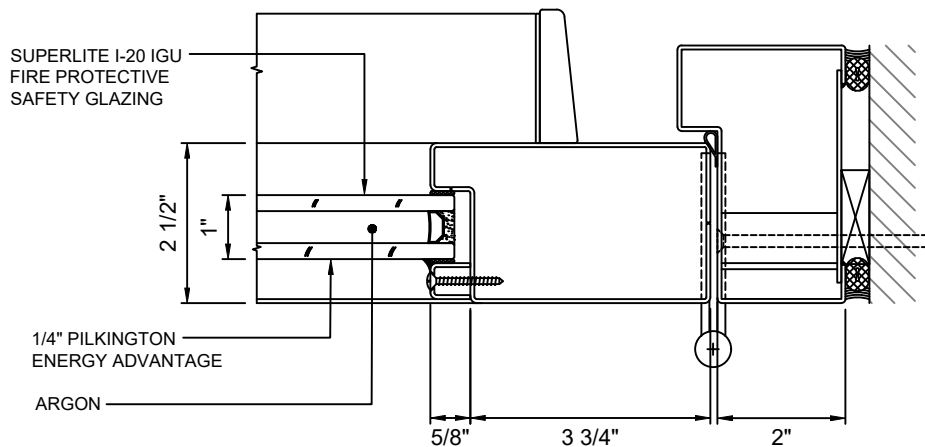
20 MINUTE FIRE PROTECTIVE DOORS

GPX BUILDERS SERIES STANDARD



A DOOR JAMB AT HINGE - STANDARD
5 WITH **SUPERLITE I-20 IGU**

GPX BUILDERS SERIES NARROW STYLE

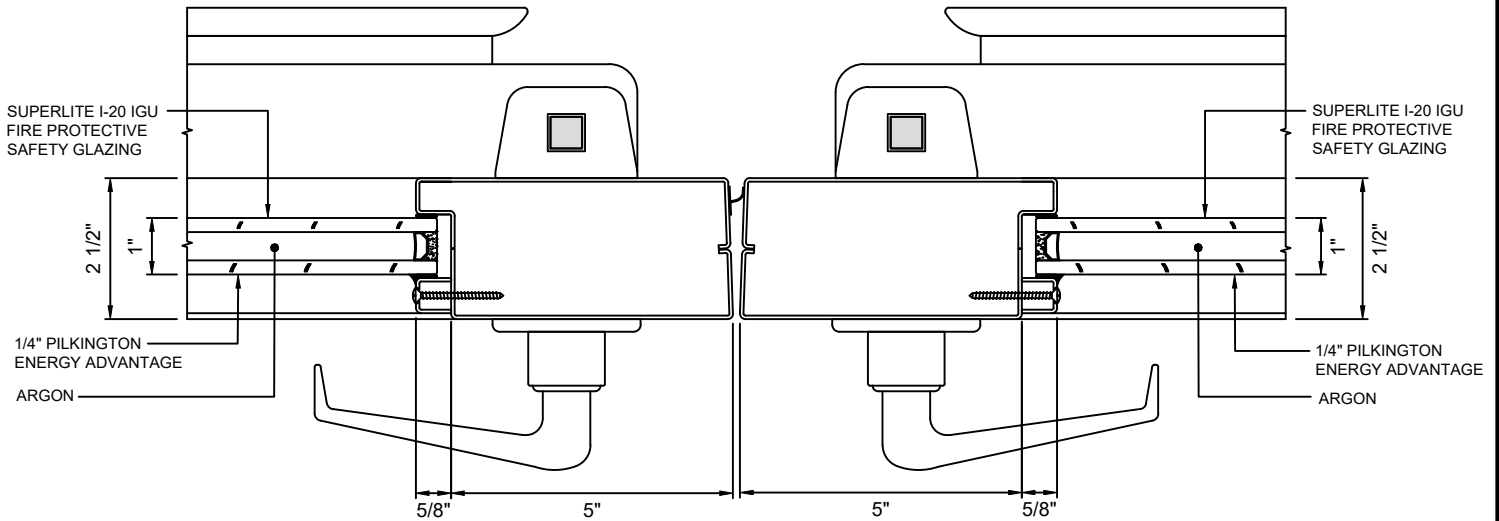


B DOOR JAMB AT HINGE - NARROW STYLE
5 WITH **SUPERLITE I-20 IGU**

GPX BUILDERS SERIES

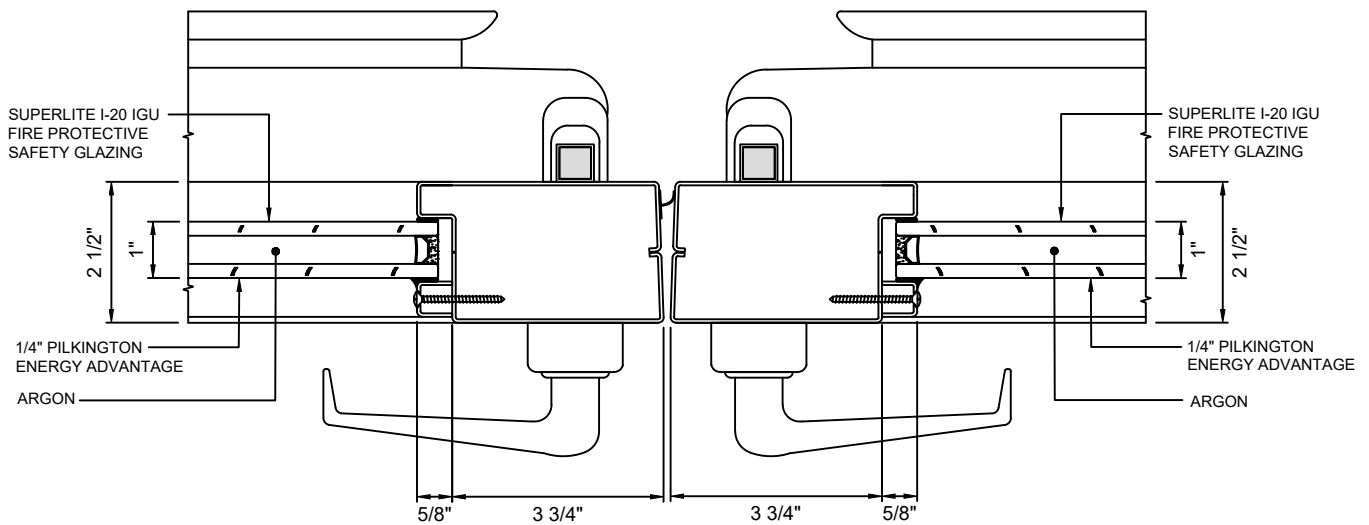
20 MINUTE FIRE PROTECTIVE DOORS

GPX BUILDERS SERIES STANDARD



A MEETING STILES - STANDARD
6 WITH SUPERLITE I-20 IGU

GPX BUILDERS SERIES NARROW STYLE



B MEETING STILES - NARROW STYLE
6 WITH SUPERLITE I-20 IGU