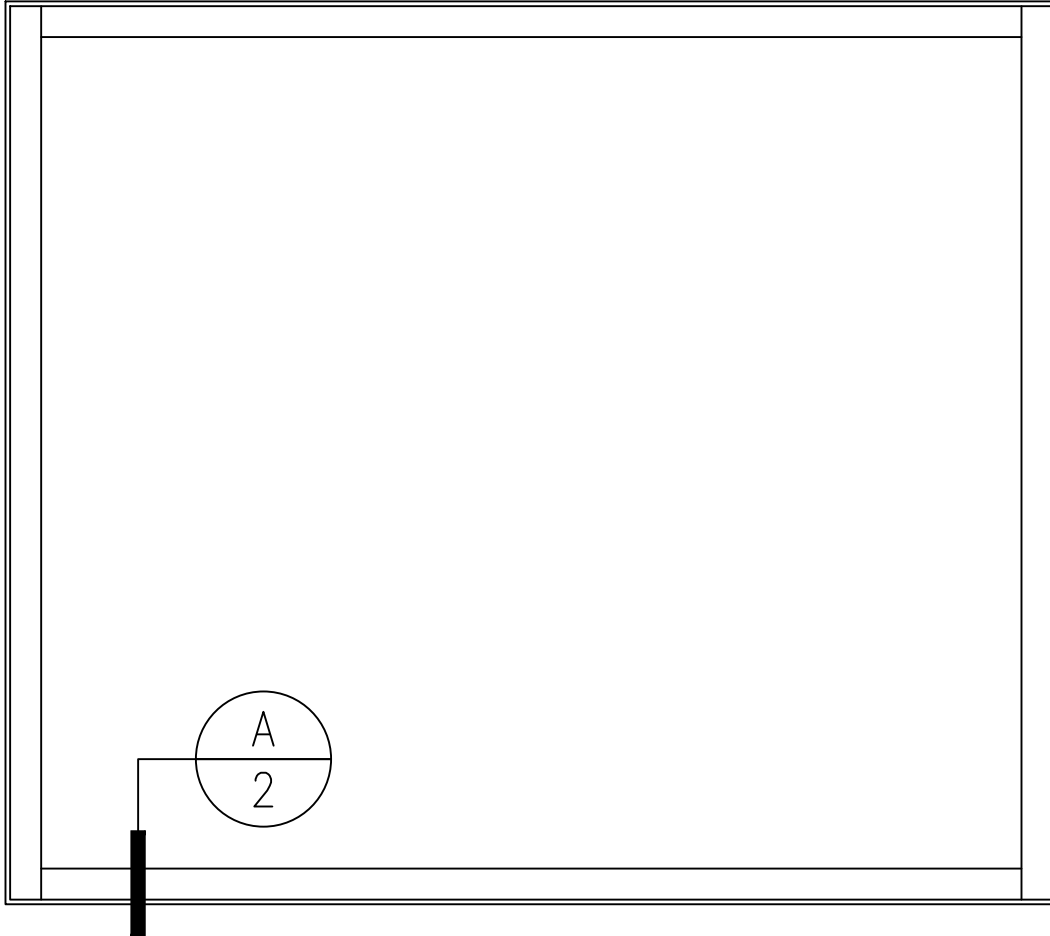


GPX EZ FRAME

45 MINUTE FIRE RESISTIVE OPENING

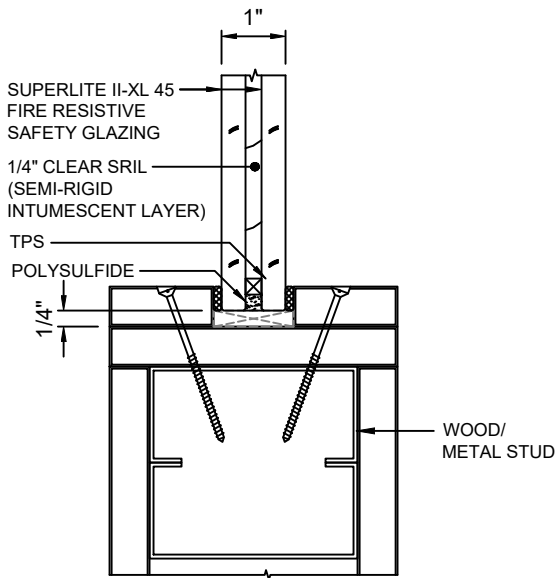
GPX EZ FRAME WITH SUPERLITE II-XL 45



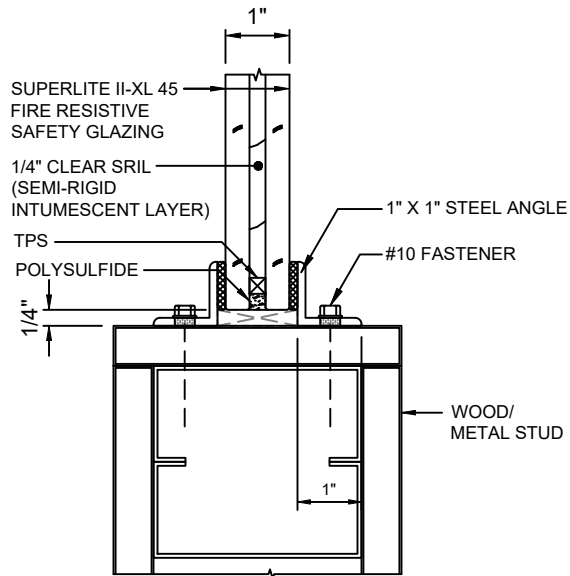
GLASS TYPE
SUPERLITE II-XL 45
(A) MAX. CV AREA PER INDIVIDUAL LITE: **4,952 SQ. IN.**
MAX. CV HEIGHT OR WIDTH PER INDIVIDUAL LITE: **124 IN.**

GPX EZ FRAME

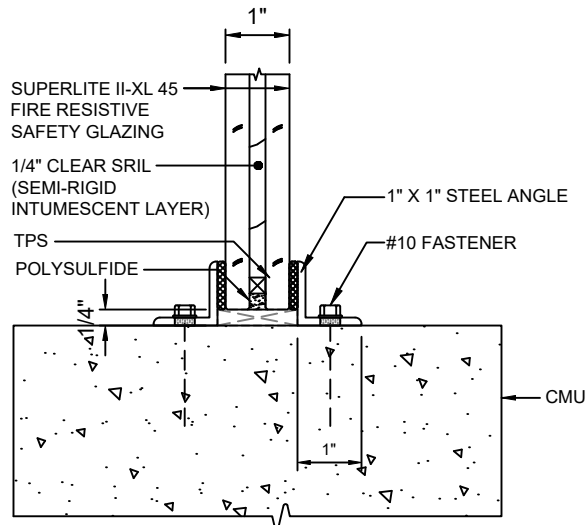
45 MINUTE FIRE RESISTIVE OPENING



A
2.1 SILL DETAIL ON WOOD OR METAL STUD WITH SUPERLITE II-XL 45



A
2.2 SILL DETAIL WITH STEEL ANGLES ON WOOD OR METAL STUD WITH SUPERLITE II-XL 45



A
2.3 SILL DETAIL WITH STEEL ANGLES WITH SUPERLITE II-XL 45