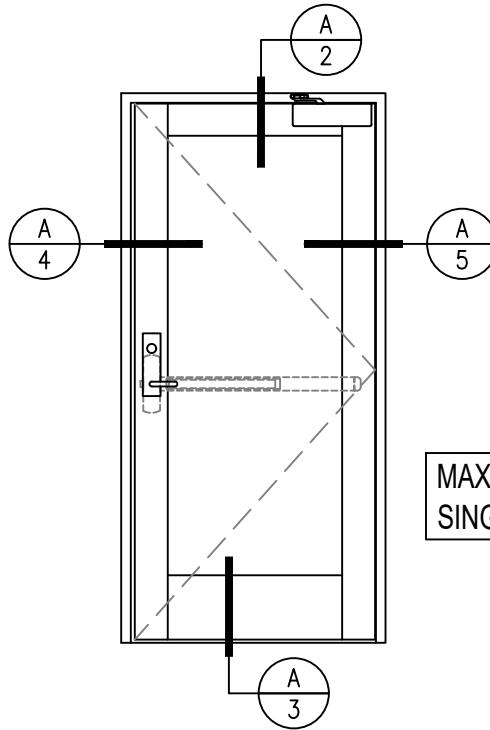


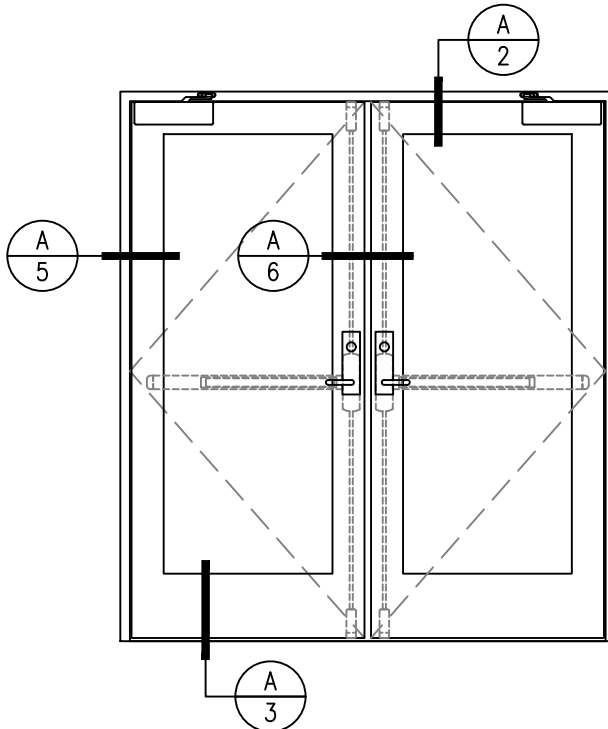
# GPX ARCHITECTURAL SERIES 90 MINUTE FIRE RESISTIVE DOORS

## GPX ARCHITECTURAL SERIES FIRE RESISTIVE SINGLE DOOR WITH SUPERLITE II-XL 90



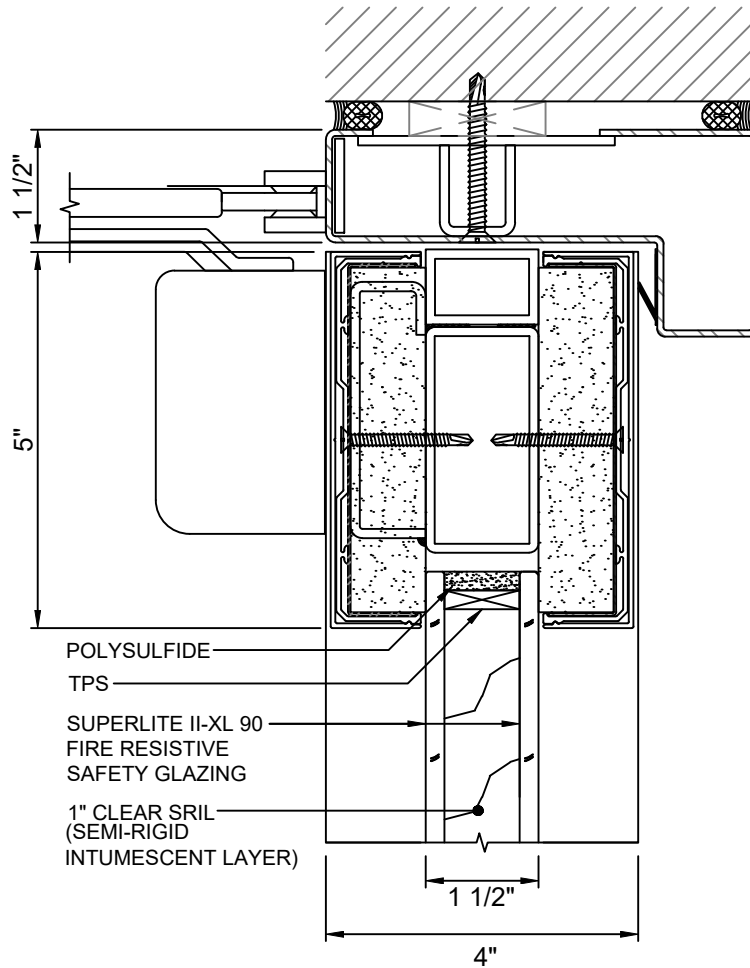
MAX. DOOR OPENING SIZE FOR  
SINGLE DOOR: 48 IN. X 108 IN.

## GPX ARCHITECTURAL SERIES FIRE RESISTIVE PAIR DOOR WITH SUPERLITE II-XL 90



MAX. DOOR OPENING SIZE FOR  
PAIR DOOR: 96 IN. X 106 IN.

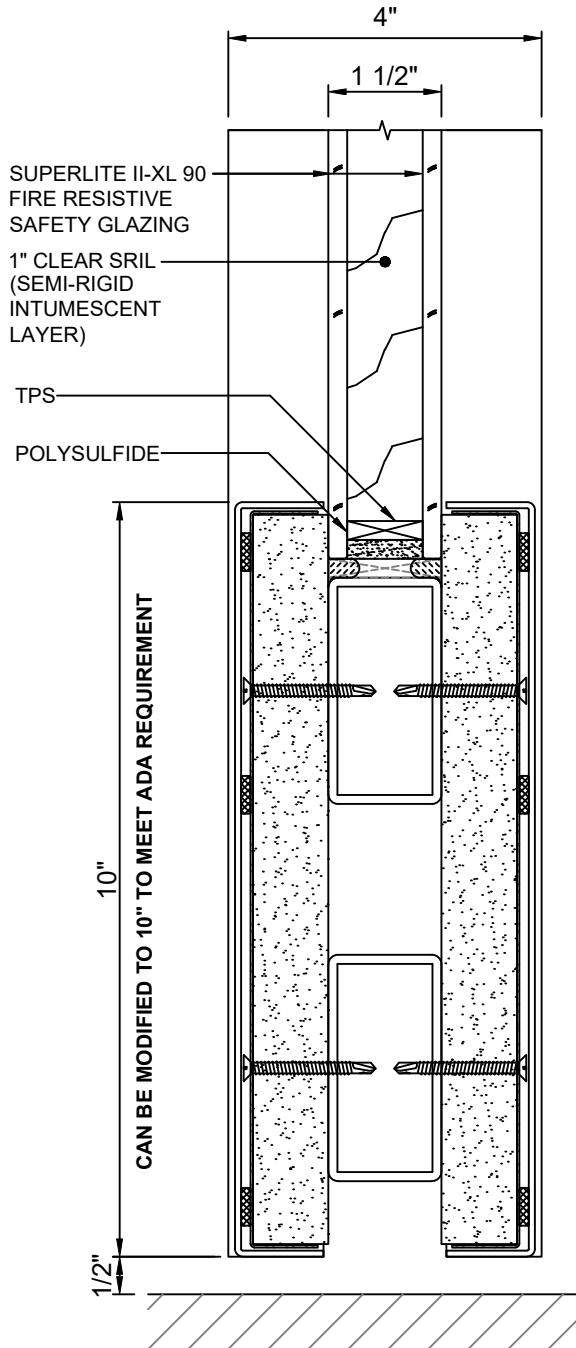
# GPX ARCHITECTURAL SERIES 90 MINUTE FIRE RESISTIVE DOORS



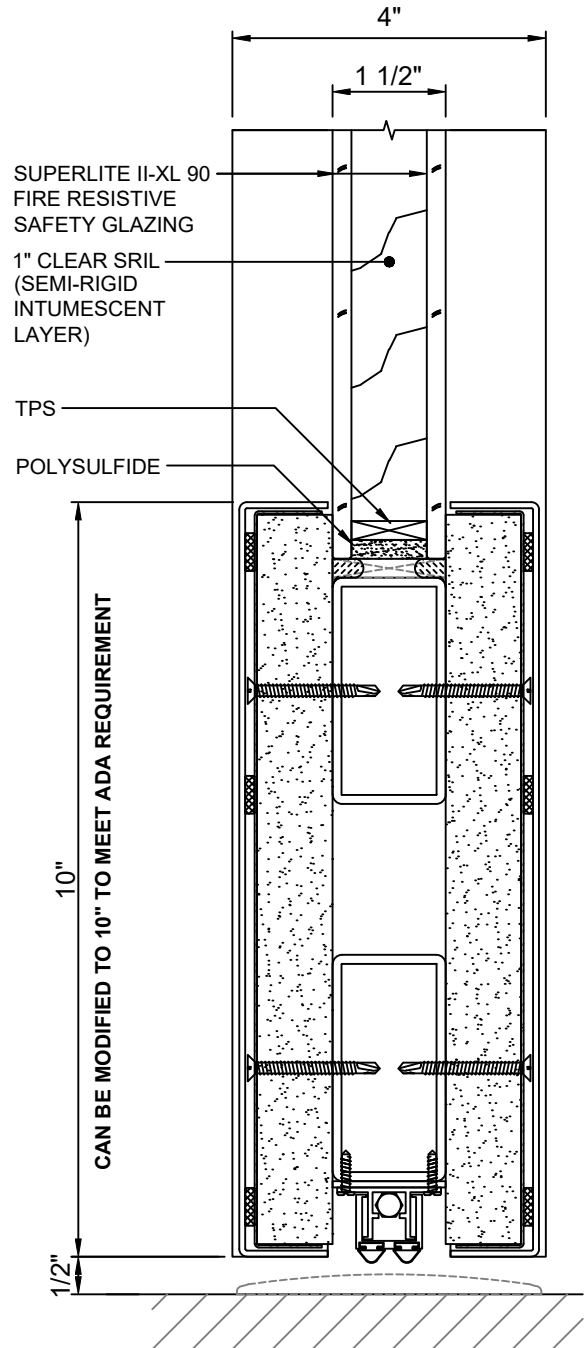
A DOOR TOP RAIL  
2 WITH SUPERLITE II-XL 90

# GPX ARCHITECTURAL SERIES 90 MINUTE FIRE RESISTIVE DOORS

WITH & WITHOUT DOOR BOTTOM



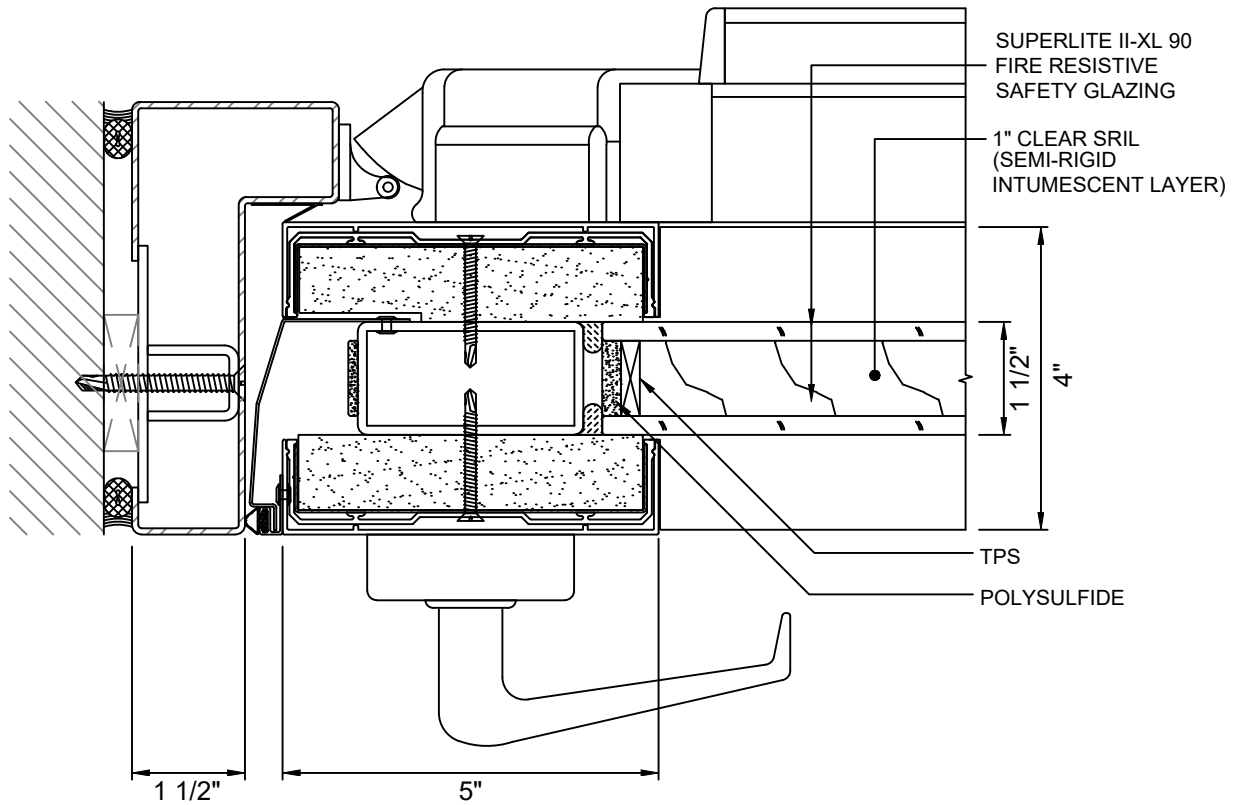
A DOOR BOTTOM RAIL  
3 WITHOUT DOOR BOTTOM  
 WITH **SUPERLITE II-XL 90**



A DOOR BOTTOM RAIL  
3 WITH DOOR BOTTOM  
 WITH **SUPERLITE II-XL 90**

# GPX ARCHITECTURAL SERIES

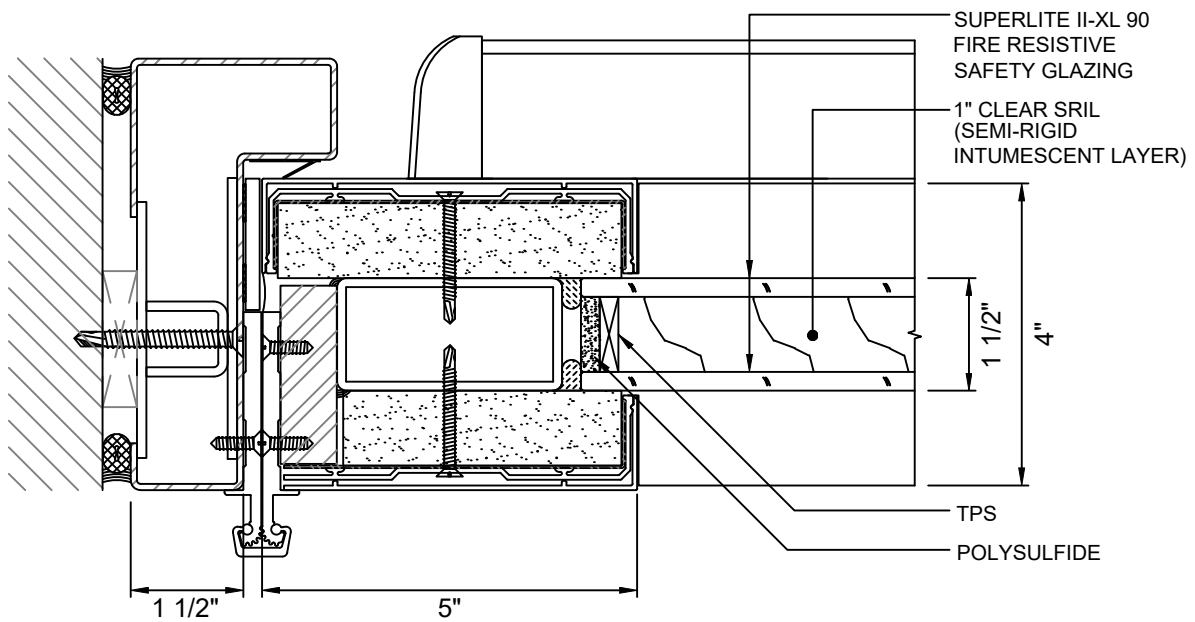
## 90 MINUTE FIRE RESISTIVE DOORS



A DOOR JAMB AT LOCK  
4 WITH **SUPERLITE II-XL 90**

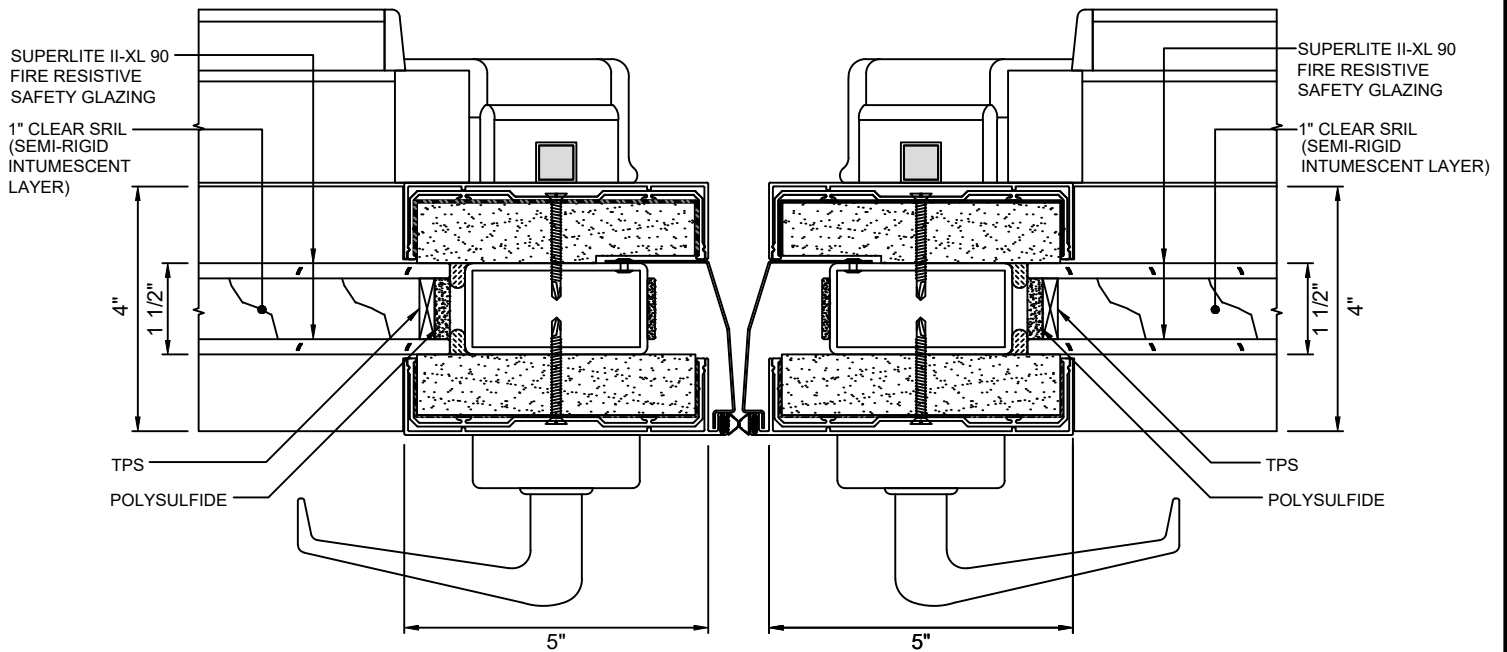
# GPX ARCHITECTURAL SERIES

## 90 MINUTE FIRE RESISTIVE DOORS



A  
5 DOOR JAMB AT HINGE  
WITH SUPERLITE II-XL 90

# GPX ARCHITECTURAL SERIES 90 MINUTE FIRE RESISTIVE DOORS



A MEETING STILES  
6 WITH SUPERLITE II-XL 90